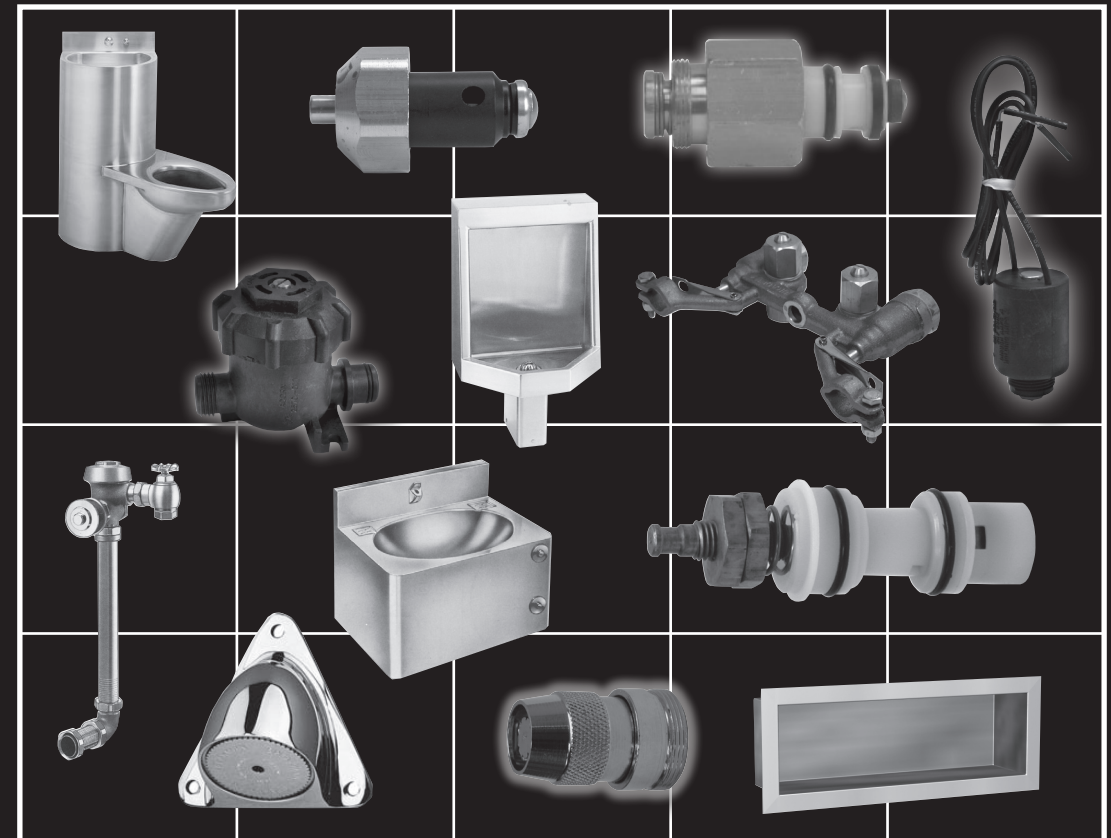


VOLUME 1, NUMBER 1

SECURITY

FIXTURES AND REPAIR PARTS



TOTAL MAINTENANCE SOLUTIONS

Toll Free Telephone: 877/867-8675 • Toll Free Fax: 877/867-8674 • www.tms4parts.com



TOTAL MAINTENANCE SOLUTIONS

TOTAL MAINTENANCE SOLUTIONS TABLE OF CONTENTS

PENAL FIXTURES..... 1-8

Includes products by Acorn Engineering, American Standard, Bradley Corporation, Crane, Eljer, Kohler, Metcraft and Willoughby. Features lavatories and toilets in vitreous china and stainless steel combination units, lavatories, floor and wall mounted toilets, urinals, drinking fountains, showers and detox/floor fixtures.

FITTINGS AND VALVES..... 9

Acorn	9
American Standard.....	22
Bradley Corporation.....	22
Crane Plumbing.....	30
Eljer	31
Metcraft.....	33
Willoughby.....	37

FLUSH VALVES..... 45

Concealed Valves.....	45
Delany	46
Delta Commercial.....	50
Sloan Valve.....	51
Zurn	56
Sloan Valve Programmed Water Technologies (PWT).....	58
I-CON Water Management Systems	59

SHOWER VALVES 61

Acorn Engineering.....	61
Bradley Corporation.....	66
Exposed Shower Valves from American Standard and Central Brass	74
Lawler.....	75
Leonard	76
Powers.....	81
Symmons.....	85
Institutional Showerheads	90

TOOLS 94

WASTE CONNECTIONS 95

Toilet Connections.....	98
Toilet Gaskets.....	99
Traps and Flanges.....	100
Tubular	101

SECURITY ACCESSORIES 103

FASTENERS 105

FOOD SERVICE SAMPLE LISTING 106

OTHER ITEMS AVAILABLE FROM TMS..... 108

INDEX..... 109

TO OUR CUSTOMERS:

We hope you will find this Security Fixtures and Repair Parts Catalog to be an aid in maintaining your facility. If you have any suggestions, or if we have omitted an item you believe should be included please contact us and we will consider it for future versions of the catalog

TERMS AND CONDITIONS



IT'S EASY TO ORDER

Choose the way that's best for you. Phone, FAX, mail, EDI, or place it with your local sales representative. If you don't already have an account, call us for a credit application. Each TMS distributor can be contacted directly by emailing its address found at www.tms4parts.com/contacts.php

Our nationwide TOLL FREE NUMBER: 877-867-8675
Our nationwide TOLL FREE FAX NUMBER: 877-867-8674

OUR TERMS

1% discount 10 days from date of invoice. Net 30 days. Invoices not paid according to terms are subject to a monthly service charge of 1-1/2% per month. (Annual rate 18%)

MINIMUM ORDER

Our minimum order is \$25.00. Orders under \$25.00 are subject to a \$5.00 handling charge.

QUOTATIONS

Write, FAX, phone or email us for a quotation on any item, even those not currently in our catalog. Quotations are good for 45 days. Pricing is in effect at the time of shipment.

RETURNS

Your satisfaction is our desire. You may return merchandise by your sales representative. If this is not convenient we ask that you call for shipping instructions before returning merchandise to us. No returns without an RGA. Non-stock & special order returns are subject to handling and restocking charges.

CLAIMS, DEFECTS AND DAMAGES

We ask that you notify us of shortages or damaged/defective merchandise within 10 days of delivery.

FREIGHT POLICY

Freight is FOB destination on orders over \$200.00. Under \$200.00 freight is pre-paid and added to the invoice. Exceptions include bulk items such as china, drinking fountains and sewer machines. Other items may be included.

SAME DAY SHIPPING

Same day shipping is available on all orders placed by 3 pm EST. Next day and quick shipping are available at customer's cost.

SALES TAX

TMS South is required to charge applicable state and local tax on every item for which a sales tax exemption certification has not been provided. When ordering, please indicate which items are tax exempt.

SPECIAL SERVICES

If you have a special shipping or billing request, please let us know. We will do our best to accommodate your particular needs.

LIMITED WARRANTY

Neither we nor the manufacturer shall be liable for any injury, loss or damage, direct or consequential, arising out of the use or inability to use an item sold by us, but our only obligation in lieu of all warranties expressed or implied, is to replace any item proven to be defective. Before using, the user must determine the suitability of the product for its intended use, and the user assumes all risk in connection therewith.

WARRANTY DISCLAIMER

TMS has made a diligent effort to illustrate and describe the products accurately; however, such illustrations and descriptions are for the sole purpose of identification, and do not express or imply a warranty that the products are merchantable, or fit for a particular purpose, or that the products will conform to the illustrations or depictions. No warranty or affirmation of fact, express or implied, other than that as set forth in the limited warranty statement above is made or authorized by TMS.

EDI (ELECTRONIC DATA INTERCHANGE)

If you would like to do business electronically, please let us know. We can receive purchase orders, and send acknowledgements and invoices electronically. We can also provide bar coded movement documents. Please call us to get us test transmissions.

MATERIAL SAFETY DATA SHEETS (MSDS)

Safety data sheets for all chemicals and related products sold by TMS South are available upon request.

SATISFACTION GUARANTEED

We're not happy until you're happy! If you're not, contact us immediately.



*Any reproduction in whole or part, or any unauthorized use without the express permission of TMS is prohibited and will constitute a violation of the copyright laws of the United States.
© TMS (Total Maintenance Solutions), April 2010*

WHAT IS TMS?

TMS is a group of strategically located MRO distributors in the United States who have combined their resources to bring unparalleled product knowledge and unbeatable service to our customers. Our depth of regional experience, inside and out, allows us to give our customers exactly what they need quickly and easily. You will speak directly to an experienced service representative, not an order taker. We take the time to understand your unique regional problems and help to find efficient, superior Total Maintenance Solutions (TMS) for your projects. If you're looking for the expertise of an industry leading national supplier you can trust to provide you with the right materials at the right time, look no further than TMS.





CRANE PARVUS
 14"x13" institutional lavatory w/ 5" high back, integral supply channel to spout/drinking nozzle.
 Model 1604
 Specify 1-1/4 or 1-1/2 IPS outlet connection

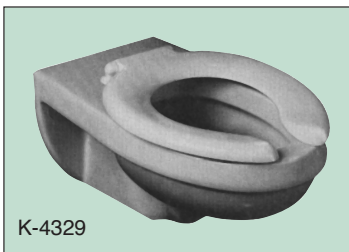
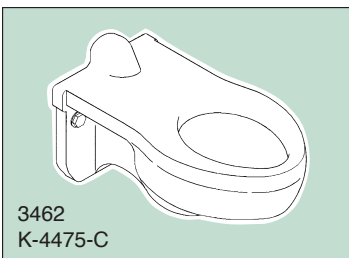


KOHLER CHARDON LAVATORY
 14"X12" WALL-MOUNT LAVATORY
 Integral bubbler and soap dish. Integral slow draining outlet.
 Model K-2475



AMERICAN STANDARD PRISON LAVATORY
 14"x12-3/4" wall mount fixture. Integral spout, bubbler, and soap depression.
 Model 0421.018

Specify fixtures with or without valves



VITREOUS CHINA TOILETS BY KOHLER, CRANE & AMERICAN STANDARD FLOOR OR WALL MOUNTED WITH OR WITHOUT INTEGRAL SEATS

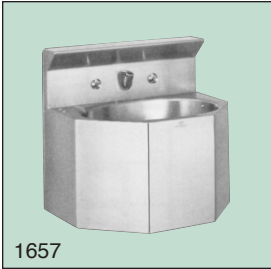
Manufacturer	Model #	Description
American Standard	2531.016	Vitreous china, floor mount , back spud, wall outlet, integral seat.
Crane	3481	Vitreous china, floor mount , elongated bowl, siphon jet toilet, back spud w/ integral seat.
Crane	31082	Vitreous china, floor mount , elongated bowl, siphon jet toilet, back spud w/ integral seat, 17-1/4" high bowl. (ADA)
Crane	3462	Vitreous china, wall mount , elongated bowl, blowout (3-bolt) flush toilet, back spud with integral seat.
Kohler	K-4475-C	Vitreous china, wall hung , elongated bowl, blowout flush (3-bolt) rear spud, w/ integral seat.
Kohler	K-4329	Vitreous china, wall hung , elongated bowl, siphon jet (4-bolt), backspud (seat not included)
Kohler	K-4398	Vitreous china, floor mount , elongated bowl, rear spud w/ integral seat.
Kohler	K-4396	Vitreous china, floor mount , elongated bowl, rear spud. (Seat not included).

FOR INFORMATION OR ROUGH IN SPECIFICATIONS PLEASE CALL.

TOTAL MAINTENANCE SOLUTIONS
STAINLESS STEEL
 FIXTURES – ACORN ENGINEERING



Features: Seamless welded construction.
 No accessible voids for concealment.
 Can use Air-Trol valves using metering or non-metering pneumatic systems.



LAVATORIES
 MODEL # DESCRIPTION
 1657 18" Multi-Sided lavatory w/ oval bowl, s/s with satin finish. Fast drain, integral soap dish & mounting hardware for up to 8" walls included.
 1660-1661 13" Corner lavatory, s/s with satin finish, oval bowl. Fast drain, integral soap dish & mounting hardware for up to 8" walls included.



LAV-TOILET COMBINATIONS
 Features: Cabinets made from stainless steel and are of seamless welded construction with satin finish. Cabinets are sound deadened with fire-resistant material. No voids or crevices for concealment of contraband. Air-Trol metering and non-metering valves available for use with combo units. Front or Rear access, varying bowl styles available.
 MODEL # DESCRIPTION
 1415 15" Lav-Toilet combo. Toilet has elongated bowl, can be centered or offset and is blowout jet type.



TOILETS & URINALS
 Features: Fixtures made of S/S with seamless welded construction, w/ satin finish. No accessible voids or crevices for concealment of contraband.

MODEL # DESCRIPTION
 1679 Compact wall mount blowout toilet w/ elongated bowl & integral seat.
 1680 Siphon jet wall mount toilet w/ elongated bowl & integral seat.
 1684 Siphon jet floor mount toilet w/ elongated bowl & integral seat.
 1675 Blowout jet, off floor toilet with elongated bowl.
 1685 Blowout jet floor mount toilet w/ elongated bowl & integral seat.
 1700 Blowout jet urinal back wall washdown type w/ fully enclosed P-trap.
 1702 Washout urinal back wall washdown type. Fully enclosed P-trap.
 1705 Straddle blowout jet urinal, w/ fully enclosed P-trap.
 1707 Straddle washout urinal, w/ fully enclosed P-trap.

Model 1420

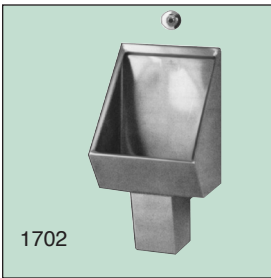


1418 18" Lav-Toilet combo. Toilet has elongated bowl, can be centered or offset and is blowout jet type.
 1420 20" Lav-Toilet combo. Toilet has elongated bowl, can be centered or offset and is blowout jet type.
 1435 ADA compliant Lav-Toilet combo. Offset toilet bowl.
 1440 18" Suicide resistant Toilet-Lav combo. Toilet has elongated bowl and is blowout jet type.

Model 1415



Model 1435



Model 1440



DRINKING FOUNTAINS
 MODEL # DESCRIPTION
 1672 Barrier Free wall mounted fountain. Seamless welded construction w/ satin finish. Uses Air-Trol pneumatic valve, non-metering, self-closing. Dimensions 13"x 18"x 4"

Other Models Available – Call For Information

Toll Free Telephone: 877/867-8675 • Toll Free Fax: 877/867-8674
www.tms4parts.com



Features: Seamless welded construction.
No accessible voids for concealment.
Can use Air-Trol valves using metering or non-metering pneumatic systems.



CABINET SHOWER

Features: Fixtures made from stainless steel and are of seamless welded construction with satin finish. Shower floor has a slip resistant, matte finish. Cabinet has an integral vent. Shower head is mounted on inside door jamb with concealed piping. Other options available.
MODEL #1730



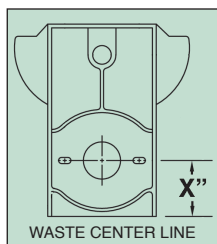
PENAL-PAK WALL SHOWER FRONT ACCESS

Shower panel is fabricated from 14 gauge, type 304 stainless steel and has a satin finish. Trim is stainless steel or chrome-plated brass. Shower valve is Air-Control, metering, nonhold open type. Other options available.
MODEL #1741FA

FLOOR-MOUNTED TOILETS

Wall outlet, back-spud, integral seat

VITREOUS CHINA		
MANUFACTURER/ MODEL	WASTE CENTER LINE "X"	FEATURES
American Standard 2531.016	4-1/4"	
Crane 3481	4-1/2"	Regular height bowl
Crane 31082	4-1/2"	Handicap height bowl – ADA
Kohler K-4398	4-1/2"	



STAINLESS STEEL		
MANUFACTURER/ MODEL	WASTE CENTER LINE	FEATURES
Acorn 1684	5-1/2"	Siphon Jet
Acorn 1685	11-1/4"	Blowout Jet
Bradley 7335	13-1/4"	Blowout Jet – ADA
Bradley 7445	7-1/2"	Siphon Jet
Metcraft 4120	11-1/4"	Blowout Jet
Metcraft 4170	5-1/4"	Siphon Jet
Willoughby ETW-1490-FM-BS	11-1/2"	Blowout Jet
Willoughby ETWS-1490-FM-BS	5-1/2"	Siphon Jet



FLOOR-MOUNTED TOILETS

Floor mounted, floor outlet, back-spud, integral seat

STAINLESS STEEL		
MFG/MODEL	WASTE	FEATURES
Acorn 1695	4-1/4"	Siphon Jet
Bradley WC7455FM	10"	Siphon Jet
Metcraft 4140	4-1/4"	Siphon Jet
Willoughby FTF-1490-FM-85	4-1/4"	Siphon Jet



WALL-MOUNTED TOILETS

Wall outlet, back-spud, integral seat

VITREOUS CHINA (Carrier mounted)	
MFG/MODEL	FEATURES
Crane 3462	Blowout Jet, 3-bolt
Kohler K-4475-C	Blowout Jet, 3-bolt



STAINLESS STEEL (Can use with carrier or wall sleeve)

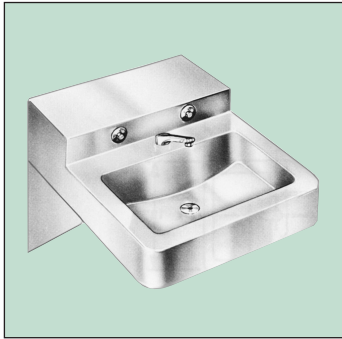
MANUFACTURER/ MODEL	FEATURES
Acorn 1675	Blowout Jet
Acorn 1679	Compact Blowout Jet
Acorn 1680	Siphon Jet
Bradley WC7230	Blowout Jet
Bradley WC7245	Siphon Jet
Metcraft 4110	Blowout Jet
Metcraft 4160	Siphon Jet
Willoughby ETW-1490-CM-BS	Blowout Jet
Willoughby ETWS-1490-CM-BS	Siphon Jet
Willoughby LFCETW-1490-OF-BS	4-bolt China Replacement



TOTAL MAINTENANCE SOLUTIONS
STAINLESS STEEL
 FIXTURES – BRADLEY CORPORATION



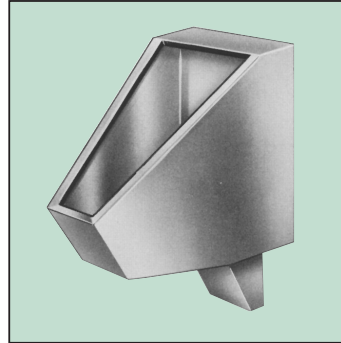
Features: Fixtures made of S/S with satin finish, all accessible seams and voids eliminated. Interior of cabinet contains fire-resistant sound deadening material. Specify manual or pneumatic valves.



Model 6577

LAVATORIES

MODEL #	DESCRIPTION
6577	S/S lavatory, 14-1/2" x 9-1/2" x 5" deep, deck mounted spout. Rear deck is 5". Single or two temperature valves.
6578	Same as above but with an 8" rear deck.
6350	S/S front mounted lavatory, 13-1/4" x 10" x 5" deep. Penal filler/bubbler, integral soap dish. Single or two temperature valves.



TOILETS & URINALS

Features: Fixtures made of S/S with seamless welded construction, w/ satin finish. No accessible voids or crevices for concealment of contraband.

MODEL #	DESCRIPTION
7335	Floor mount toilet w/ elongated bowl & integral seat. Meets ADA. Toilet is blow-out jet type.
7180	Wall mounted toilet w/ elongated bowl & integral seat. Toilet is blowout jet type.
8200	S/S blowout jet straddle type urinal. Features four wall flushing. Fully enclosed P-trap.



Model 6350



LAV-TOILET COMBINATIONS

Features: Fixtures made from S/S and are of seamless welded construction with satin finish. Cabinets are sound deadened with fire-resistant material. No voids or crevices for concealment of contraband. Front or Rear access, varying bowl styles available. Specify manual or pneumatic valves.

MODEL #	DESCRIPTION
5580	S/S Lav-Toilet combo w/ offset elongated bowl, penal filler and bubbler. Lav bowl 13-1/4" x 10" x 5"
5590	S/S Lav-Toilet combo w/ centered elongated bowl, penal filler and bubbler. Lav bowl 13-1/4" x 10" x 5"
5180	S/S Barrier Free Lav-Toilet combo w/ offset elongated bowl, deck mounted spout. Lav bowl 13-1/4" x 10" x 5"

Other Models Available — Call For Information

Toll Free Telephone: 877/867-8675 • Toll Free Fax: 877/867-8674
www.tms4parts.com



TOTAL MAINTENANCE SOLUTIONS

TOTAL MAINTENANCE SOLUTIONS STAINLESS STEEL FIXTURES – METCRAFT

METCRAFT



LAVATORY

S/S back mounted lavatory w/ 4" backsplash and integral soap tray. Polished to a satin finish. Welded bottom enclosure. Dimensions 18" x 12-1/2"
Model # 5118



DRINKING FOUNTAIN

S/S back mounted drinking fountain w/ 4" backsplash. Polished to a satin finish. Vandal resistant bubbler. Integrally welded bottom enclosure. Pneumatic valve w/ .5 GPM restrictor.
Model # 5190



TOILET-LAVATORY COMBINATIONS

S/S Lav-Toilet combo. Offset elongated bowl with integral seat. Seamlessly welded to form one piece. Blowout flushing action, fully enclosed trap. Oval basin w/ fast drain and soap dish.
Model # 3118



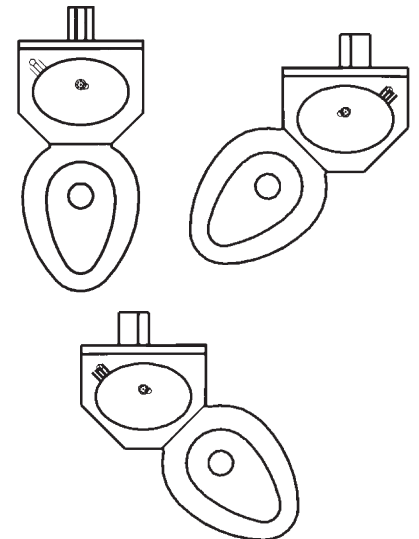
TOILETS

S/S wall mounted toilet w/ elongated bowl, blowout type. Integral seat, seamlessly welded to form a one piece vandal resistant unit. Fully enclosed trap.
Model # 4110 Back spud
4115 Top spud



URINALS

S/S wall hung washdown urinal. Seamlessly welded to form one piece. High volume beehive strainer. Vandal resistant trap enclosure.
Model # 7110 Back spud
7115 Top spud

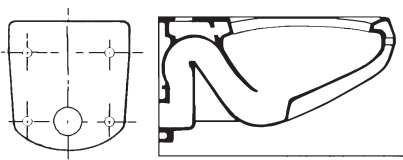


Toilet-Lavatory Combos Centered, Offset Left & Right

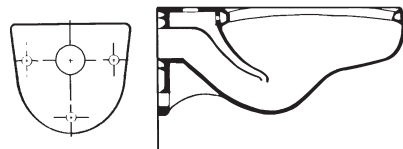
SIPHON JET or BLOWOUT WHAT'S THE DIFFERENCE??

Siphon Jet toilets attach to wall with 4 bolts, are quieter than blowout. Water enters the bowl via the rim and up let of trap through jets placed to fill the trapway, thus creating siphonic action to evacuate the bowl.

Blowout toilets attach to wall with 3 bolts, are suited for heavy use areas. Flushing action produced by the jet of water in the outlet passage is strong for rapid evacuation of the bowl. Due to powerful flushing action this type is noisy to operate.



Siphon Jet Model



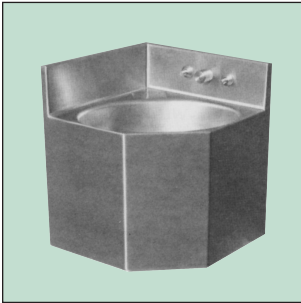
Blowout Model

**LOOKING TO
REPLACE BROKEN,
CHIPPED OR DAMAGED
CHINA FIXTURES?
CONSIDER S/S
REPLACEMENT.
SEE PAGE 7
FOR INFORMATION.**

TOTAL MAINTENANCE SOLUTIONS
STAINLESS STEEL
 FIXTURES – WILLOUGHBY



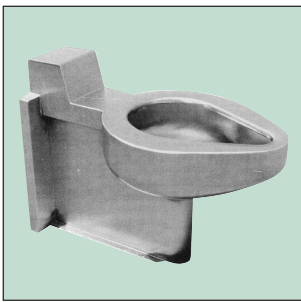
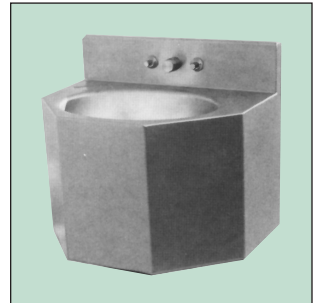
Willoughby



LAVATORIES

S/S lavatories w/ 13" x 9-1/2" x 6" oval bowl, S/S penal filler/bubbler, integral soap dishes, seamlessly welded, with sound deadening fire retardant insulation. Specify manual or pneumatic valves.

MODEL #	DESCRIPTION
CS-1013-46R	S/S lavatory designed for in corner installations. Right side supply. CS-1013-46L left side supply.
HS-1013	S/S lavatory wall mounted, features listed above.



TOILETS

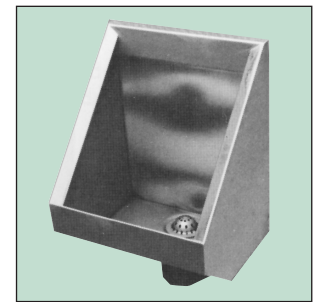
S/S floor mount and compact wall mount toilets. Elongated bowl, seamless all-welded construction. Units available in blowout and siphon jet models.

MODEL #	DESCRIPTION
ETW-1490OF	S/S wall mount blowout toilet, back spud
ETWS-1490OF	S/S wall mount siphon jet toilet, back spud
ETW-1490C	S/S floor mount blowout toilet, back spud
ETWS-1490-FM	S/S floor mount siphon jet toilet, back spud

URINALS

S/S wall hung urinals w/ satin finish, fully enclosed P-trap. Interior insulated w/ fire retardant sound deadening material.

MODEL #	DESCRIPTION
1814	S/S blowout urinal, back spud
1814WB	S/S washout urinal, back spud
UW-1836-MPT-BS	S/S trough urinal, back spud, 36"
1860WB	S/S trough urinal, back spud, 60"

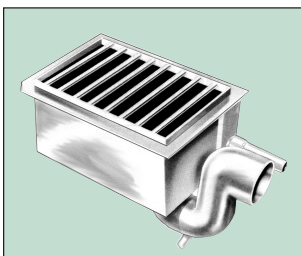
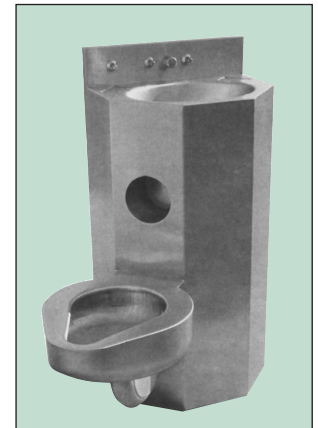


TOILET-LAVATORY COMBINATIONS

S/S combination units with elongated bowls, integral seats, 13" x 9-1/2" x 6" lavatories. S/S penal filler/bubblers, self-draining, integral soap dish. Fully enclosed s/s P-trap, sound deadening, fire retardant insulation. Specify manual or pneumatic valves.

MODEL #	DESCRIPTION
1546	S/S toilet-lav combo, 15" wide cabinet, centered elongated bowl.
1846	S/S toilet-lav combo, 18" wide cabinet, centered elongated bowl.

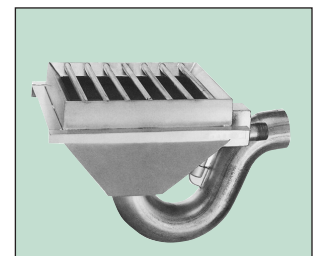
Units are available with Center, Right & Left offset toilets.



DETOX/FLOOR FIXTURES

In floor toilets for use in detoxification & isolation cells. These function as flushing floor drains, facilitating cell area washdowns. Feature S/S all welded construction, smooth ground edges. No accessible seams or voids.

BRAND	MODEL #	DESCRIPTION
Acorn	1699	In floor toilet, w/ flange
Bradley	7500	In floor toilet w/ flange
Metcraft	4500	In floor toilet, w/ flange
Willoughby	1400	In floor toilet, w/ flange



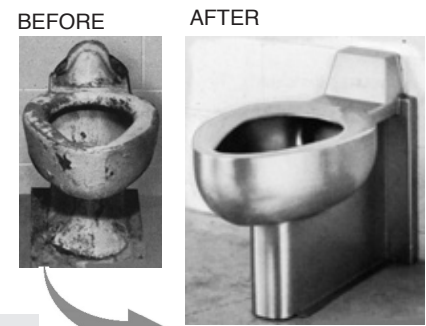
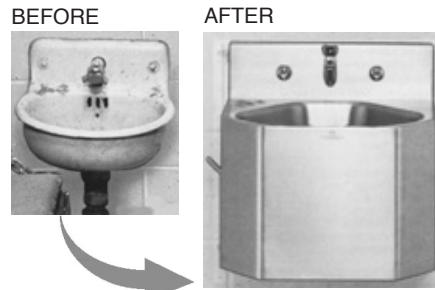


TOTAL MAINTENANCE SOLUTIONS

TOTAL MAINTENANCE SOLUTIONS

REPLACEWARE

FOR DAMAGED VITREOUS CHINA & ALUMINUM FIXTURES



Replace cracked, broken or corroded fixtures with Durable & Sanitary Stainless Steel Replaceware.

MAKE	MODEL	REPLACES	DESCRIPTION
ACORN	1415	Super Secure A-350, M-350, SA-350-DW A-150, A-154, A-157, M-150, M-154, SA-150, SA-150-DW, A-150F, A-151F	15" Lav-Toilet Combo replacement, S/S seamlessly welded, std. elongated bowl, blowout jet type toilet, lavatory bowl. 12-3/4" x 8-1/4" x 5" deep.
ACORN	1418	Super Secure A-350, M-350, SA-350, SA-350-DW, A-150, A-154, A-157, M-150, M-154, SA-150, SA-150-DW, A-150-F	18" Lav-Toilet Combo replacement, S/S seamlessly welded, std. elongated bowl, blowout jet type, lavatory bowl. 14-3/4" x 9-1/2" x 5" deep.
ACORN	1659	Super Secure Taylor A-50 & M-50, American Standard - Prison 0420 & 0430, Crane - Parvus 1-600, Kohler K-2475, Eljer - Gowanda 051-3467	15" Compact lavatory S/S multi-sided bowl, metering or non-metering valves, fast drain, integral soap holder, 1-1/4" elbow waste. 12-3/4" x 8-1/4" x 5" deep.
ACORN	1657	SAME AS ABOVE MODEL 3325	18" Multi-Sided Lavatory, specifications same as above
ACORN	1675	Super Secure - Walbol A-300, Amer. Std.- Instanto 2512, 2511, 2513, Crane - Rapidway 3-460, 3-462, 3-464, Eljer - Tacoma 111-0355, 111-0365, Kohler - K-4450-ET, K-4460-ER, K-4475-ER	Blowout jet wall mount toilet. S/S seamlessly welded elongated bowl, integral seat. No accessible voids.
BRADLEY	5592	Acorn 1512, Super Secure A-150, Willoughby ECW, 1546-C & 1846-C	S/S Lav-Toilet combo, w/ elongated bowl, integral seat paper holder. 13-1/4" x 10" x 5" deep bowl, integral soap dish, single or dual temp. No open voids / crevices.
BRADLEY	5590	Super Secure A-350	S/S Lav-Toilet combo, w/ elongated bowl, integral seat and paper holder. 13-1/4" x 10" x 5" deep bowl, integral soap dish, single or dual temp. No accessible voids.
BRADLEY	5402	Metcraft 100-45-20 L/R	S/S Lav-Toilet combo, w/ elongated bowl, integral seat, paper holder, bowl offset to left or right. Penal filler and bubbler. No open voids or crevices.
BRADLEY	5582	Metcraft 100-45-15 L/R	S/S Lav-Toilet Combo, w/ elongated bowl, integral seat, paper holder and soap dish. Oval basin.
WILLOUGHBY	1490-OF	Amer. Std. 2509.057, 2510.048, 2511.012, 2512.010, Crane 3-460, 3-462 Eljer 111-0355, 111-0365 Kohler K-4450-ET,	K-4460-ER, K-4475-ER, Super Secure A-300 S/S wall mounted toilet with elongated bowl and integral seat. Blowout type flush, seamlessly welded, fully enclosed trap.
WILLOUGHBY	1490-OF	Amer. Std. 2477.016, 2478.014, 2500.015, 2502.011, Crane 3-446, 3-449 Eljer 111-1405, 111-1425, 111-1475 Kohler K-4430-ET, K-4432-ER	S/S wall mount toilet w/ elongated bowl and integral seat. Siphon jet flush, seamlessly welded, enclosed trap. No open crevices or voids.
WILLOUGHBY	1490-FM	Amer. Std. 2516.037, Crane 3-487, Eljer 111-0580, Kohler 4480ER, Super Sec.A-100	S/S floor mounted toilet w/ elongated bowl and integral seat. Blowout type flush, seamlessly welded. No open crevices or voids.
WILLOUGHBY	1490-FM	Amer. Std. 2529.014, 2530.012, Crane 3-480, 3-481, Super Secure A-100, Kohler K4486-ET, K4498-ER	S/S floor mounted toilet w/ elongated bowl and integral seat, Siphon jet flush, seamlessly welded. No open crevices or voids.
WILLOUGHBY	HS-1013-46	Amer. Std. 0420.018, 0420.026, 0420.034, 0420.067, 0420.075, 0430.025, 0430.033, 0430.066, Crane I-604, I-605 Eljer 051-3436, 051-3437 Kohler K-2475, K-2476, Super Secure M-50, A-50	S/S lavatory, seamless deep bowl. Fast drain outlet, 2 welded self-draining soap dishes, penal filler and bubbler. 9-1/2" x 13" x 6"

Toll Free Telephone: 877/867-8675 • Toll Free Fax: 877/867-8674
www.tms4parts.com

Tubing!

We carry a variety of tubing for your plumbing needs.

POLYETHYLENE TUBING

For water

- Made from non-toxic ingredients conforming to FDA and USDA standards
- Does not impart a taste or odor

(SOLD BY THE FOOT)

PART #	DESCRIPTION
40800586	1/8" ID x 1/4" OD, natural
40621198	1/4" ID x 3/8" OD, natural
41021258	3/8" ID x 1/2" OD, natural

POLYURETHANE TUBING

For air

- Clamps not required when used with properly designed barbed fittings at pressures of 105 psi or less
- Resistant to weathering, kinking, tearing, abrasion, impact, and radiation exposure
- Wide range of temperature resistance: -90°F to 175°F

(SOLD BY THE FOOT)

PART #	DESCRIPTION
40800587	1/16" ID x 1/8" OD, red
40800564	1/16" ID x 1/8" OD, blue
41021263	1/16" ID x 1/8" OD, black

**NEED A SPECIAL SIZE?
SPECIAL ORDERS AVAILABLE!**



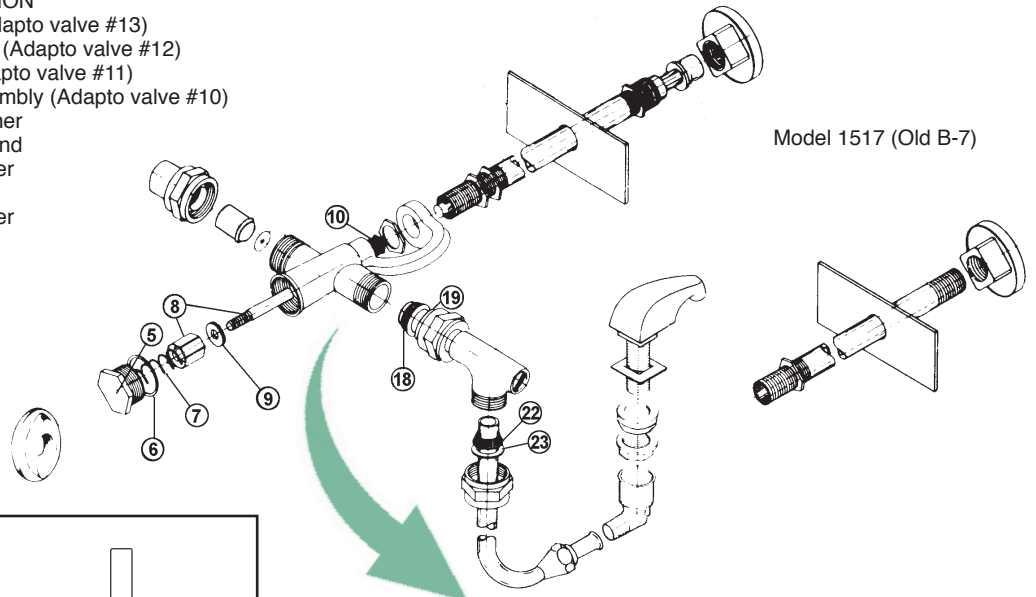


TOTAL MAINTENANCE SOLUTIONS

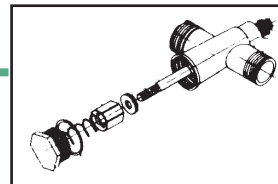
TOTAL MAINTENANCE SOLUTIONS ACORN ENGINEERING FITTINGS AND VALVES

ACORN/SUPER SECURE MODEL 1517 (OLD B-7) AND ACORN/SUPER SECURE MODEL 1518 (OLD B-9)

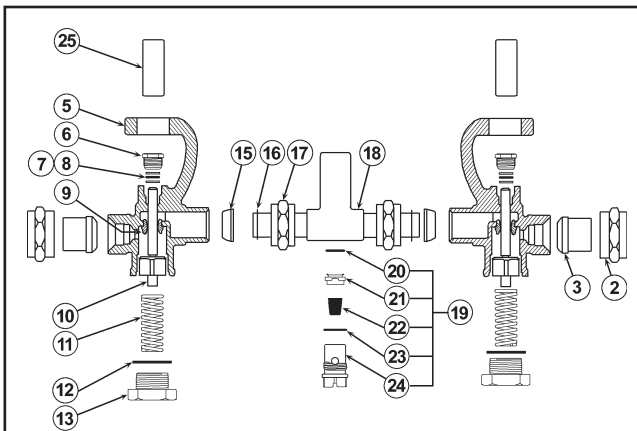
ITEM	PART #	DESCRIPTION
5	41021419	Cap nut (Adapto valve #13)
6	41011000	Cap gasket (Adapto valve #12)
7	41011001	Spring (Adapto valve #11)
8	41011203	Piston assembly (Adapto valve #10)
9	40700145	Piston washer
10	41011225	Packing gland
18	41021408	Cone washer
19	41021409	Friction ring
22	41011003	Cone washer
23	41011004	Friction ring



Model 1517 (Old B-7)

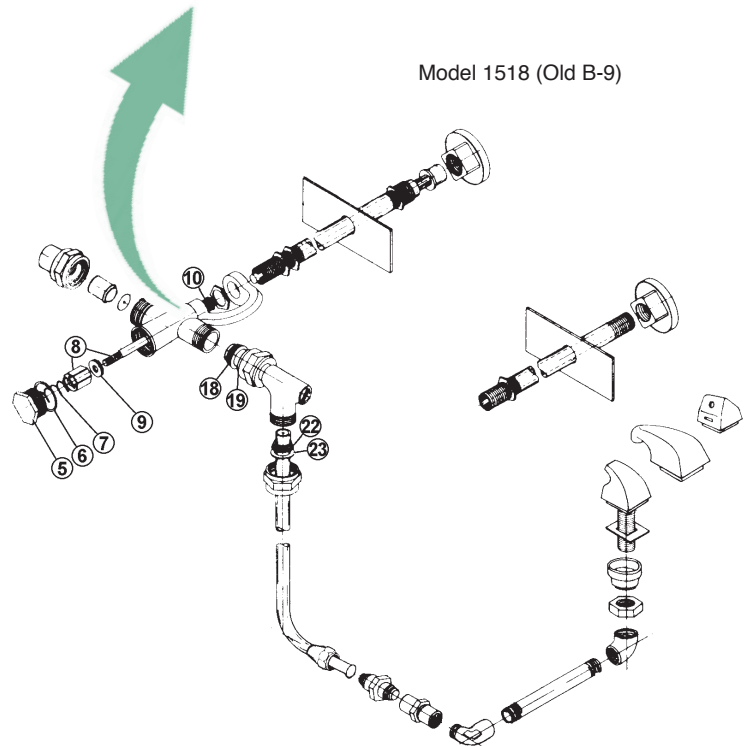


Stem Repair Kit (ADAPTO VALVE Items 6-13)
PART # 41011239



ACORN ADAPTO VALVE

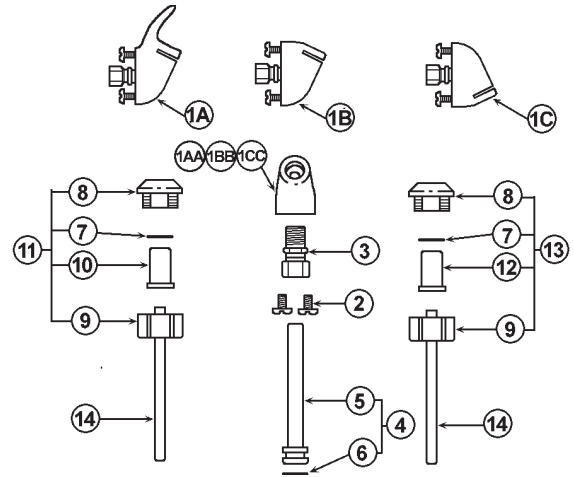
ITEM	PART #	DESCRIPTION
2		Union nut
3		Inlet - 3/8" NCT
5		Valve body
6	41011005	Packing nut
7	41011006	O-ring
8	41011007	Back-up ring
9	41011008	Renewable seat
10	41011203	Stem assembly
11	41011001	Spring
12	41011000	Gasket
13	41011009	Cap
15	41011013	Conical compression gasket
16	41011040	Washer
17		Compression nut
18		Tee
19	41011038	.5 GPM Flo-control assembly
20	41011040	O-ring
21	41011016	Flo-control retainer
22	41011114	.5 GPM Flo-control
23	41011017	O-ring
24	41011018	Flo-control plug
25		Push rod guide



Model 1518 (Old B-9)

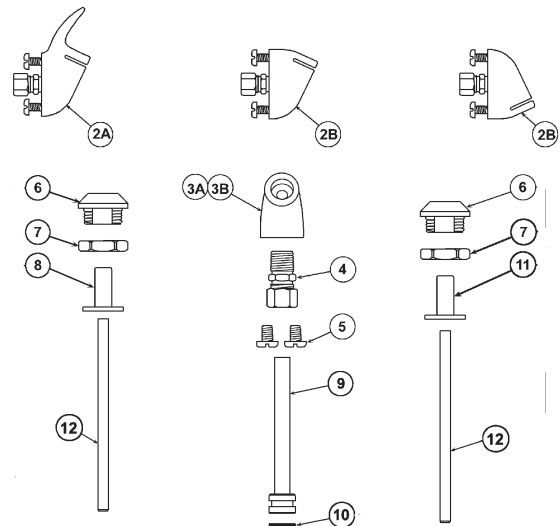
ACORN FIXTURE TRIM FOR PENAL-TROL VALVE BODY — OCTOBER 1978 TO JULY 1986

ITEM	PART #	DESCRIPTION
1A		Filler - bubbler w/mouthguard assembly
1AA		Filler - bubbler w/mouthguard
1B		Filler - bubbler less mouthguard assembly
1BB		Filler - bubbler less mouthguard
1C		Filler only assembly
1CC		Filler only
2	41011019	Screw 1/4-20 x 3/8"
3		Compression fitting
4		Supply tube assembly (8" wall)
5		Supply tube sub-assembly (8" wall)
6	41011020	O-Ring
7	41011021	Gasket
8	41011022	Escutcheon
9		Retainer nut
10	41011023	Pushbutton - cold
11		Escutcheon assembly - cold
12	41011024	Pushbutton - hot
13		Escutcheon assembly - hot
14		Push rod - 8" wall



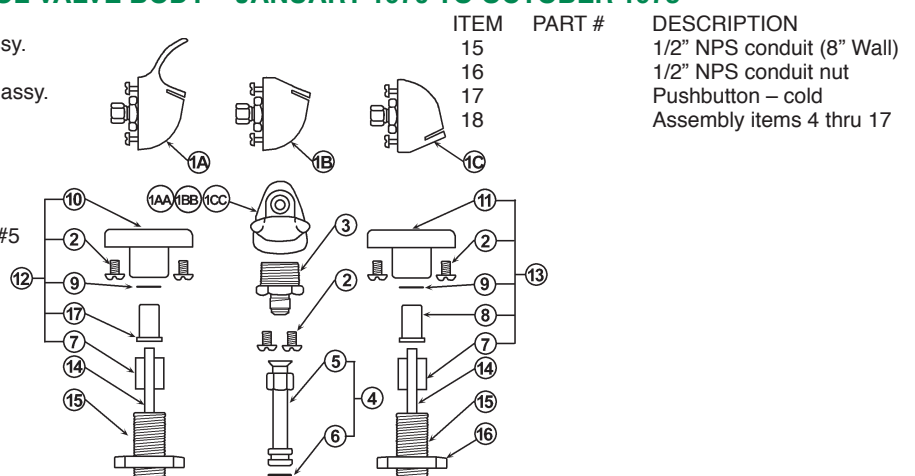
ACORN FIXTURE TRIM FOR PENAL-TROL VALVE BODY JULY 1986 TO APRIL 1998

ITEM	PART #	DESCRIPTION
2A		Code bubbler hardware package
2B		Penal filler/bubbler hardware package
3A		Code bubbler
3B		Penal bubbler/filler
4		3/8" tube x 1/4" NPT compression fitting
5	41011019	#1/4-20 x 3/8" pan head screw
6		Escutcheon
7		Retainer nut
8	41011025	(HOT) Button
9		Supply tube sub-assembly for 8" wall
10	41011020	O-ring
11	41011026	(COLD) button
12		Push rod



ACORN FIXTURE TRIM FOR PENAL-TROL VALVE BODY — JANUARY 1970 TO OCTOBER 1978

ITEM	PART #	DESCRIPTION
1A		Filler - bubbler w/mouthguard assy.
1AA		Filler - bubbler w/mouthguard
1B		Filler - bubbler less mouthguard assy.
1BB		Filler - bubbler less mouthguard
1C		Filler only assembly
1CC		Filler only
2	41011019	Screw 1/4-20 x 3/8"
3		Flare connection
4		Supply tube assembly NLA use #5
5		Supply tube sub-assy.
6	41011020	O-Ring
7	41011027	Spacer sleeve
8	41011024	Pushbutton - hot
9	41011021	Gasket
10		Oval escutcheon - hot
11		Oval escutcheon - cold
12		Pushbutton assembly "HOT"
13		Pushbutton assembly "COLD"
14		Push rod (8" Wall)



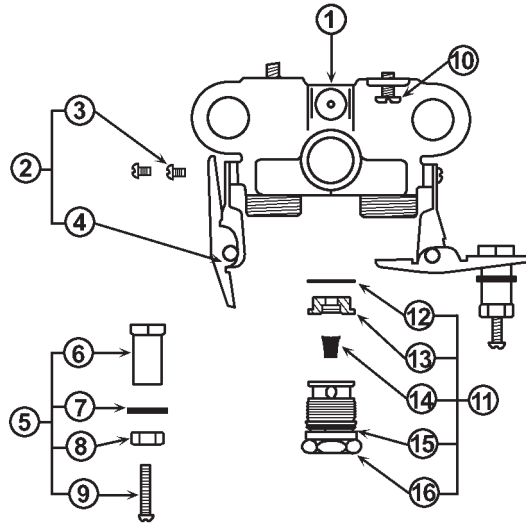


TOTAL MAINTENANCE SOLUTIONS

TOTAL MAINTENANCE SOLUTIONS ACORN ENGINEERING FITTINGS AND VALVES

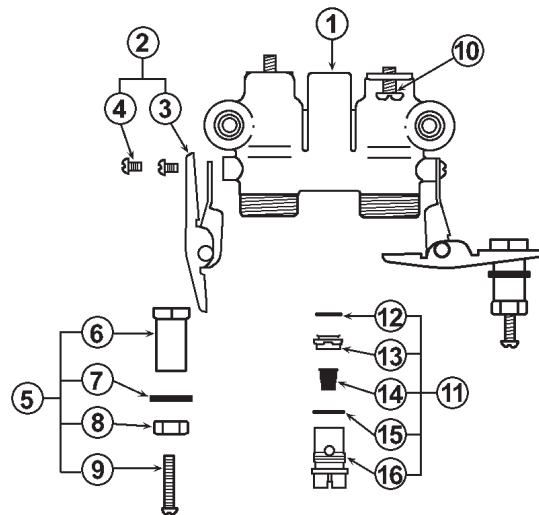
ACORN VALVE BODY ASSEMBLY FOR PENAL-TROL JANUARY 1971 TO JANUARY 1976

ITEM	PART #	DESCRIPTION
1		Valve body - NLA – Replace w/ 2310-950-001
2	41011028	Rocker/Fulcrum assy.
3		Screw 10-32 x 1/4"
4	41011037	Rocker/Fulcrum sub. assy.
5	41011029	Adj. cup assembly
6	41011030	Adjusting cup
7		Adjusting cup retainer
8		10-32 adjusting nut
9		10-32 x 1" adjusting screw
10		1/4-20 x 3/8" screw
11	41011031	Flo-Control assy.
12	41011032	O-Ring
13	41011033	Flo-Control retainer
14	41011114	.5 GPM Flo-Control
12-14	41011035	.5 GPM Flo-Control assy.
15	41011036	Gasket
16		Flo-Control plug



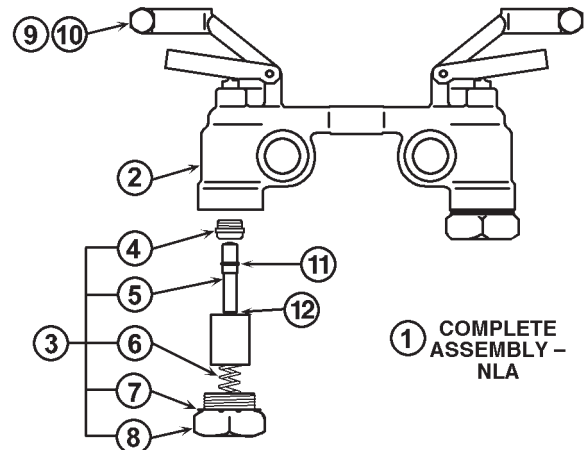
ACORN VALVE BODY ASSEMBLY FOR PENAL-TROL JANUARY 1976 TO APRIL 1998

ITEM	PART #	DESCRIPTION
1		Valve body
2	41011028	Rocker/Fulcrum assy.
3	41011037	Rocker/Fulcrum sub. assy.
4		Screw 10-32 x 1/4"
5	41011029	Adj. cup assembly
6	41011030	Adjusting cup
7		Adjusting cup retainer
8		10-32 adjusting nut
9		10-32 x 1" adjusting screw
10		1/4-20 x 3/8" screw
11	41011038	.5 GPM Flo-Control assy.
12	41011017	O-Ring
13	41011016	Flo-Control retainer
14	41011114	.5 GPM Flo-Control
15	41011040	O-Ring
16	41011018	Flo-Control plug



ACORN VALVE BODY ASSEMBLY FOR HOT & COLD B-10 SEPTEMBER 1980 TO PRESENT

ITEM	PART #	DESCRIPTION
1		B-10 valve assembly - complete - NLA*
2		Valve body
3	41011041	Stem assembly
4	41011008	Renewable seat
5	40120105	Piston assembly
6	41011042	Spring
7	41011043	Gasket
8	41011009	Cap Nut
9		Hex head bolt 1/4-20 x 1"
10		Nut 1/4-20
11	40950017	O-ring
12	40110163	Washer



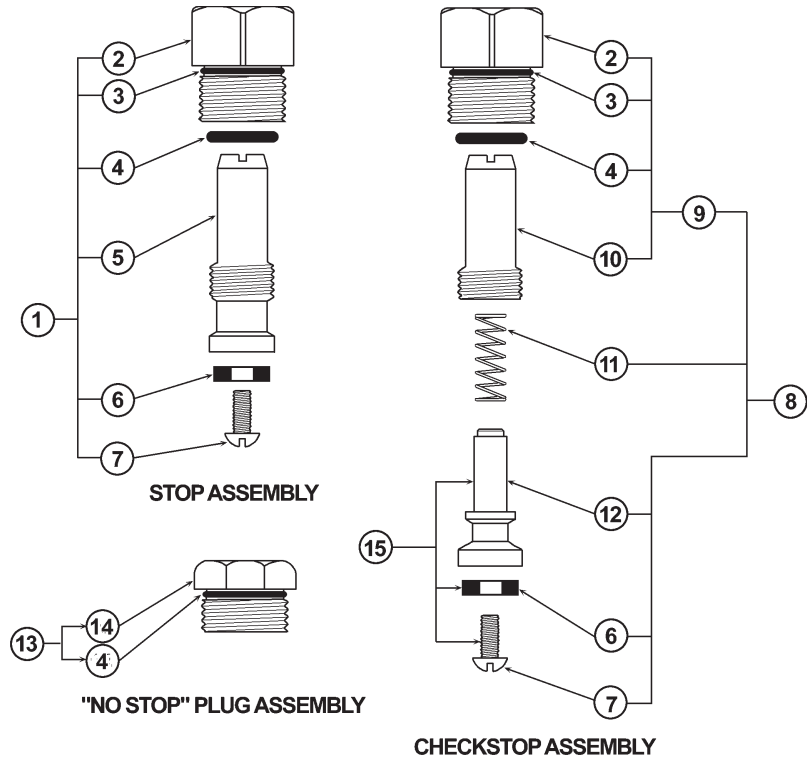
NLA - Not available. Please note that retro air unit will not fit female threads.

*Bradley 1020 Valve is a direct replacement for this valve.

Toll Free Telephone: 877/867-8675 • Toll Free Fax: 877/867-8674
www.tms4parts.com

ACORN PENAL-TROL STOP ASSEMBLIES AUGUST 1976 TO PRESENT

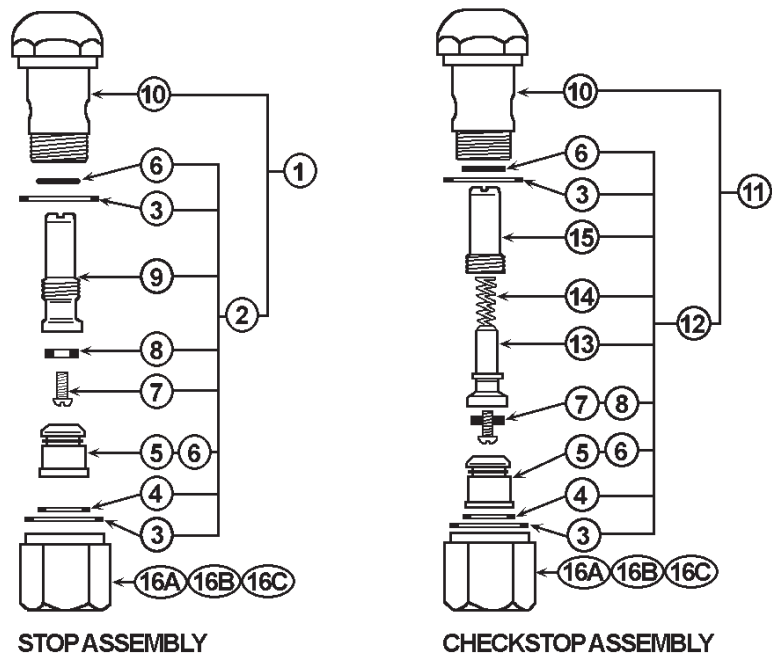
ITEM	PART #	DESCRIPTION
1	41011044	Stop assembly - complete
2	41011045	Stop body
3	41011046	O-Ring
4	41011020	O-Ring
5	41011047	Stop stem
6	41011048	Disc
7	50100020	8-32 x 3/8" screw
8	41011049	Check stop assembly - complete
9	41011050	Check stop assembly w/o plunger assembly
10	41011051	Check stop stem
11	41011052	Spring
12	41011053	Check stop plunger
13		"No stop" plug assy.
14	41011054	Plug
15	41011055	Plunger assembly



TMS PART #41011044 – Stop assembly - less bonnet –
No Longer Available

ACORN REVERSIBLE UNION INLETS FOR PENAL-TROL VALVES – JANUARY 1971 TO AUGUST 1976

ITEM	PART #	DESCRIPTION
1		Stop assy. - less bonnet nut
2	41011056	Stop cartridge assy.
3	41011057	Union gasket
4	41011058	Gasket
5	41011059	Seat
6	41011020	O-Ring
7	50100020	8-32 x 3/8" screw
8	41011048	Disc
9	41011047	Stop stem
10		Union stop body
11		Check stop assembly w/o bonnet nut
12	41011060	Check stop cartridge assy.
13	41011053	Plunger
14	41011052	Spring
15	41011051	Check stop stem
16A		Bonnet nut 1/2" NCT
16B		Bonnet nut 1/2" NPT
16C		Bonnet nut 3/8" NCT



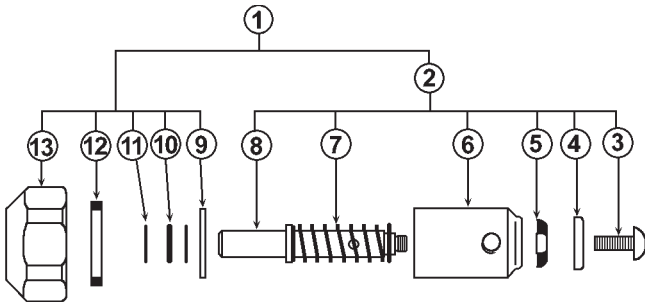


TOTAL MAINTENANCE SOLUTIONS

TOTAL MAINTENANCE SOLUTIONS ACORN ENGINEERING FITTINGS AND VALVES

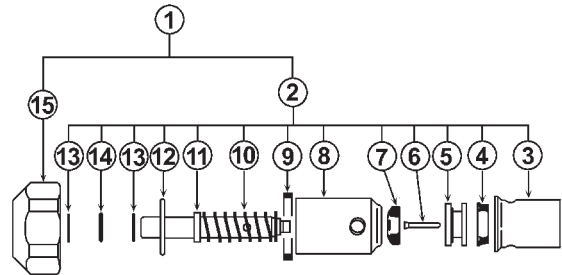
ACORN QUICK-CLOZ VALVE CARTRIDGE FOR PENAL-TROL – JANUARY 1971 TO PRESENT

ITEM	PART #	DESCRIPTION
1	41011061	Cartridge assembly – complete
2	41011062	Cartridge assembly – less bonnet
3	50100013	Screw
4	41011063	Disc retainer
5	41011064	Flat disc
6	41011065	Sleeve & seat
7	41011066	Spring
8	41011067	Rod
9	41011068	O-Ring retainer
10	41011069	O-Ring
11	41011070	Back-up ring
12	41011071	Bonnet gasket
13	41011072	Bonnet



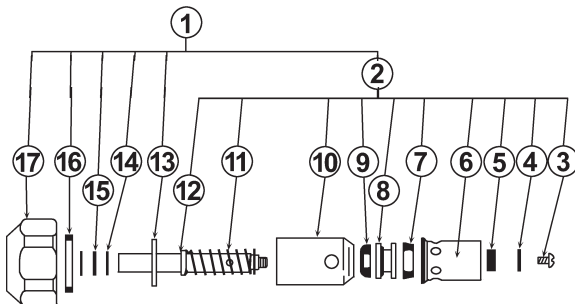
ACORN AUTO-CLOZ CARTRIDGE FOR PENAL-TROL – JUNE 1971 TO APRIL 1973

ITEM	PART #	DESCRIPTION
1		Cartridge assembly - complete
2	41011079	Cartridge assembly - less bonnet
3	41011074	Dashpot
4	41011075	"U" packing
5		Piston
6		Timing needle
7	41011076	Gasket disc
8		Sleeve
9	41011071	Bonnet gasket
10	41011066	Spring
11		Rod
12	41011077	O-Ring retainer
13	41011069	O-Ring
14	41011070	Back-up ring
15	41011072	Bonnet



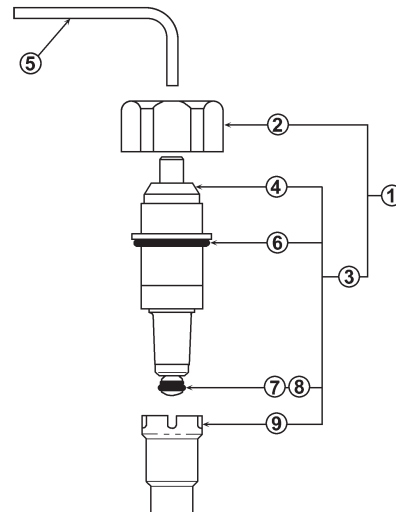
ACORN AUTO-CLOZ MECH. METERING CARTRIDGE FOR PENAL-TROL VALVE – APRIL 1973 TO PRESENT

ITEM	PART #	DESCRIPTION
1	41011078	Auto-Cloz cartridge assembly - complete
2	41011079	Auto-Cloz cartridge less bonnet
3	40120514	Screw
4	40120111	Washer
5	40120112	Felt gasket
6	41011080	Dashpot
7	41011075	"U" packing
8		Piston
9	41011064	Gasket disc
10	41011065	Sleeve and seat
11	41011066	Spring
12	41011081	Rod
13	41011068	O-Ring retainer
14	41011070	Back-up ring (2 required)
15	41011069	O-Ring
16	41011071	Bonnet gasket
17	41011072	Bonnet



ACORN PENAL-MATIC METERING CARTRIDGE FOR PENAL-TROL VALVES JANUARY 1986 TO PRESENT

ITEM	PART #	DESCRIPTION
1		Cartridge assembly w/ bonnet
2	41011231	Penal-matic bonnet
3	40621017	Cartridge assembly – OEM
	41011083	Replacement cartridge assembly w/ Allen wrench
4		Body assembly (less o-rings and seat)
5		3/32" Allen wrench
6	41011032	O-Ring
7	41011084	O-Ring
8	41011085	O-Ring
9	41011086	Seat (5/16" closure)



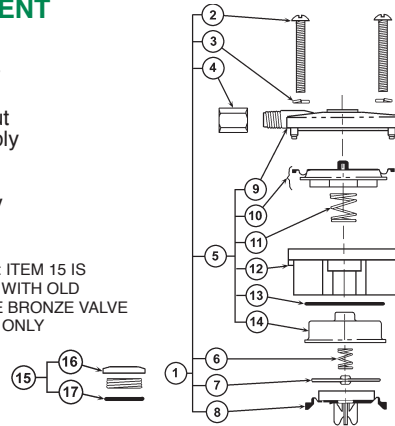
Toll Free Telephone: 877/867-8675 • Toll Free Fax: 877/867-8674
www.tms4parts.com



ACORN AIR-CONTROL NON-METERING SERVOMOTOR ASSEMBLY – JANUARY 1984 TO PRESENT

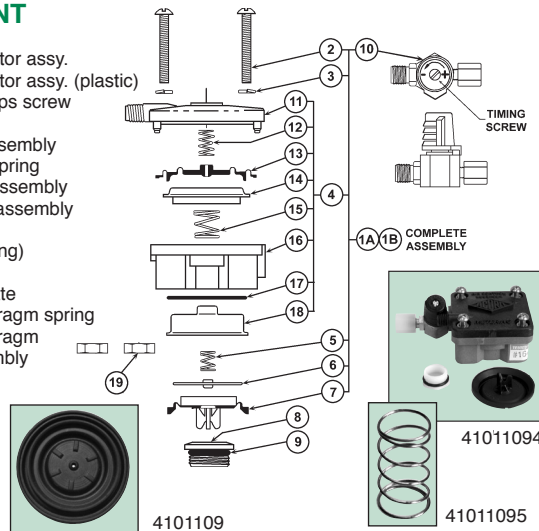
ITEM	PART #	DESCRIPTION
1	41011271	Direct acting assembly
2		8-32 x 1-1/4" Phillips screw
3		#8 lockwasher
4	41011087	1/8" plastic compression nut
5		Direct acting motor assembly
6	41011088	Pilot orifice plate spring
7	41011127	Pilot orifice plate assembly
8	41011089	Water diaphragm assembly
9		Direct acting cover plate
10	41011090	Diaphragm assembly
11	41011091	Actuator spring
12		Motor housing
13	41011092	Separator o-ring
14		Separator cup
15	41011137	Seat assembly
16		Air-control valve seat
17		O-ring
18	41011093	Water chamber assembly includes items 6, 7, 8 and 15

NOTE: ITEM 15 IS USED WITH OLD STYLE BRONZE VALVE BODY ONLY



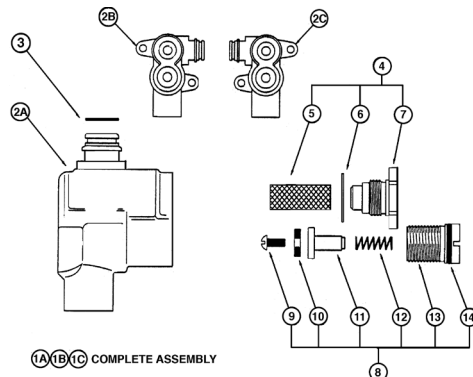
ACORN AIR-CONTROL METERING SERVOMOTOR ASSEMBLY JANUARY 1984 TO PRESENT

ITEM	PART #	DESCRIPTION
1A	41011094	Metering Servomotor assy.
1B		Metering Servomotor assy. (plastic)
2		8-32 x 1-1/4" Phillips screw
3		#8 lockwasher
4		Metering motor assembly
5	41011088	Pilot orifice plate spring
6	41011127	Pilot orifice plate assembly
7	41011089	Water diaphragm assembly
8	41011017	Seat O-ring
9	41011137	Seat (includes o-ring)
10	41011204	Timer assembly
11		Metering cover plate
12	41011095	Metering air diaphragm spring
13	41011096	Metering air diaphragm
14	41011205	Magnet cup assembly
15	41011091	Actuator spring
16		Motor housing
17	41011092	O-ring
18		Separator cup
19		8-32 Hex nut



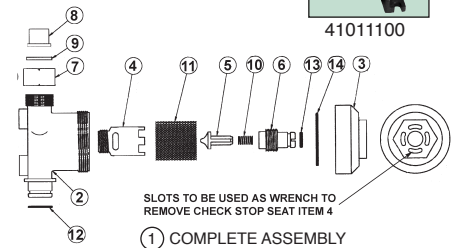
ACORN PENAL AIR-TROL CHECK STOP ASSEMBLY JANUARY 1984 TO APRIL 1994

ITEM	PART #	DESCRIPTION
1A		Valve assembly complete - top outlet
1B		Valve assembly complete - RH outlet
1C		Valve assy complete - LH outlet
2A		Stop body - top outlet
2B		Stop body - LH outlet
2C		Stop body - RH outlet
3	40130205	O-ring
4		Strainer assy.
5	41011098	Strainer
6		Red fiber gasket
7		Retainer
8	41011099	Check stop assy.
9	50100011	8-32 RD HD screw
10	40110119	Gasket
11		Check valve
12		Spring
13		Check stop body
14		O-ring



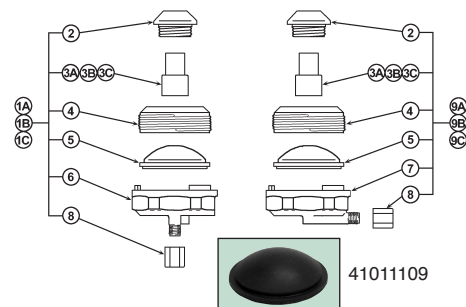
ACORN PLASTIC AIR-CONTROL CHECK STOP STRAINER ASSY. APRIL 1994 TO DECEMBER 1995

ITEM	PART #	DESCRIPTION
1	41011100	Check stop strainer complete assembly
2		Stop body
3		Stop bonnet
4		Check stop seat (non-removable)
5	41011101	Check stem
6		Stop stem
7		Union nut
8		3/8" copper union adapter
9	41011226	Union gasket
10	41011103	Spring
11		Strainer
12	41011104	O-ring
13	41011040	O-ring
14	41011105	O-ring



ACORN AIR-CONTROL PUSHBUTTON ASSEMBLY JANUARY 1984 TO PRESENT

ITEM	PART #	DESCRIPTION
1A		Pushbutton assy back outlet (single temp)
1B		Pushbutton assy back outlet (hot)
1C		Pushbutton assy back outlet (cold)
2	41011106	Escutcheon
3A		Pushbutton - single temp.
3B	41011107	Pushbutton - cold
3C	41011108	Pushbutton - hot
4		Escutcheon retainer
5	41011109	Diaphragm
6	41011110	Diaphragm retainer
7	41011232	Diaphragm retainer
8	41011087	1/8" ferrule nut
9A		Pushbutton assembly single temp
9B		Pushbutton assy - Hot
9C		Pushbutton assembly - Cold



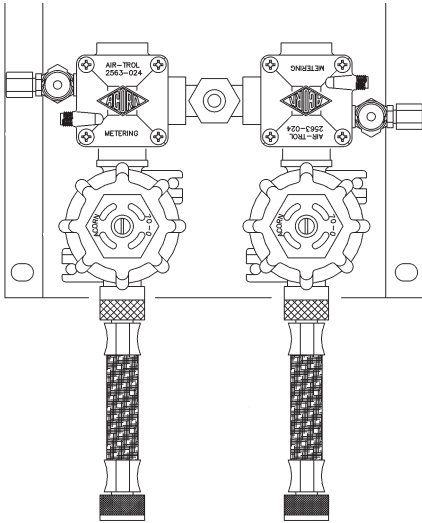


TOTAL MAINTENANCE SOLUTIONS

TOTAL MAINTENANCE SOLUTIONS
ACORN ENGINEERING
 FITTINGS AND VALVES

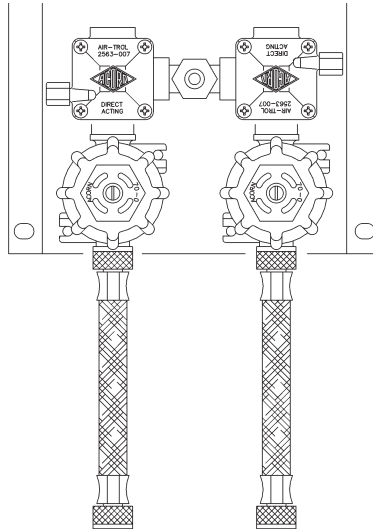
AIR-TROL VALVE ASSEMBLIES

ALSO AVAILABLE IN



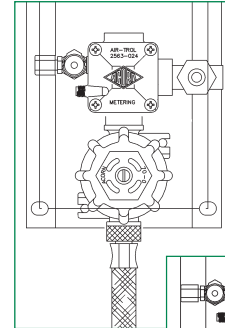
**HOT & COLD METERING VALVE
 .5 GPM
 PART # 41011233**

ALSO AVAILABLE IN 2.5 GPM

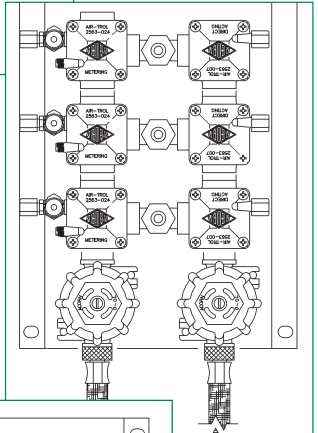


**HOT & COLD NON-METERING
 VALVE - .5 GPM
 PART # 41011234**

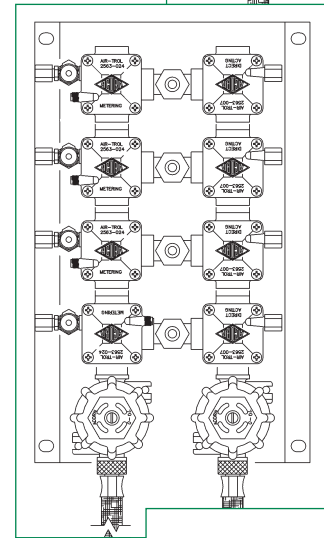
ALSO AVAILABLE IN 2.5 GPM



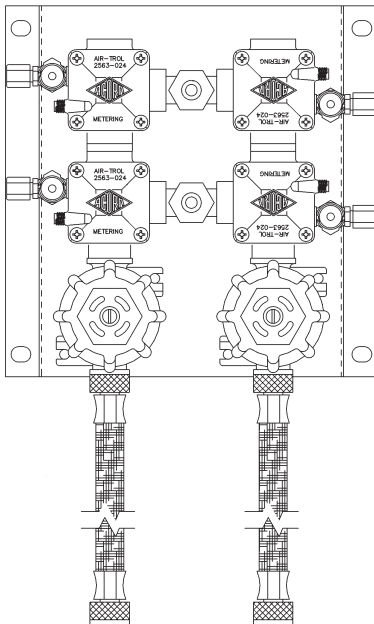
SINGLE TEMP



3-CELL

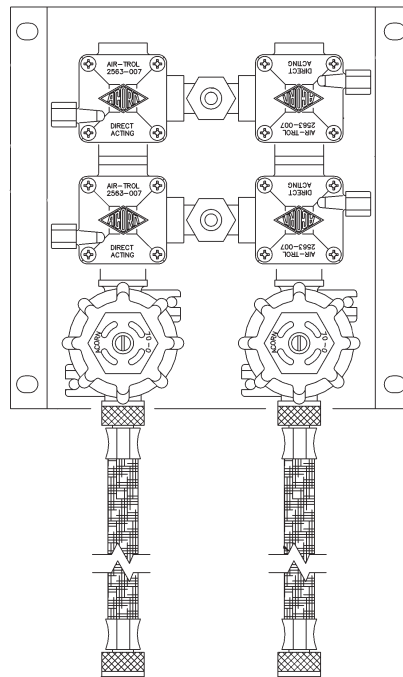


4-CELL



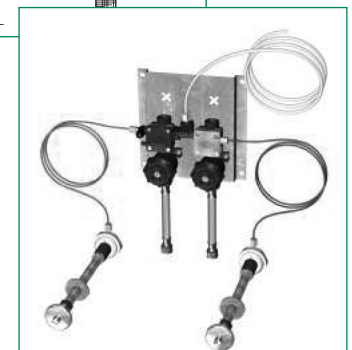
**HOT & COLD 2-CELL
 METERING VALVE
 .5 GPM
 PART # 41011235**

ALSO AVAILABLE IN 2.5 GPM



**HOT & COLD 2-CELL
 NON-METERING VALVE - .5 GPM
 PART # 41011236**

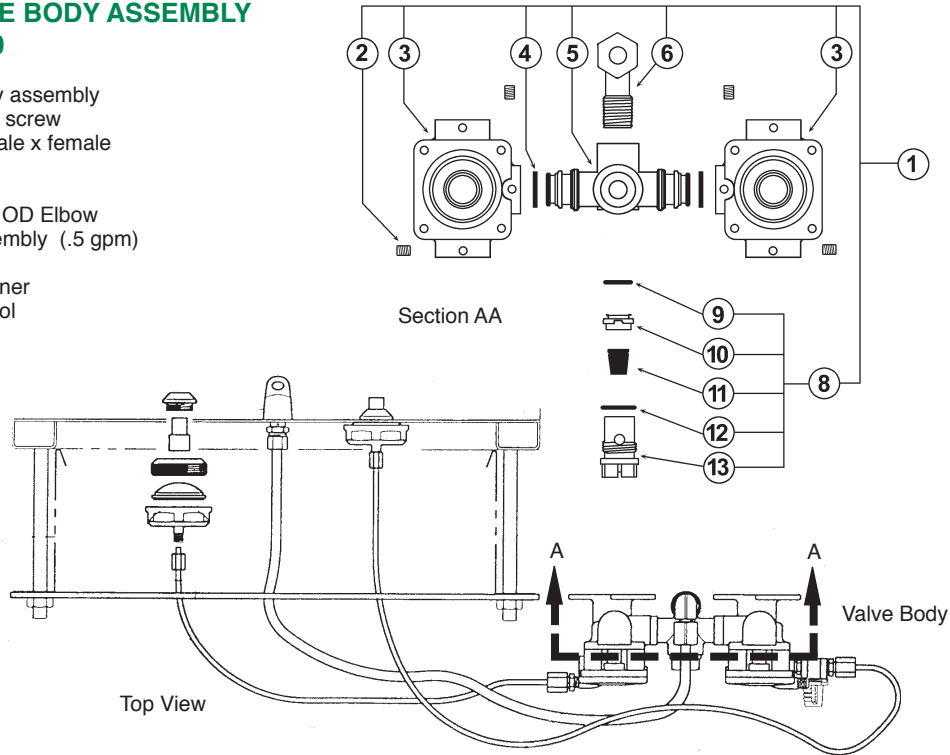
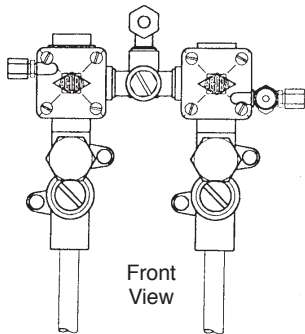
ALSO AVAILABLE IN 2.5 GPM



REPLACEWARE

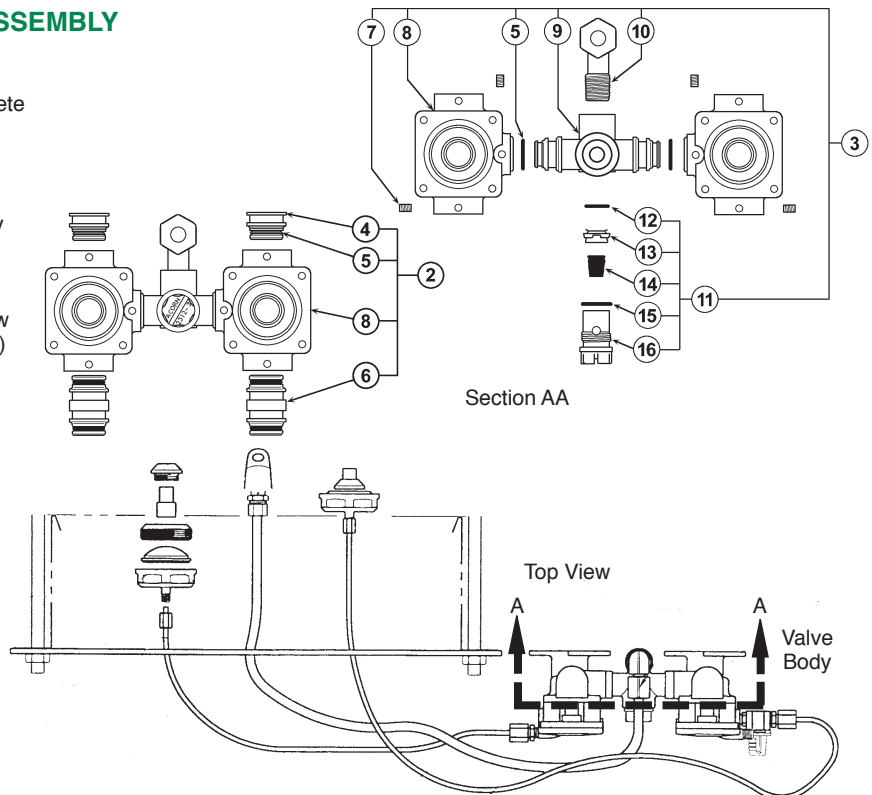
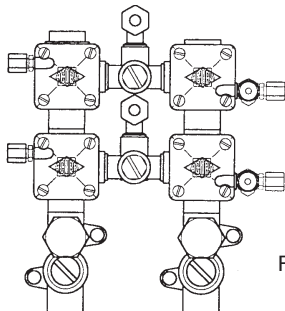
ACORN H&C AIR-TROL VALVE BODY ASSEMBLY JANUARY 1985 TO JULY 1990

ITEM	PART #	DESCRIPTION
1		H&C valve body assembly
2		8-32 x 3/16" set screw
3		Valve body female x female
4	41011111	O-ring
5	41011112	Flo-Control Tee
6	41011113	1/4" NPT x 1/4" OD Elbow
8	41011038	Flo-control assembly (.5 gpm)
9	41011040	O-ring
10	41011016	Flo-control retainer
11	41011114	.5 gpm flo-control
12	41011017	O-ring
13	41011018	Flo-control plug



ACORN H&C AIR-TROL VALVE BODY ASSEMBLY JULY 1990 TO APRIL 1994

ITEM	PART #	DESCRIPTION
1		H&C valve assembly – complete
2		Valve assembly – upper
3		Valve assembly – lower
4	41011115	Male O-ring plug
5	41011111	O-ring
6	41011116	Male O-ring adaptor assembly
7		Screw
8		Valve body – female x female
9	41011112	Flo-control tee
10	41011113	1/4" NPT x 1/4" OD tube elbow
11	41011038	Flo-control assembly (.5 gpm)
12	41011040	O-ring
13	41011016	Flo-control retainer
14	41011114	.5 gpm flo-control
15	41011017	O-ring
16	41011018	Flo-control plug



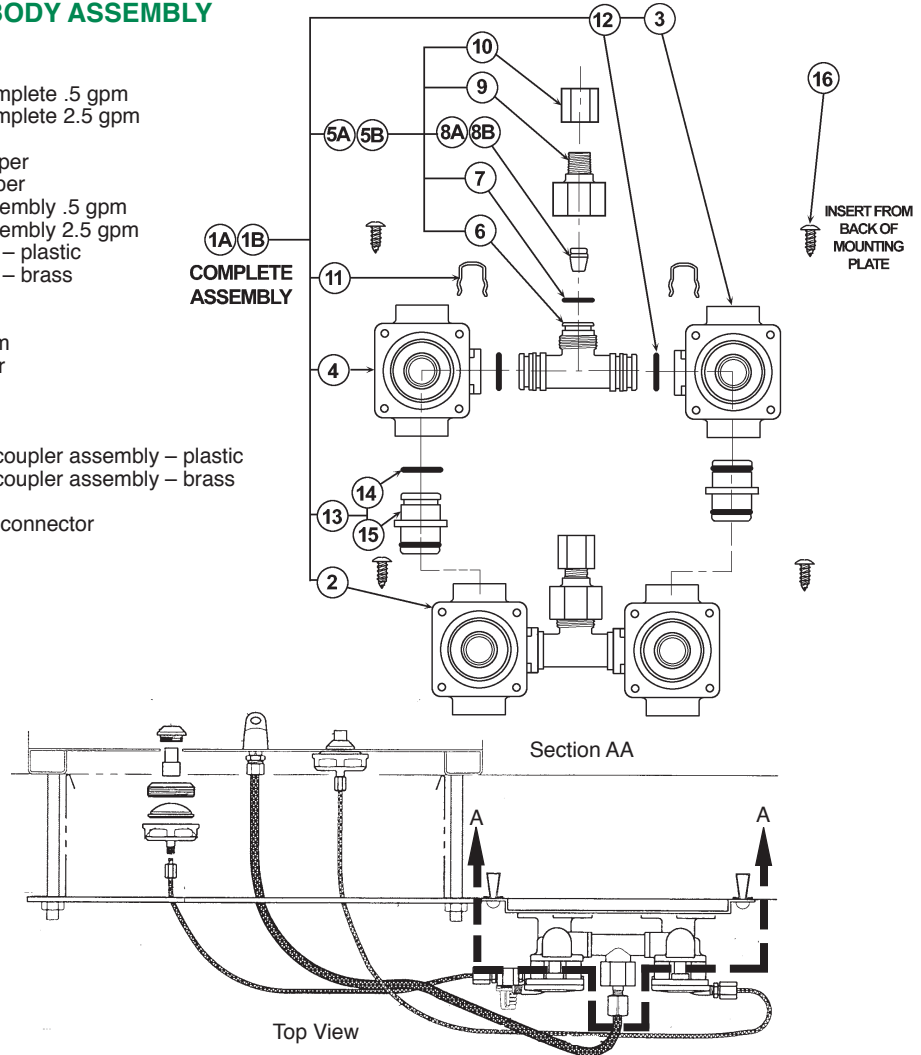
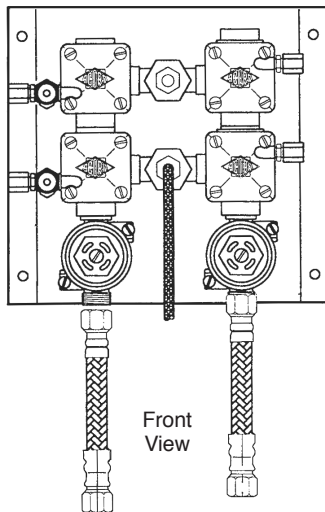


TOTAL MAINTENANCE SOLUTIONS

TOTAL MAINTENANCE SOLUTIONS ACORN ENGINEERING FITTINGS AND VALVES

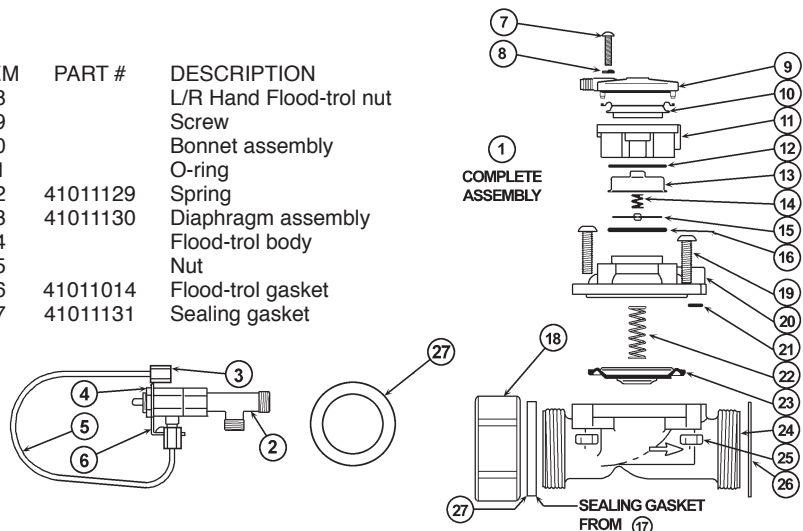
ACORN H&C AIR-TROL VALVE BODY ASSEMBLY APRIL 1994 TO PRESENT

ITEM	PART #	DESCRIPTION
1A		H&C valve body complete .5 gpm
1B		H&C valve body complete 2.5 gpm
2	41011117	Valve body – lower
3	41011118	RH valve body – upper
4	41011119	LH valve body – upper
5A		H&C mixing tee assembly .5 gpm
5B		H&C mixing tee assembly 2.5 gpm
6	41011120	Dual temp tee body – plastic
	41011237	Dual temp tee body – brass
7	41011017	O-ring
8A	41011114	Flow control .5 gpm
8B	41011134	Flow control 2.5 gpm
9	41011121	Flow control adapter
10	41011122	1/4" ferrule nut
11	41011123	Retainer clip
12	40130205	O-ring
13	41011124	Male x male o-ring coupler assembly – plastic
	41011238	Male x male o-ring coupler assembly – brass
14	41011046	O-ring
15		Male to male o-ring connector
16		Screw



ACORN FLOOD-TROL VALVE ASSEMBLY

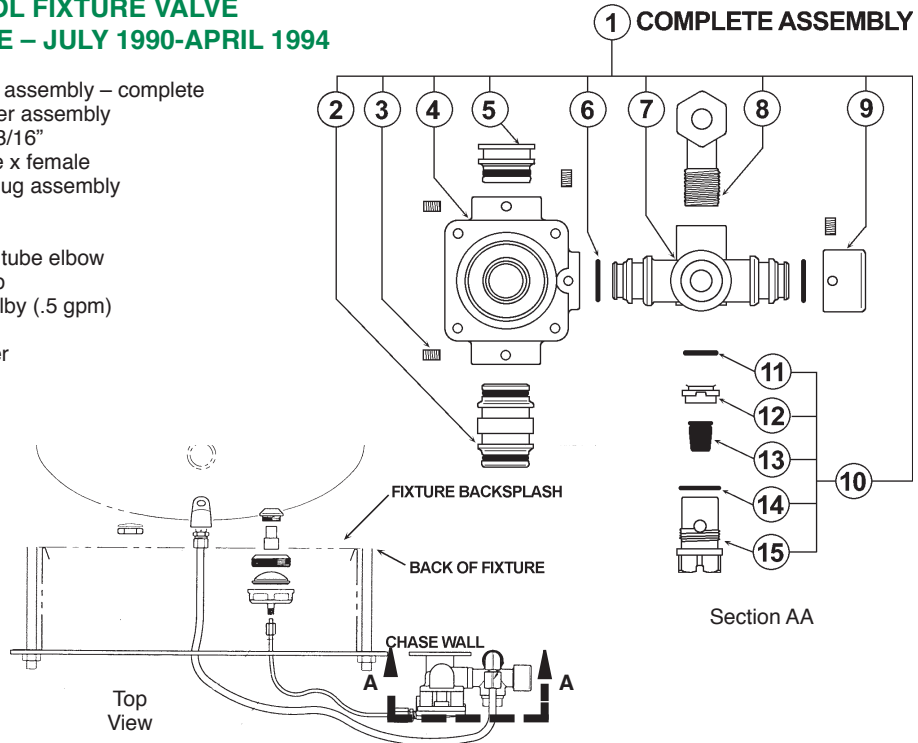
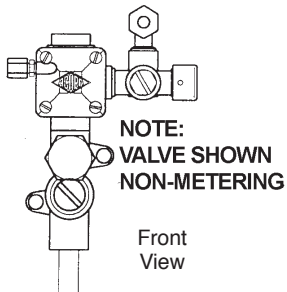
ITEM	PART #	DESCRIPTION	ITEM	PART #	DESCRIPTION
1		Flood-trol valve assy, complete	18		L/R Hand Flood-trol nut
2	41011125	Reset valve assembly	19		Screw
3	41011087	1/8" Compression nut	20		Bonnet assembly
4		Locknut	21		O-ring
5	41021263	1/8" OD x 12"	22	41011129	Spring
		Low density PE tube	23	41011130	Diaphragm assembly
6		Mounting bracket assembly	24		Flood-trol body
7		Screw	25		Nut
8		Lockwasher	26	41011014	Flood-trol gasket
9		Coverplate	27	41011131	Sealing gasket
10	41011126	Diaphragm assembly			
11		Motor housing			
12	41011092	O-ring			
13		Separator cup			
14	41011088	Pilot orifice plate spring			
15	41011127	Pilot orifice plate assembly			
16	41011128	O-ring			
17		Reset switch interconnection assembly (not shown)			



Toll Free Telephone: 877/867-8675 • Toll Free Fax: 877/867-8674
www.tms4parts.com

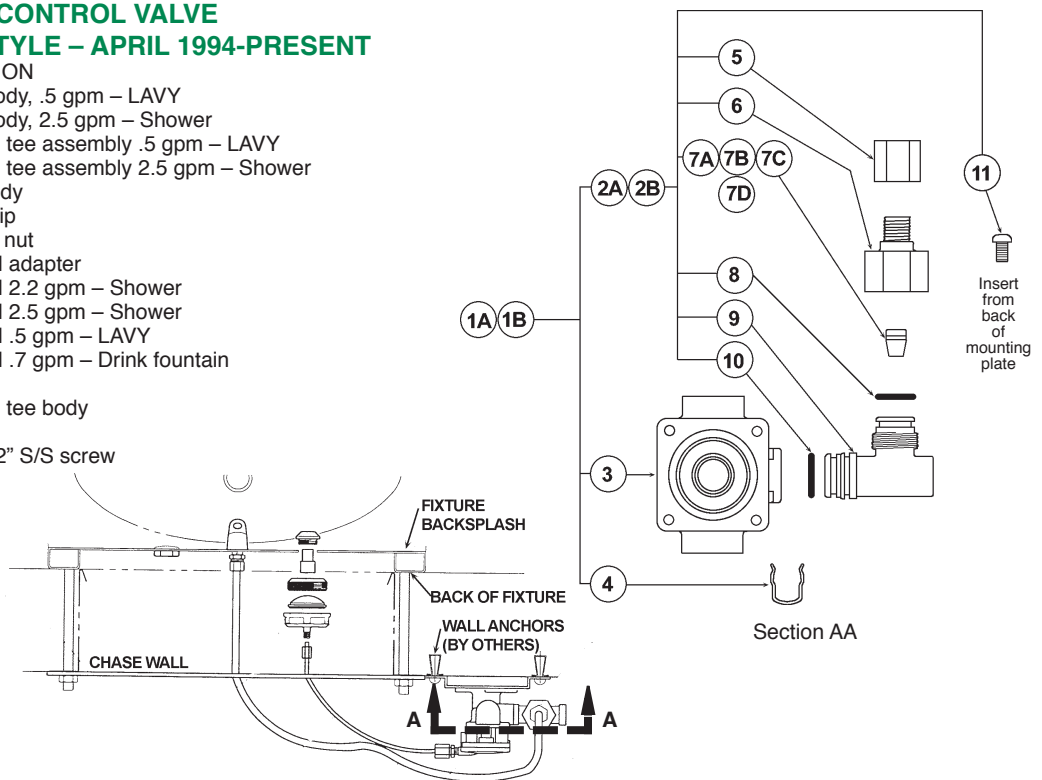
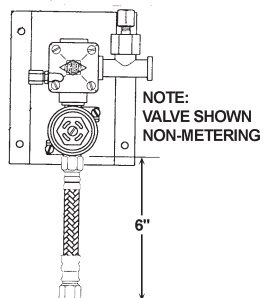
ACORN SINGLE TEMP AIR-TROL FIXTURE VALVE BODY ASSEMBLY – OLD STYLE – JULY 1990-APRIL 1994

ITEM	PART #	DESCRIPTION
1		Single temp valve assembly – complete
2	41011116	Male o-ring adapter assembly
3		Set screw 8-32 x 3/16"
4		Valve body female x female
5	41011115	Male o-ring ring plug assembly
6	41011111	O-ring
7	41011112	Flo-control tee
8	41011113	1/4" NPT 1/4" OD tube elbow
9	41011132	Outlet adapter cap
10	41011038	Flo-control assembly (.5 gpm)
11	41011040	O-ring
12	41011016	Flo-control retainer
13	41011114	.5 gpm flo-control
14	41011017	O-ring
15	41011018	Flo-control plug



ACORN SINGLE TEMP AIR-CONTROL VALVE BODY ASSEMBLY – NEW STYLE – APRIL 1994-PRESENT

ITEM	PART #	DESCRIPTION
1A		S/T valve body, .5 gpm – LAVY
1B		S/T valve body, 2.5 gpm – Shower
2A		Single temp tee assembly .5 gpm – LAVY
2B		Single temp tee assembly 2.5 gpm – Shower
3	41011119	LH valve body
4	41011123	Retaining clip
5	41011122	1/4" Ferrule nut
6	41011121	Flow control adapter
7A		Flow control 2.2 gpm – Shower
7B	41011134	Flow control 2.5 gpm – Shower
7C	41011114	Flow control .5 gpm – LAVY
7D	41011135	Flow control .7 gpm – Drink fountain
8	41011017	O-ring
9	41011136	Single temp tee body
10	40130205	O-ring
11		#10-32 x 1/2" S/S screw



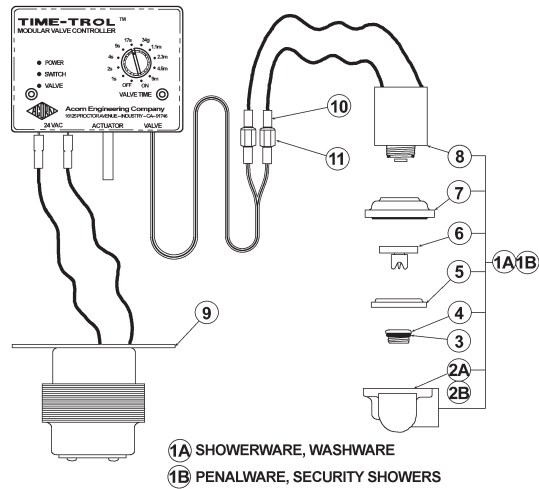


TOTAL MAINTENANCE SOLUTIONS

TOTAL MAINTENANCE SOLUTIONS ACORN ENGINEERING FITTINGS AND VALVES

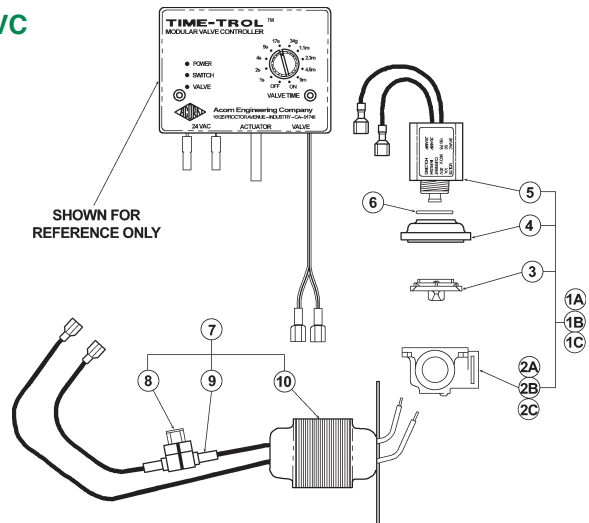
ACORN TIME-TROL CONTROLLER VALVE ASSEMBLY – OLD STYLE – JUNE 1991 – 1994

ITEM	PART #	DESCRIPTION
1A		Solenoid actuated valve assembly 3/8" NPT
1B		Solenoid actuated valve assembly o-ring
2A		Air-trol body 3/8" NPT outlet
2B		Air-trol body o-ring outlet
3	41011017	O-ring
4	41011137	Seat
5-6	41011089	Water diaphragm assembly
7		Solenoid bonnet
8	41011138	24 VAC Solenoid
9		50VA transformer
10		Male spade connector
11		Female spade connector



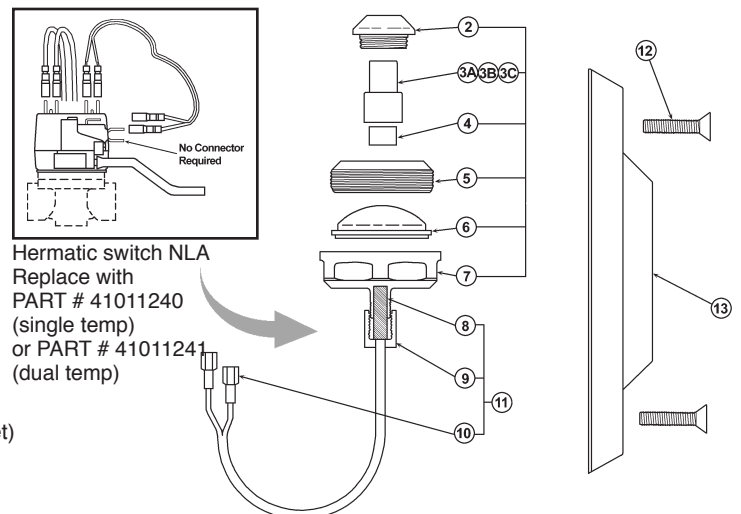
ACORN TIME-TROL CONTROLLER VALVE ASSEMBLY – MVC APRIL 1994 – PRESENT

ITEM	PART #	DESCRIPTION
1A		Solenoid actuated valve assembly LH
1B		Solenoid actuated valve assembly RH
1C		Solenoid actuated valve assembly – MA lower
2A		Valve body left hand
2B		Valve body right hand
2C		Valve body – MA lower LH/RH
3	41011089	Water diaphragm assembly
4		Solenoid bonnet
5	41011139	24 VAC solenoid
6	41011140	O-ring
7		120/24VAC trans 4" sq. plate assembly
8	41011141	3 amp fuse
9		In-line fuseholder
10		120/24VAC transformer



ACORN MASTER-TROL PUSHBUTTON (WITH HERMATICALLY SEALED SWITCH)

ITEM	PART #	DESCRIPTION
1		Master-trol pushbutton assembly (standard)
1B		Master-trol pushbutton assembly (hot)
1C		Master-trol pushbutton (cold)
2		Escutcheon
3A		Pushbutton (standard)
3B		Pushbutton (hot)
3C		Pushbutton (cold)
4		Magnet
5		Escutcheon retainer
6	41011109	Diaphragm
7		Diaphragm retainer
8	NLA	Hermetic switch
9	NLA	Nut
10	NLA	3/16" Female quick connect
11	NLA	Master-trol hermetic switch assembly (see inset)
12		Screw
13		Oval escutcheon plate



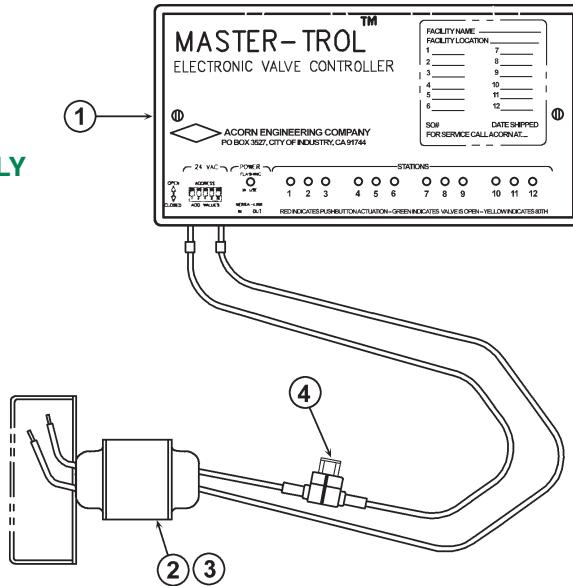


ACORN VALVE CONTROLLER & TRANSFORMER ASSEMBLY

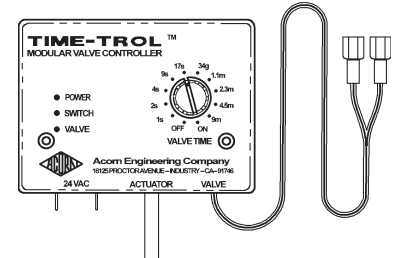
ITEM	DESCRIPTION
1	Controller (complete)
2	50 VA Transformer w/ 4" x 4" mounting plate
3	50 VA Transformer w/ clamp mount
4	3 amp replacement fuse

Call for price and availability

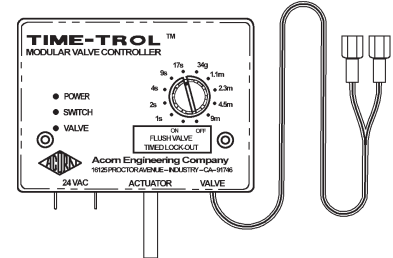
**CONTROLLER MAY ONLY
BE ORDERED AS A
COMPLETE UNIT**



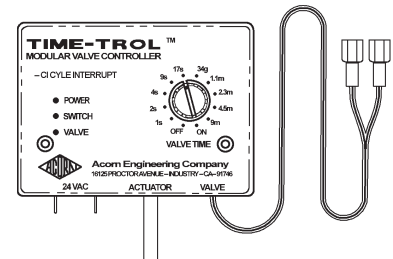
ACORN TIME-TROL VALVE CONTROLLER JUNE 1991 – PRESENT



1A



1B



1C

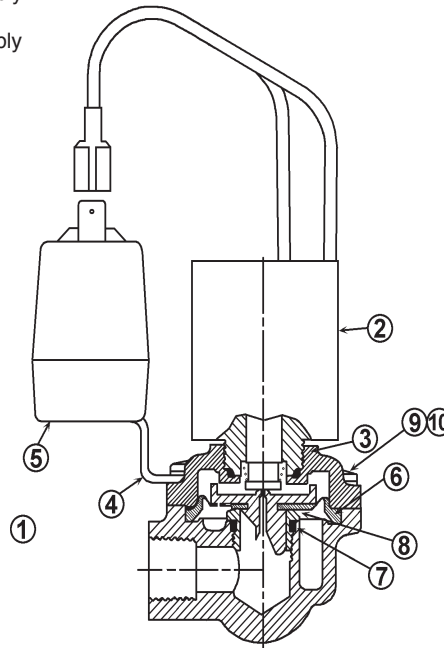
ITEM	DESCRIPTION
1A	Time-trol – standard configuration
1B	Time-trol w/ FV Lock-out option
1C	Time-trol w/ cycle interrupt option

Call for price and availability

**CONTROLLER MAY ONLY
BE ORDERED AS A
COMPLETE UNIT**

ACORN MASTER-TROL SOLENOID OPERATED VALVE ASSEMBLY – OLD STYLE – OCTOBER 1992 – APRIL 1994

ITEM	PART #	DESCRIPTION
1		Master-trol valve assembly – complete
2	41011142	24 VAC solenoid assembly
3		Solenoid bonnet
4		Branch box z-bracket
5		Branch box assembly
6	41011089	Water diaphragm assembly
7	41011017	O-ring
8		Valve seat
9		Lockwasher
10		Screw



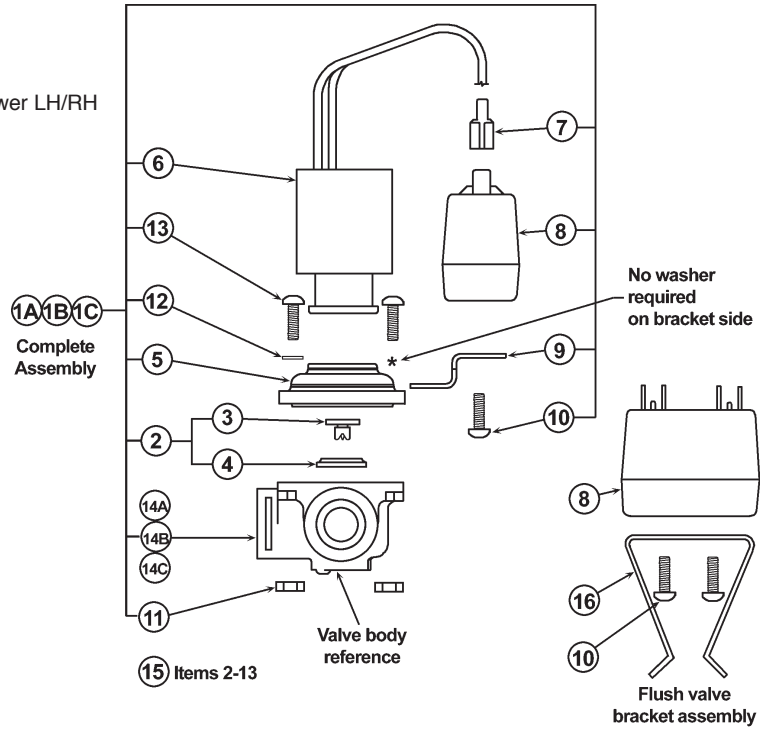


TOTAL MAINTENANCE SOLUTIONS

TOTAL MAINTENANCE SOLUTIONS
ACORN ENGINEERING
 FITTINGS AND VALVES

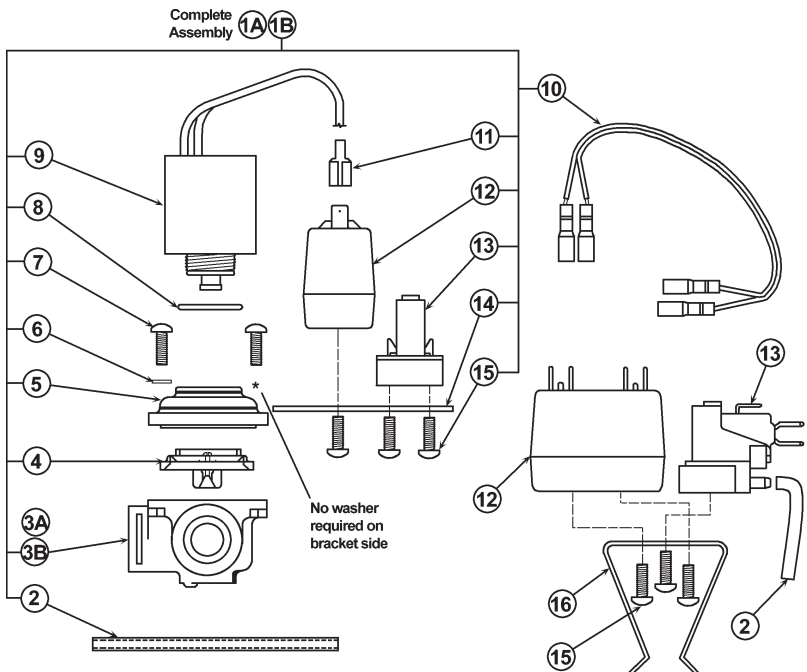
ACORN MASTER-TROL SOLENOID OPERATED VALVE ASSEMBLY
 APRIL 1994 – APRIL 1998

ITEM	PART #	DESCRIPTION
1A		Master-trol valve assembly LH
1B		Master-trol valve assembly RH
1C		Master-trol valve assembly MA lower LH/RH
2	41011089	Water diaphragm assembly (includes items 3 & 4)
5		Plastic solenoid bonnet
6	41011138	24 VAC solenoid assembly
7		Female 1/4" quick connector
8		Branch box assembly
9		Branch box z-bracket
10		Screw
11		Hex nut
12		Lockwasher
13		Screw
14A		Valve body LH
14B		Valve body RH
14C		Valve body MA lower LH/RH
15		Items 2-13
16		Branch box bracket – flush valve



ACORN MASTER-TROL SOLENOID VALVE / BRANCH BOX ASSEMBLY
 APRIL 1998 – PRESENT

ITEM	PART #	DESCRIPTION
1A		Master-trol valve assembly LH
1B		Master-trol valve assembly RH
2		Clear tubing
3A	41011119	Valve body LH
3B	41011118	Valve body RH
4	41011089	Water diaphragm assembly
5		Plastic solenoid bonnet
6		Lockwasher
7		Screw
8	41011140	O-ring
9	41011139	24 VAC solenoid assembly
10		Branch box connector wire
11		Female quick connector
12		Branch box assembly
13		Momentary air switch
14		Branch box bracket
15		Screw
16		Branch box bracket – flush valve



AMERICAN STANDARD

FITTINGS AND VALVES



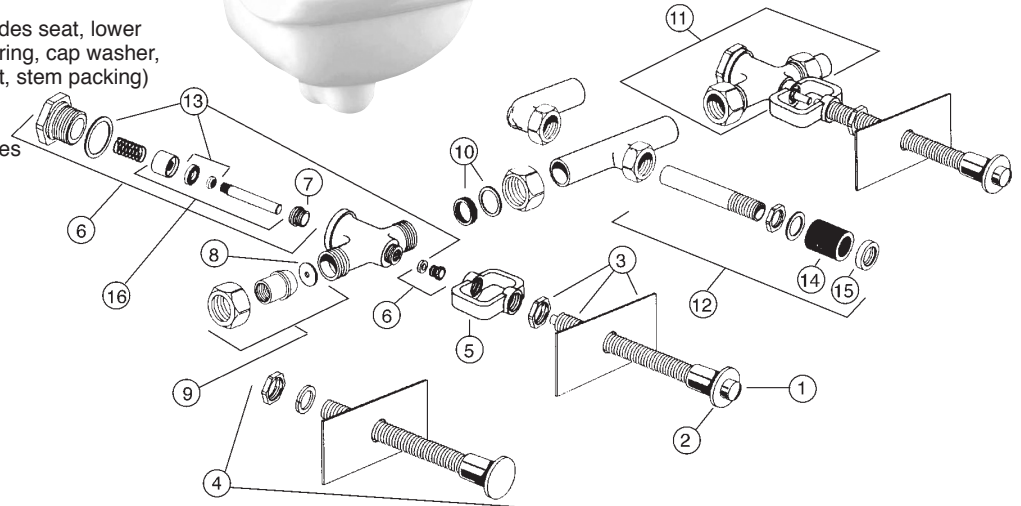
AMERICAN STANDARD PRISON LAVATORY

ITEM	PART #	DESCRIPTION
1	40120119	Pushbutton - cold
	40120120	Pushbutton - hot
2		Flange
3		Actuator pipe and bracket
4		Support bolt
5		Yoke
6	40120121	Valve rebuild kit (includes seat, lower stem, seat washer, spring, cap washer, blank cap, packing nut, stem packing)
7	40120113	Seat
8	40120114	Flow disc
9		Supply inlet kit (includes flow restricting disc and coupling)
10	40120115	Slip joint kit (includes slip joint washer and friction ring)
11	40121324	Valve
12		Supply connection
13	40120116	Packing kit (includes cap washer, brass washer, seat washer and stem packing)
14	40120117	Washer
15	40120118	Slip joint washer
16	40121031	Stem assembly



COMPLETE VALVE ASSEMBLY

0-4" American Standard # 2250.090
4-9" American Standard # 2250.108

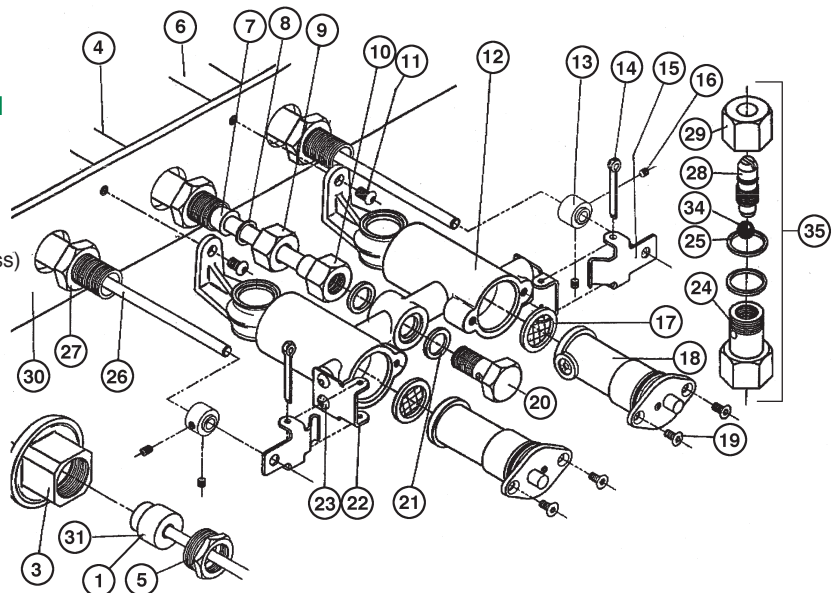


BRADLEY CORP

FITTINGS AND VALVES

BRADLEY HOT & COLD METERING VALVE 1021 (COMPLETE VALVE NO LONGER AVAILABLE)

ITEM	PART #	DESCRIPTION
1	41021252	Hot pushbutton*
2		Filler/bubbler
3		Escutcheon
4		Discharge tube (specify wall thickness)
5		Bushing
6		Push rod guide (0-4" or 4"-8" wall)
7		Slip joint washer
8		Friction ring
9		Slip joint nut
10		Bubbler/filler connection
11		Hex head cap screw
12		Valve body - NLA
13	41021255	Adjusting collar
14	41021320	Pivot pin
15	41021143	Lever bracket
16	41021321	Set screw
17	41021254	Filter disk
18	40120033	Cartridge assembly
19		Flat head screw
20	41021417	Bubbler connection plug
21		O-ring
22		Pivot bracket
23		Button head socket cap screw
24	41021420	Union supply/stop body
25	41021248	O-ring
26		Push rod
27		Locknut
28	41021249	Union supply/stop stem
29	41021250	Union supply/stop cap
30		Anchor plate - NLA



ITEM	PART #	DESCRIPTION
31	41021253	Cold pushbutton*
32		Lockwasher
34	41021171	Ball
35	41021221	Checkstop Repair Kit

* - Pushbutton with collar NLA. Replacement button available to use with existing collar.



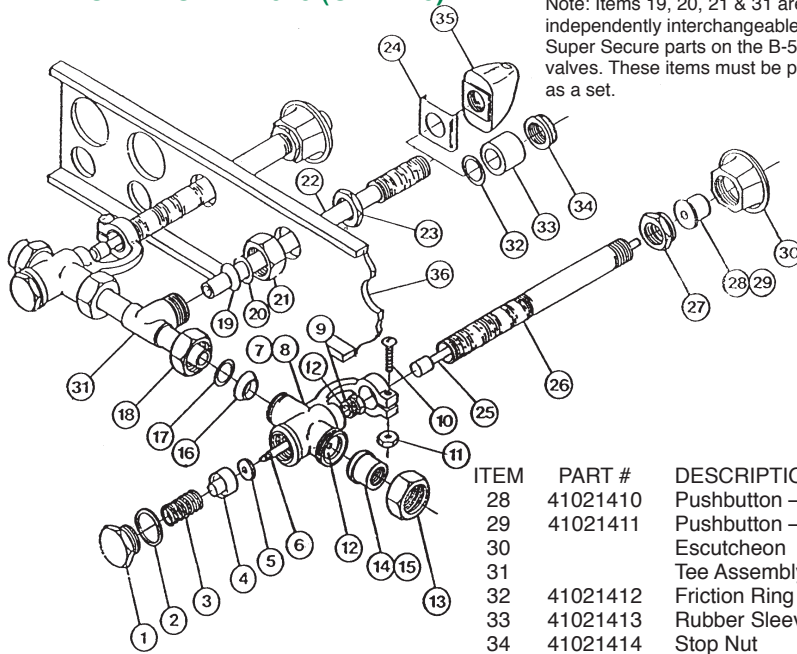
TOTAL MAINTENANCE SOLUTIONS

TOTAL MAINTENANCE SOLUTIONS BRADLEY CORP FITTINGS AND VALVES

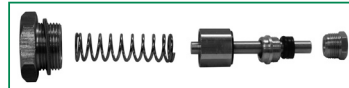
BRADLEY SUPER SECURE SECURITY FIXTURE MODEL 1025 (OLD B-5)

ITEM	PART #	DESCRIPTION
1	41021400	Cap nut
2	41021401	Cap gasket
3	41021402	Spring
4	41021403	Plunger
5	41021404	Seat washer
6	41021405	Plunger stem
7		Valve body
8	41021008	Renewable seat
9	41021406	Packing nut
10		Screw
11		Nut
12	41021407	Valve stem packing
13		Union nut
14		Union spud 3/8" NPT
15		Union spud 3/8" copper
16	41021408	Cone washer
17	41021409	Friction ring
18		Tee nut
19	41011003	Slip joint washer
20	41011004	Friction washer
21		Slip joint nut
22	*	Discharge tube
23		Locknut
24		Support bracket
25	*	Push rod assembly
26	*	Push rod guide
27		Bushing
	*	Complete valve

Note: Items 19, 20, 21 & 31 are not independently interchangeable with Super Secure parts on the B-5 Series valves. These items must be purchased as a set.



ITEM	PART #	DESCRIPTION
28	41021410	Pushbutton – Hot
29	41021411	Pushbutton – Cold
30		Escutcheon
31		Tee Assembly
32	41021412	Friction Ring
33	41021413	Rubber Sleeve
34	41021414	Stop Nut
35		Bubbler w/ mouthguard – code filler
35		Bubbler w/o mouthguard
36		Anchor Plate

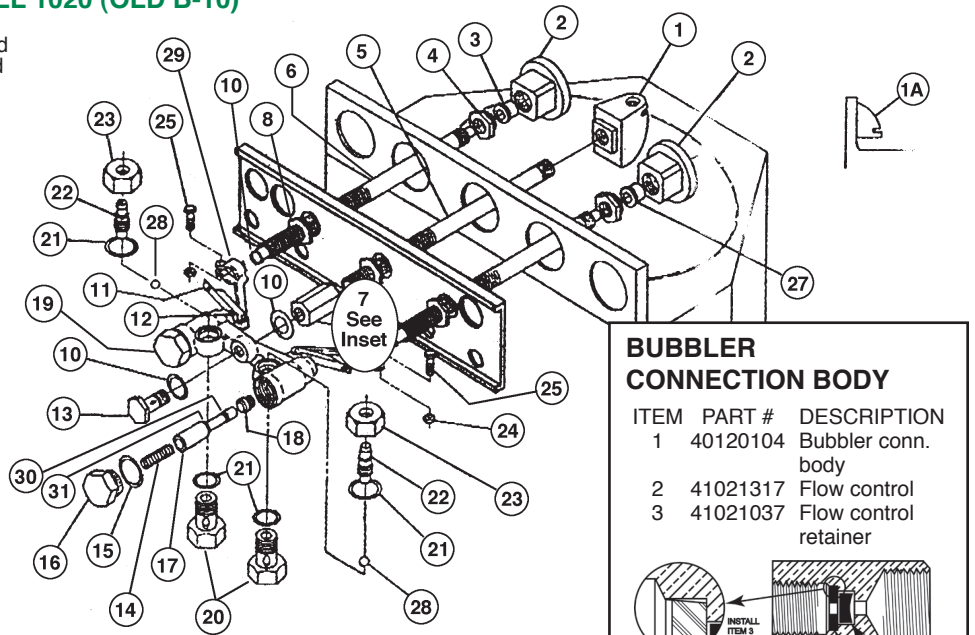


Stem Repair Kit (Items 1-6, 8, 9, 12)
PART # 41011239

* Specify wall thickness

BRADLEY SECURITY FIXTURE MODEL 1020 (OLD B-10)

ITEM	PART #	DESCRIPTION
1		Bubbler with mouthguard
1		Bubbler w/o mouthguard
1A		Filler only
2		Escutcheon
3	41021411	Cold pushbutton
4		Bushing
5	*	Discharge tube
6	*	Push rod guide
7	40120104	Connection body
8		Locknut
9	*	Push rod
10	41021020	Plug gasket
11	41021415	Lever
12	41021416	Lever roll pin
13	41021417	Bubbler connection plug
14	41021418	Spring
15	41021026	Valve gasket
16	41021419	Cap nut
17	40120105	Main stem assembly
18	41021008	Renewable seat
19		Valve body
20	41021420	Supply stop body
21	41021030	Stop gasket - 1" OD
22	41021249	Supply stop stem assembly
23	41021250	Supply stop cap
24	41021421	Yoke nut
25	41021422	Yoke screw
26		Valve mounting plate
27	41021410	Hot pushbutton
28	41021171	Ball
29		Collar assembly
30	40950017	Stem o-ring
31	40110163	Stem washer
	*	Specify wall thickness



BUBBLER CONNECTION BODY

ITEM	PART #	DESCRIPTION
1	40120104	Bubbler conn. body
2	41021317	Flow control
3	41021037	Flow control retainer

INSTALL ITEM 3 WITH DRAFT OR CHAMFER AS SHOWN



Stem Repair Kit (Items 14-18, 30, 31)
PART # 41011041



Checkstop Repair Kit (Items 20-23, 28)
PART # 41021221

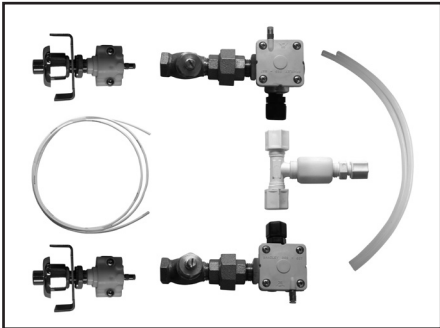
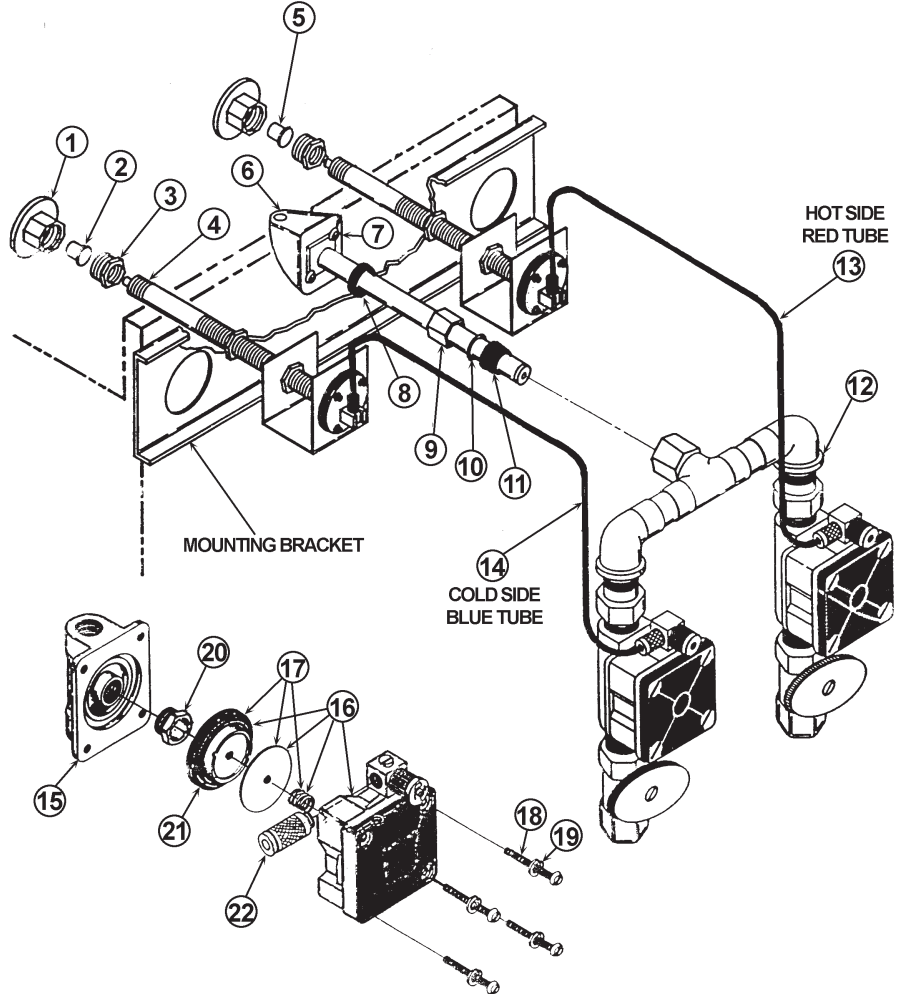
Toll Free Telephone: 877/867-8675 • Toll Free Fax: 877/867-8674
www.tms4parts.com

TOTAL MAINTENANCE SOLUTIONS
BRADLEY CORP
 FITTINGS AND VALVES



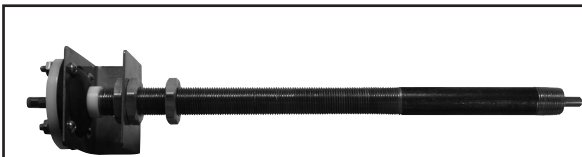
BRADLEY AIR VALVE MODELS 1030 THRU 1036

ITEM	PART #	DESCRIPTION
1	40120623	Escutcheon
2	41021411	Pushbutton - cold
3		Bushing
4		Pushbutton assembly (0"-4", 4"-8")
5	41021410	Pushbutton - hot
6		Penal filler
7		Screw
8		Grommet
9		Nut
10		Friction ring
11	41021423	Washer
12	41021424	Air valve assembly
13	41021425	Red tubing 1/8" x 60"
14	41021318	Blue tubing 1/8" x 60"
15		Valve body
16	41021426	Huba valve repair kit
17	40120099	Diaphragm repair kit
18		Screw
19		Lock washer
20	41021045	Valve seat
21	40120100	Diaphragm
22	41021427	Timer repair kit



RETROFIT KIT FOR BRADLEY MODEL 1020

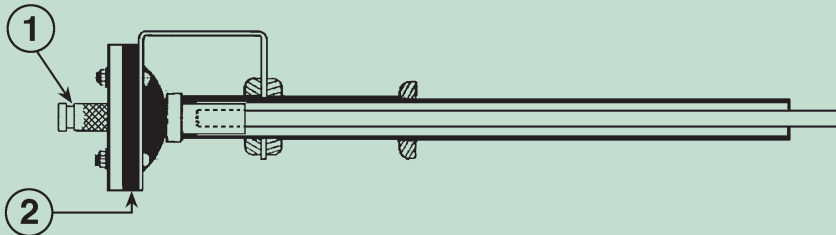
(For fixtures with access to chase) Includes valve assembly, pushbuttons and tubing
 PART # 41021048



PUSHBUTTON ASSEMBLY FOR BRADLEY MODEL 1020

(For fixtures without access to chase)

PART #	DESCRIPTION
41021222	Pushbutton assembly for wall thickness 0 - 4"
41021223	Pushbutton assembly for wall thickness 4" - 8"
40121224	Pushbutton assembly for wall thickness 8" - 12"



PUSHBUTTON ASSEMBLY

ITEM	PART #	DESCRIPTION
1	41021296	Tube connector
2	41021299	Diaphragm

Toll Free Telephone: 877/867-8675 • Toll Free Fax: 877/867-8674

www.tms4parts.com



TOTAL MAINTENANCE SOLUTIONS

BRADLEY 5180 THRU 5195 BARRIER FREE COMBINATION

TOTAL MAINTENANCE SOLUTIONS
BRADLEY CORP
 FITTINGS AND VALVES

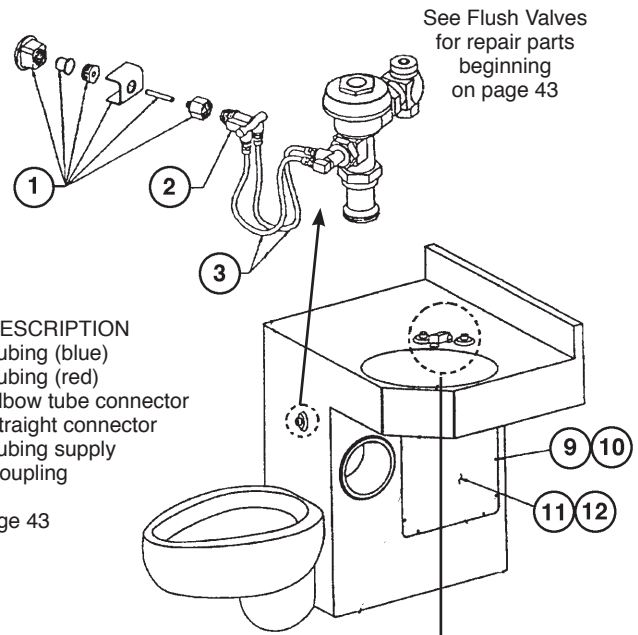


Model 5180

ITEM	PART #	DESCRIPTION
1	*	Flush pushbutton assembly
2	*	Hydraulic actuator
3		Tubing
9		Screw
10		Hex key
11		Toilet access panels (side)
12		Toilet access panel (beneath lavatory)
13		Lavatory spout
14		Abrasive washer

ITEM	PART #	DESCRIPTION
15	41021318	Tubing (blue)
16	41021425	Tubing (red)
17		Elbow tube connector
17A		Straight connector
18	41021300	Tubing supply
19		Coupling

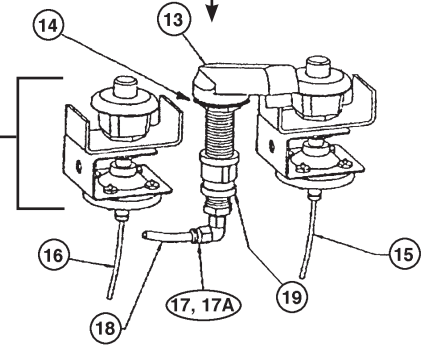
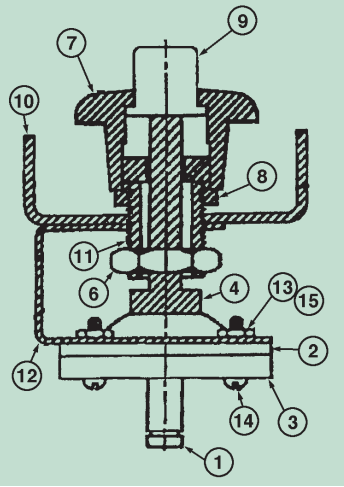
* see Flush Valves page 43



See Flush Valves for repair parts beginning on page 43

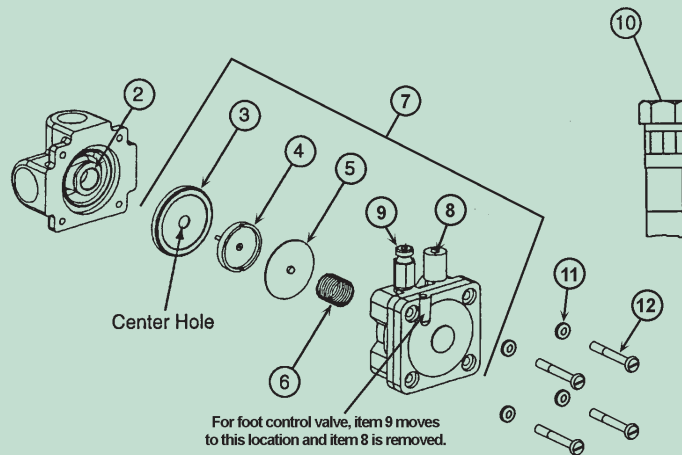
PUSHBUTTON ASSEMBLY

ITEM	PART #	DESCRIPTION
1		Male connector
2	41021428	Diaphragm
3		Back plate
4		Push rod cap
6		Pipe lock nut
7	41021301	Escutcheon
8		Bushing
9	41021411	Pushbutton – cold
	41021410	Pushbutton – hot
10		Metering bracket
11		Push rod guide
12		Push rod bracket
13		Hex nut
14		Screw
15		Lock washer



BRADLEY AIR METERING VALVE

ITEM	PART #	DESCRIPTION
2	41021045	Valve seat
3	40120100	Rubber diaphragm
4	40120203	Plastic disk
5		Stainless steel disk
6		Spring
3-6	40120099	Universal repair kit
7	41021297	Hand repair kit
7	41021426	Foot repair kit
8		Timer assembly
9		Tube connector 1/8" straight
10	41021053	Filter Washer (inside Flex hose)
11		Lockwasher
12		Screw



For foot control valve, item 9 moves to this location and item 8 is removed.

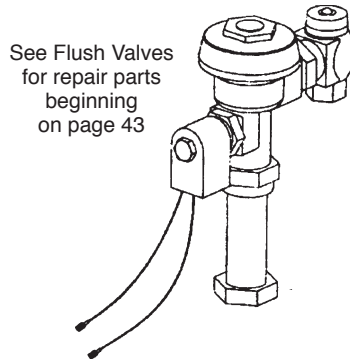
TOTAL MAINTENANCE SOLUTIONS
BRADLEY CORP
 FITTINGS AND VALVES



BRADLEY 5180 THRU 5195 BARRIER FREE COMBINATION

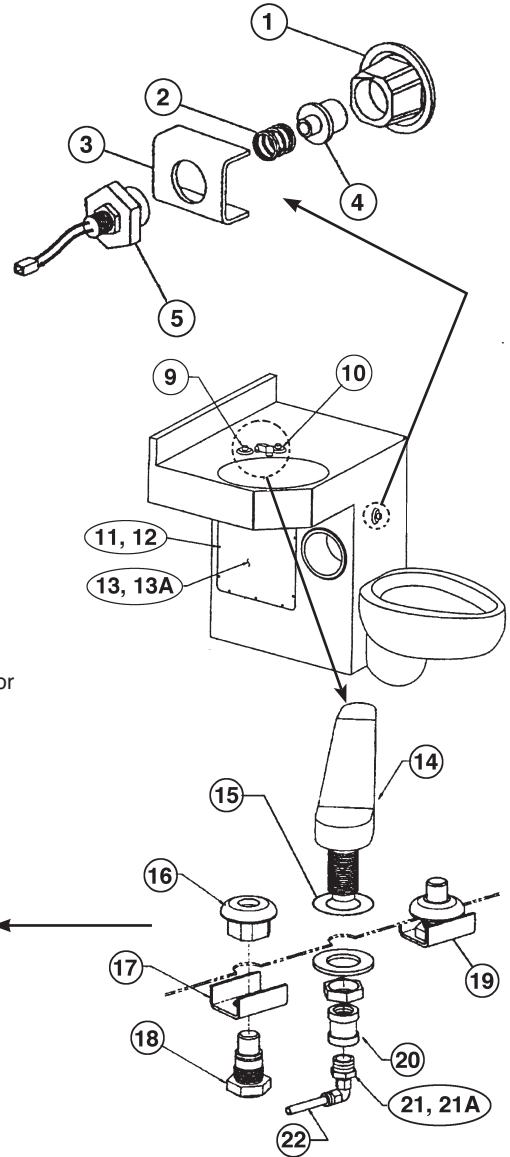


Model 5180



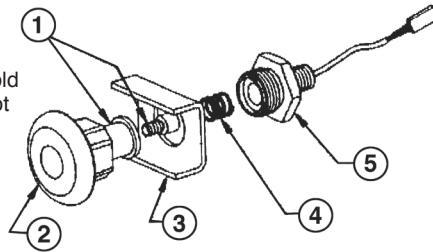
ITEM	PART #	DESCRIPTION
1	40120623	Escutcheon
2		Spring
3		Bracket
4	41021302	Flush pushbutton assembly
5		Sensor bushing assembly
9	41021303	Hot pushbutton
10	41021304	Cold pushbutton
11		Screw
12		Hex key
13		Straight toilet access panels (side)
13A		Straight toilet access panels (beneath lavatory)

ITEM	PART #	DESCRIPTION
14		Lavatory spout
15		Abrasive washer
16	40120623	Escutcheon
17		Bracket
18	41021303	Pushbutton assembly (hot)
19	41021304	Pushbutton assembly (cold)
20		Coupling
21		Elbow tube connector
21A		Straight connector
22	41021300	Tubing supply



MICRO-TOUCH PUSH BUTTON COMPONENTS

ITEM	PART #	DESCRIPTION
1	41021304	Mag. push assy – cold
	41021303	Mag. push assy – hot
2	40120623	Escutcheon
3		Bracket
4		Spring
5		Sensor Bushing Assembly



BRADLEY SOLENOID VALVE ASSEMBLY (FOR FIXTURES WITH ELECTRONIC FLUSH AND LAVATORY VALVES)

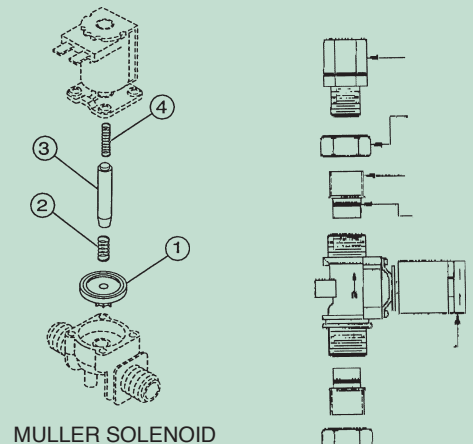
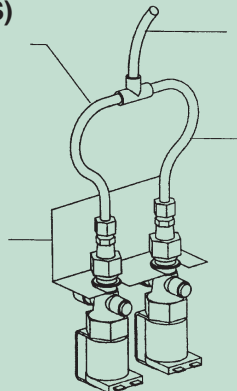
ITEM	PART #	DESCRIPTION
1	40900038	Tee connector (brass 1/4")
2, 4	41021300	Tubing supply (1/4" x 60")
3		Hot and cold solenoid valve assembly

MULLER SOLENOID REPAIR KIT

5-8	41021309	Solenoid repair kit
-----	----------	---------------------

SOLENOID VALVE ASSEMBLY

9		Tube connector
10		Tailpiece nut
11		Tailpiece
12	41021247	O-ring
13	41021310	Solenoid valve



MULLER SOLENOID

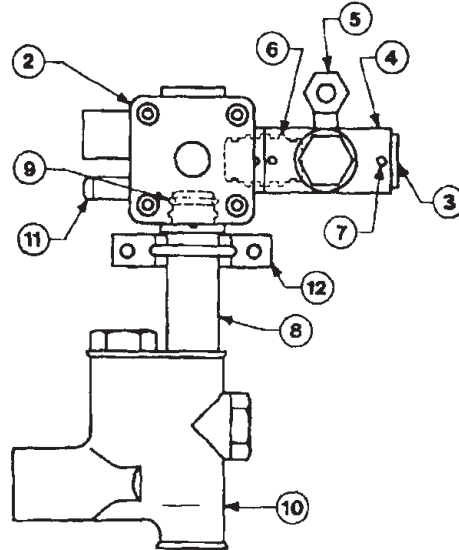


TOTAL MAINTENANCE SOLUTIONS

BRADLEY MANIFOLD SERVICE PARTS

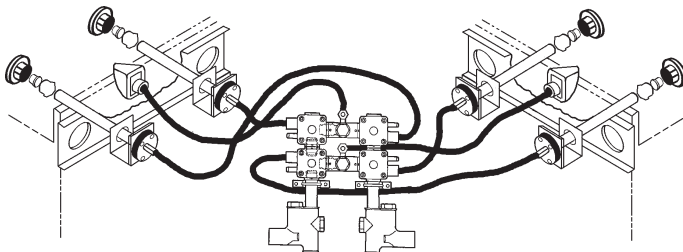
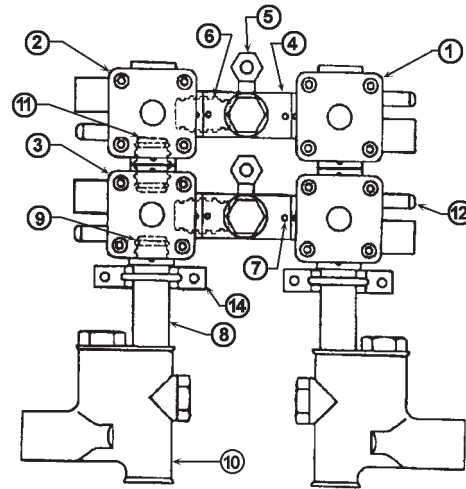
BRADLEY MANIFOLD ASSEMBLY NO. 1031 (S45-952)

ITEM	PART #	DESCRIPTION
2		Assembly-R-outlet
3		Manifold plug
4	41021305	Flow control assembly
5	41021306	90° Tube connector
6	41021062	Manifold/check assembly
7	41021063	Set screw
8	41021307	Manifold adaptor
9	41021319	O-ring
10	40120103	Stop/strainer/check
11		Male connector
12		Pipe Strap
13	41021068	Repair kit for check valve



BRADLEY MANIFOLD ASSEMBLY NO. 1034 (2 CELL) AND 1035 (S45-951) – 3 CELL

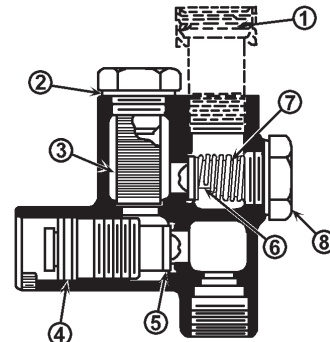
ITEM	PART #	DESCRIPTION
1		Assembly-L-outlet
2		Assembly-R-outlet
3		Assembly-Flo/thru
4	41021305	Flow control assembly
5	41021306	90° Tube connector
6	41021062	Manifold/check assembly
7	41021063	Set screw
8	41021307	Manifold adaptor
9	41021319	O-ring
10	40120103	Stop/strainer/check
11	41021308	Manifold adaptor
12		Male connector
13	41021068	Repair kit for check valve
14		Pipe strap



BRADLEY COMBINATION CHECK VALVE ASSEMBLY REPAIR KIT (ITEM 13)

ITEM	DESCRIPTION
1	Tailpiece washer (2)
2	Fiber washer (2)
3	Screen
4	O-ring
5	Stop assembly washer
6	Check assembly
7	Spring
8	Plug – brass (2)

PART # 41021068



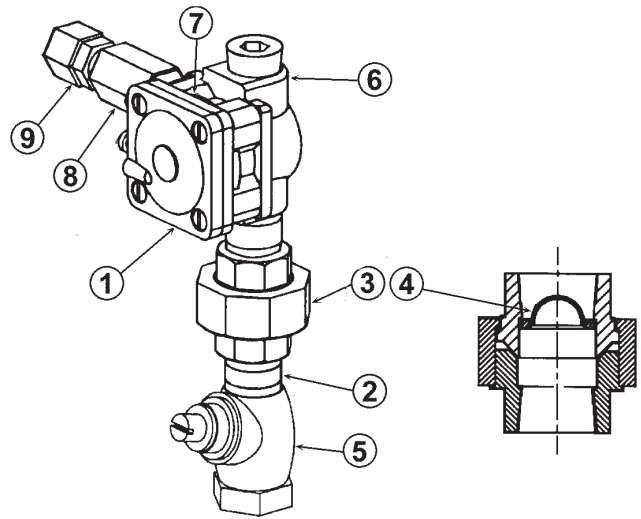
Toll Free Telephone: 877/867-8675 • Toll Free Fax: 877/867-8674
www.tms4parts.com

TOTAL MAINTENANCE SOLUTIONS
BRADLEY CORP
 FITTINGS AND VALVES



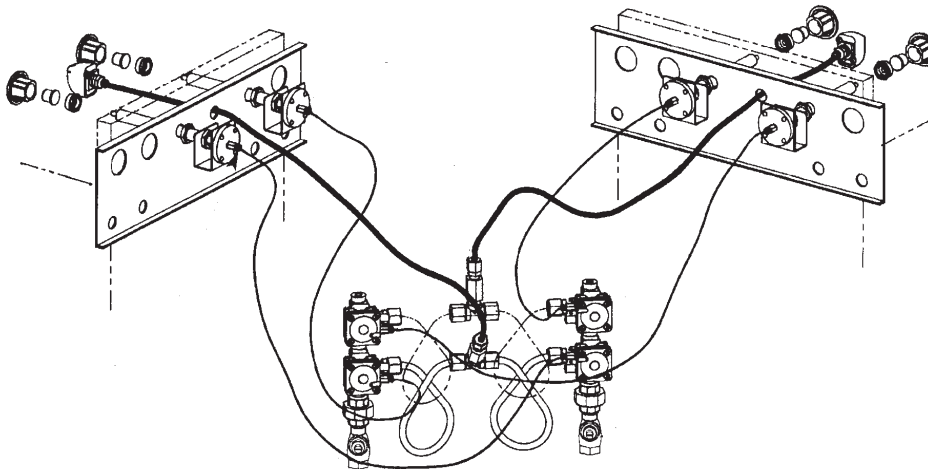
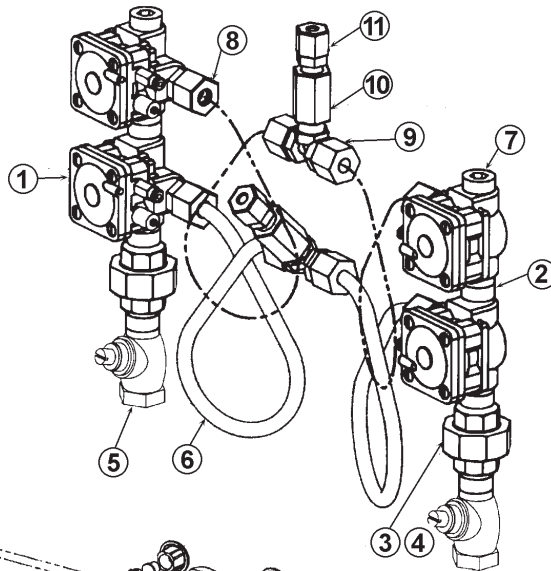
BRADLEY MANIFOLD SERVICE PARTS
BRADLEY MANIFOLD ASSEMBLY NO. 1031 (S45-1305)

ITEM	PART #	DESCRIPTION
1		Air valve assembly
2		1/2" Nipple
3		Union
4	41021311	Filter washer
5		Check stop
6		Pipe plug
7	40900183	3/8" Close nipple
8	41021312	Housing assembly
9	40900051	Male connector



BRADLEY MANIFOLD ASSEMBLY NO. 1034 (S45-1308)

ITEM	PART #	DESCRIPTION
1		Air valve assembly
2		1/2" Nipple
3		Union
4	41021311	Filter washer
5		Check stop
6		3/8" Nylon tubing
7		Pipe plug
8	41021071	Check assembly
9	41021072	3/8" Male tee
10	41021312	Housing assembly
11	40900051	Male connector

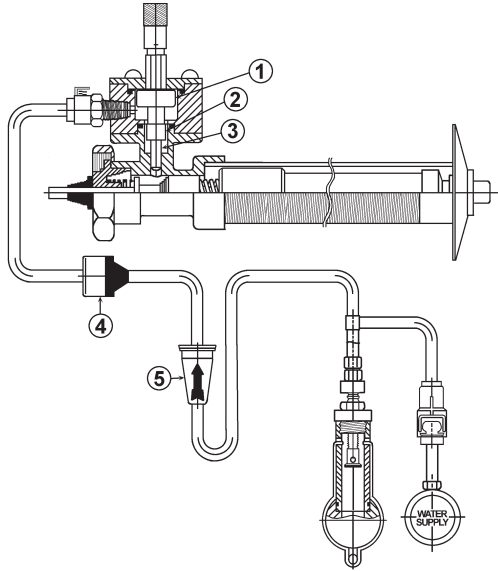




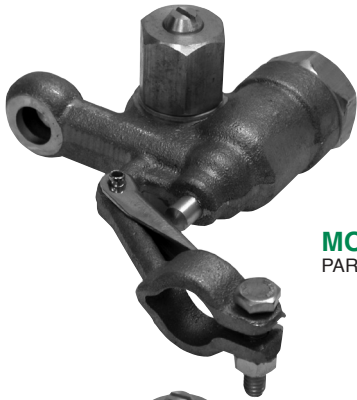
TOTAL MAINTENANCE SOLUTIONS

BRADLEY #1800 FLOODBUSTER

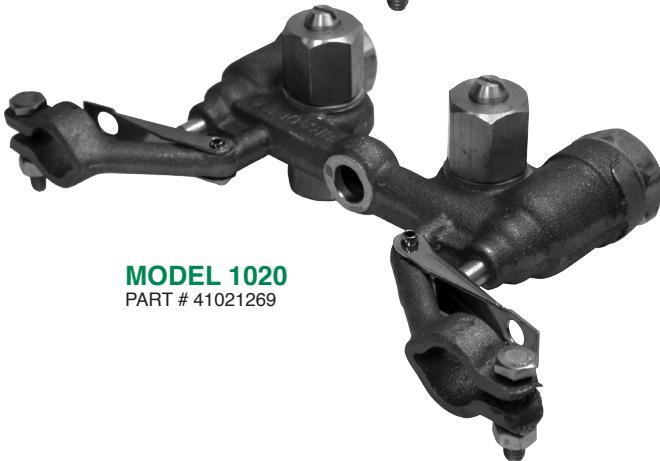
PARTS NO LONGER AVAILABLE



COMPLETE VALVES AVAILABLE FROM BRADLEY



MODEL 1010
PART # 41021270

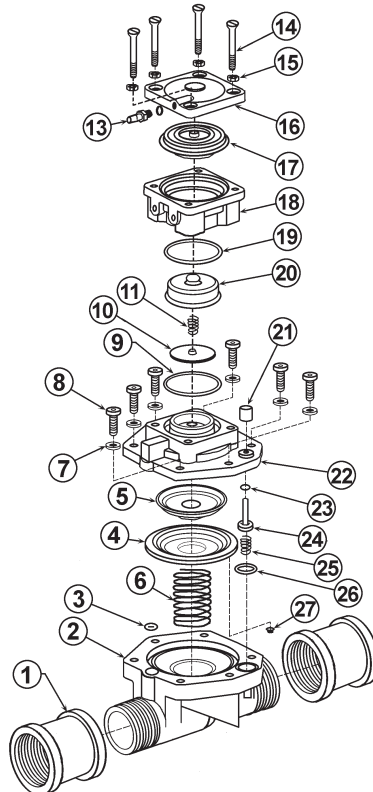


MODEL 1020
PART # 41021269

TOTAL MAINTENANCE SOLUTIONS
BRADLEY CORP
FITTINGS AND VALVES

BRADLEY 1" BUBA – NORMALLY OPEN VALVE

ITEM	PART #	DESCRIPTION
1		Coupling – female
2		Valve body
3		Parker O-ring
4	41021075	Diaphragm
5	41021313	Seat guide
6	41021314	Spring
7		Lockwasher
8		BX screw #10 x 3/4
9	41021315	O-ring
10		Grommet
11	41011088	Spring
13		BX hose barb
14		BX screw 8-32 x 1-1/4
15		BX lock washer
16		BX valve cover remote
17	41021316	Magnet assembly
18		BX valve body
19	41011092	O-ring
20		BX divider plate
21		Button
22		Valve cover
23		O-ring
24		Poppet
25		Spring
26		O-ring
27		Screen
28		Check valve
29		Tube
30		O-ring
31		Coupler – Male

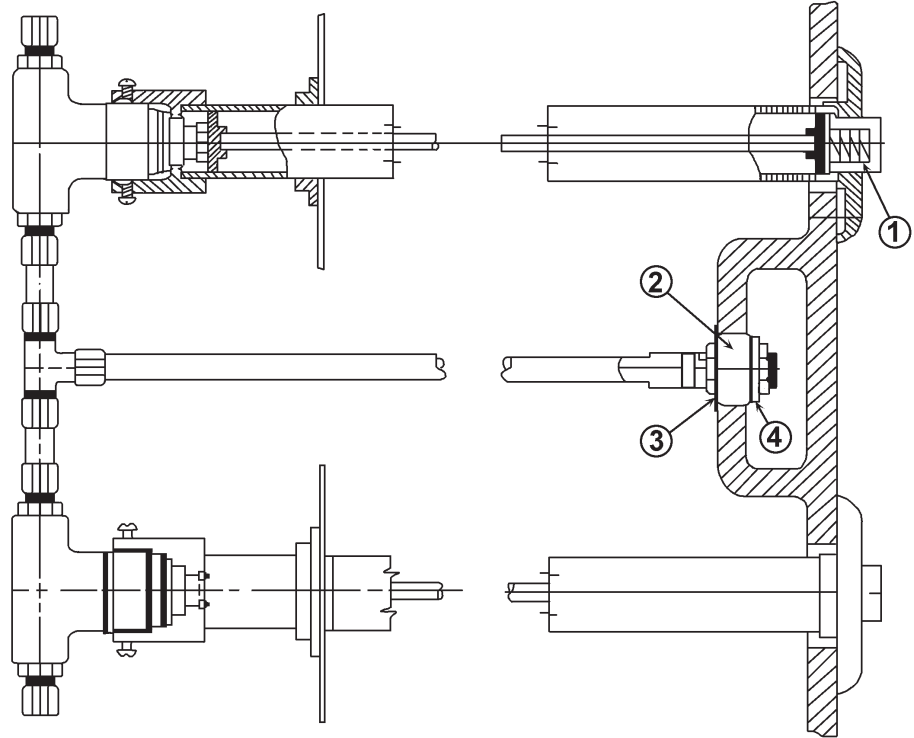


TOTAL MAINTENANCE SOLUTIONS
CRANE PLUMBING
 FITTINGS AND VALVES



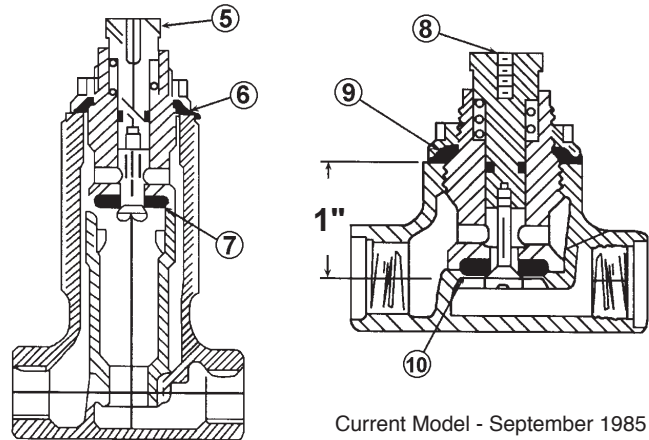
CRANE PRISON LAVATORY FITTING

ITEM	PART #	DESCRIPTION
1	40120122	Spring
2	NLA	Rubber spud
3	40120510	Washer
4	40120511	Washer
5, 8	40120611	Cartridge
6, 9	40120254	Gasket
7, 10	40120524	Seat ring



CRANE PRISON LAVATORY STEM

ITEM	PART #	DESCRIPTION
1	40120611	Cartridge
2	40120524	Washer
3	40120515	Screw (Brass)
3	NLA	Screw (Monel)



COMPLETE VALVE ASSEMBLIES AVAILABLE:

CRANE PART #	DESCRIPTION
C-1216	0 - 4" wall
C-1217	4" - 8" wall



TOTAL MAINTENANCE SOLUTIONS

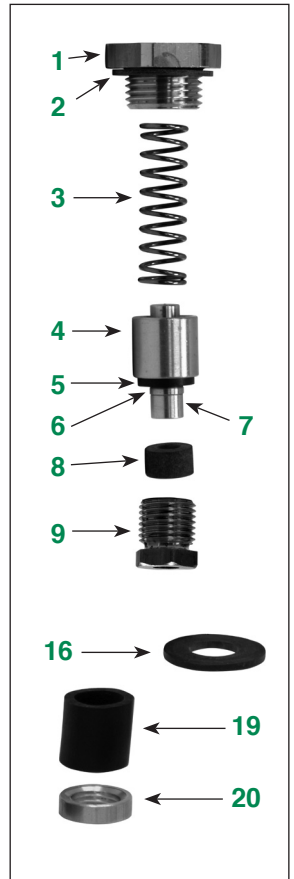
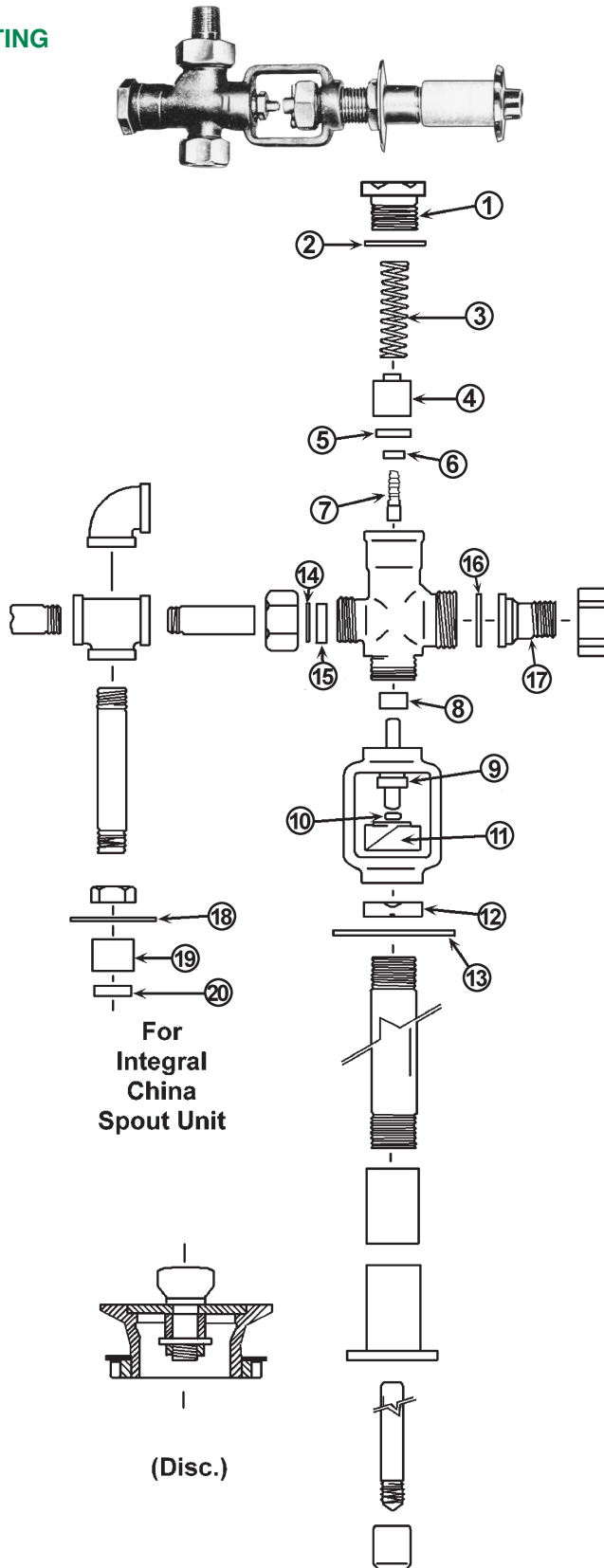
ELJER PRISON LAVATORY FITTING

ITEM	PART #	DESCRIPTION
1	40130111	Cap
2	40130112	Gasket
3	40130526	Spring
4	40130058	Valve head
5	40130059	Seat washer
6	40130060	Collar
7	40130061	Valve stem
8	40130062	Packing
9	40130063	Packing nut
10	40130064	Cotter pin
11	40130065	Friction washer
12	40130066	Locknut
13	40130067	Washer
14	40130068	Friction ring
15	40130069	Slip joint gasket
16	40130070	Gasket
17	40130071	Tailpiece
18	40130072	Washer
19	40130073	Expansion gasket
20	40130074	Collar
21	40130068	Friction ring
22	40130076	Slip joint gasket
23	40130066	Locknut
24	40130078	Washer (2)

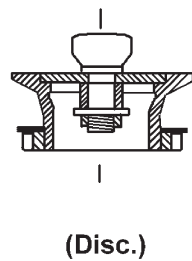
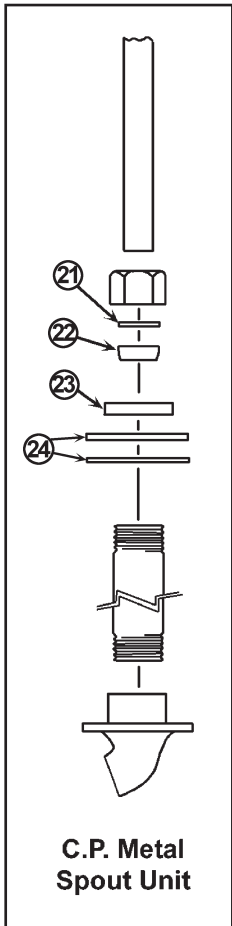
TOTAL MAINTENANCE SOLUTIONS

ELJER

FITTINGS AND VALVES



Repair Kit PART #40130730
Includes items 1, 2, 3, 4, 5, 6,
7, 8, 9, 16, 19 & 20



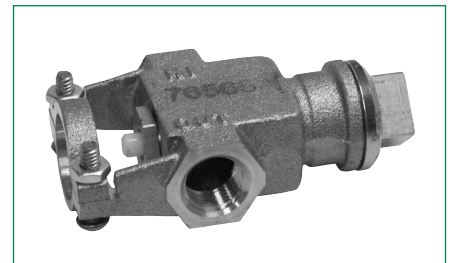


KOHLER INSTITUTIONAL LAVATORY FITTING

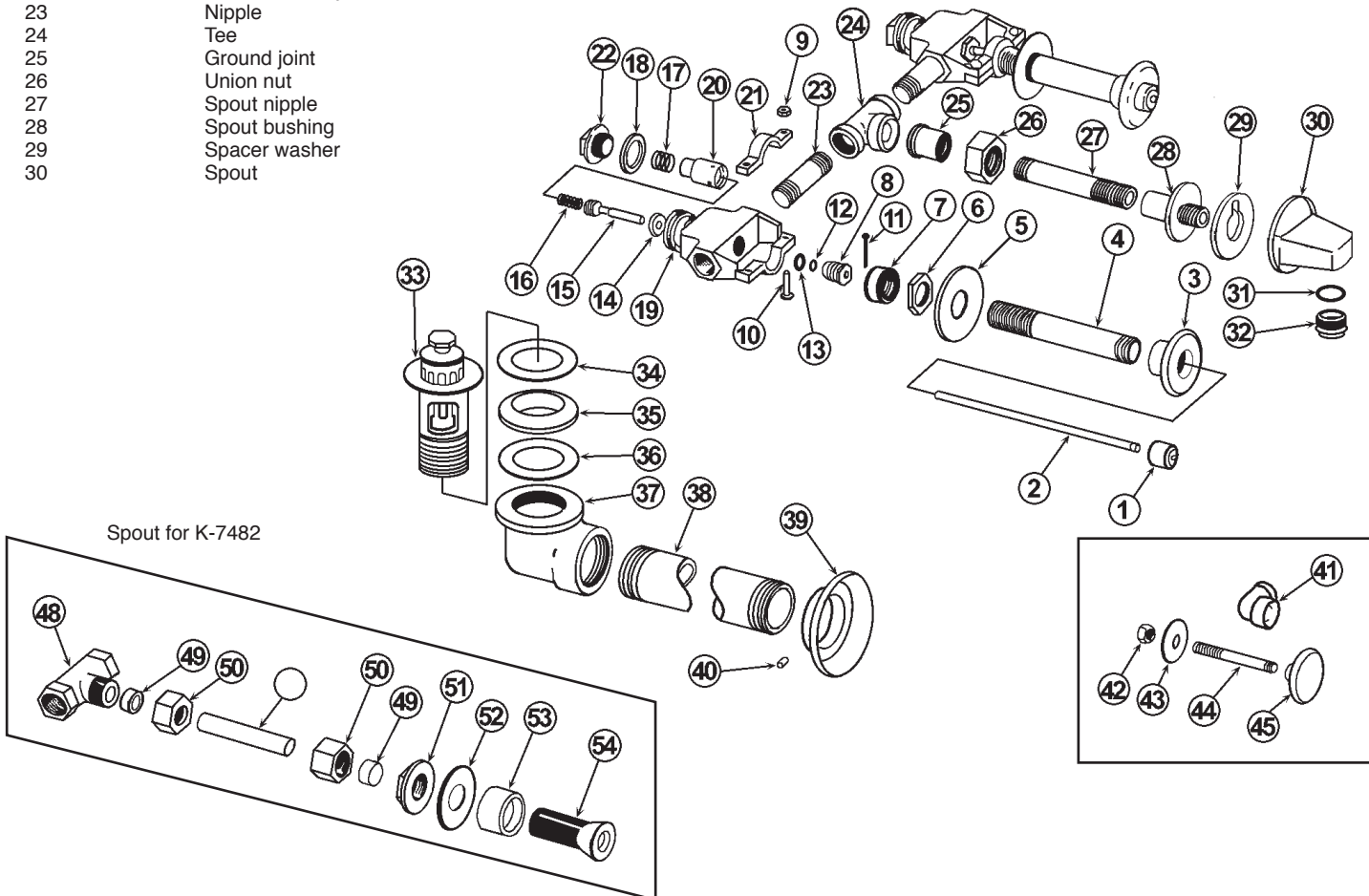
ITEM	PART #	DESCRIPTION	ITEM	PART #	DESCRIPTION
1	40130079	Pushbutton - hot	31	40140056	Gasket
	40130079	Pushbutton - cold	32	40140057	Adapter
2		Push rod (specify length)	33	40140058	Strainer assy.
3		Flange	34	40140059	Washer
4		Tube (specify length)	35	40140060	Gasket
5	40140041	Washer	36	40140059	Washer
6	40140042	Locknut	37		Outlet ell
7	40140043	Adapter	38		Nipple (specify length)
8	40140044	Packing nut	39		Wall flange
9		Nut	40		Set screw
10	40140045	Screw	41		Union ell
11	40140046	Cotter pin	42		Nut
12	40950017	O-Ring	43		Washer
13	40140047	Washer	44		Stud
14	40140048	Seat washer	45		Bolt head
15	40140049	Stem	42-45	40140062	Bolt assy.
16	40140050	Spring	48		Tee
17	40140051	Spring	49-50	40140063	Valve rebuild kit
18	40140052	Washer	51-54	40140064	Spud assy.
19		Valve body			
12-19	40141402	Valve rebuild kit			
20	40140053	Dash pot			
21		Strap			
22	40140054	Cap			
9-22	40140055	Valve assembly			
23		Nipple			
24		Tee			
25		Ground joint			
26		Union nut			
27		Spout nipple			
28		Spout bushing			
29		Spacer washer			
30		Spout			



Valve Rebuild Kit includes items 12-19
PART # 40141402



Complete Valve Assembly (items 9-22)
PART # 40140055





TOTAL MAINTENANCE SOLUTIONS

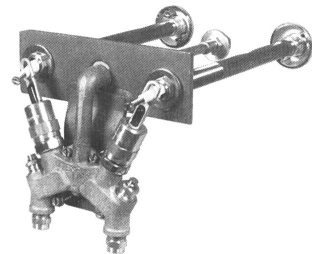
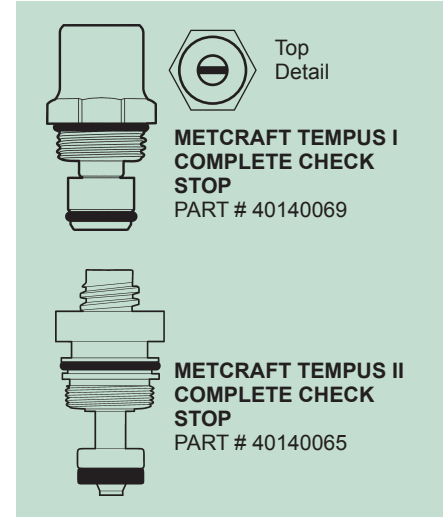
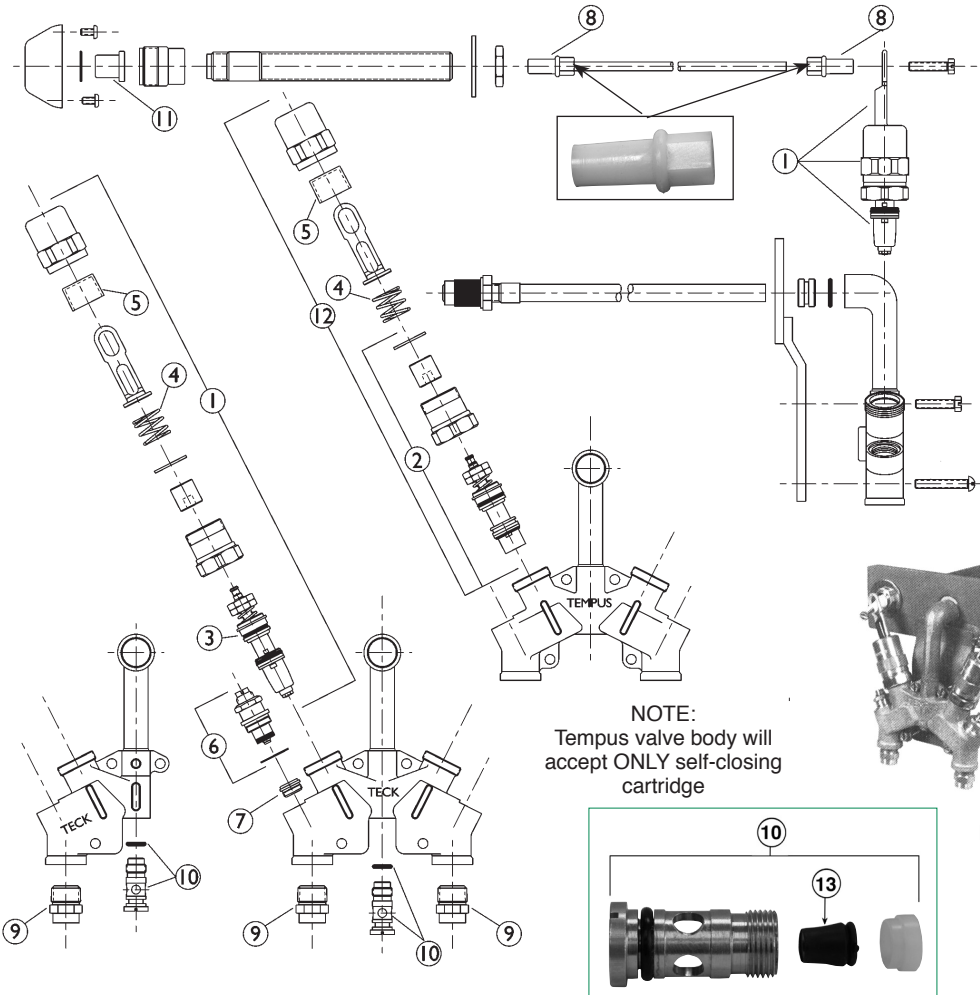
METCRAFT TEMPUS II

ITEM	PART #	DESCRIPTION	ITEM	PART #	DESCRIPTION
1		TECK prison metering assembly	10	40140067	2.5 gpm flow control assembly for Eljer & Crane fixtures
2	40140036	TEMPUS Self close cartridge kit less handle		40140068	0.5 gpm flow control assembly for American Standard fixtures
3	40140174	Teck metering cartridge			VR CP pushbutton
4	40140197	Springs	11		TEMPUS Self closing cartridge with handle
5	40140198	Plastic insert	12	40130736	.5 gpm flow control
6	40140065	Check stop assembly	13	41011114	.7 gpm flow control
7		Renewable seat		41011135	2.5 gpm flow control
8	40141401	Push rod tips			
9		1/2" MIP x copper adapter			

TOTAL MAINTENANCE SOLUTIONS

METCRAFT

FITTINGS AND VALVES



NOTE: Tempus Pre-1992 Teck 1992-1998, marking on cast body



OLD STYLE NLA

NEW METERING
(USE ONLY ON TECK VALVE)

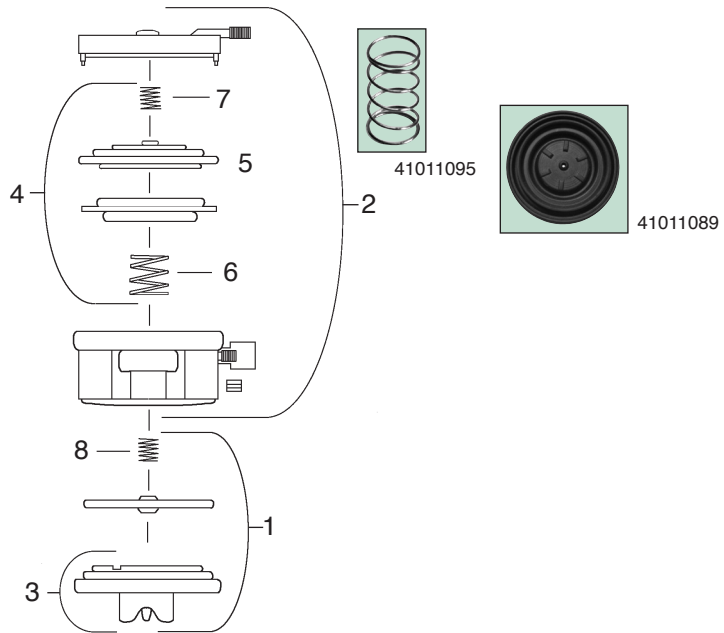
NON METERING SHOWN

METAL METCRAFT TEMPUS II METERING CARTRIDGE REPLACED BY PLASTIC SELF-CLOSING CARTRIDGE
PART # 40140036

VALVE REPAIR KIT (METERING & NON METERING)
Includes items 1(2), 2, 3 & 4 plus lube capsule
Part # 40140071

**METCRAFT PNEUMATIC & METRO-FIT
SERVO REPLACEMENT PARTS**

ITEM	PART #	DESCRIPTION
1	40140072	PVK-2 water diaphragm kit
	40621002	Replacement water diaphragm kit
2	40140033	PVK-1 pneumatic top assembly
3	41011089	Water diaphragm assembly
4	41021163	Pneumatic diaphragm kit
5	41011096	Pneumatic metering diaphragm
6	41011091	Actuator spring
7	41011095	Diaphragm spring – metering
8	41011088	Orifice spring



**METCRAFT PNEUMATIC
BUTTON ASSEMBLY**

ITEM	PART #	DESCRIPTION
1		Escutcheon
2		Pushbutton
3		Lock nut
4	40140032	Pod assembly
5		Nut for 1/8" tube

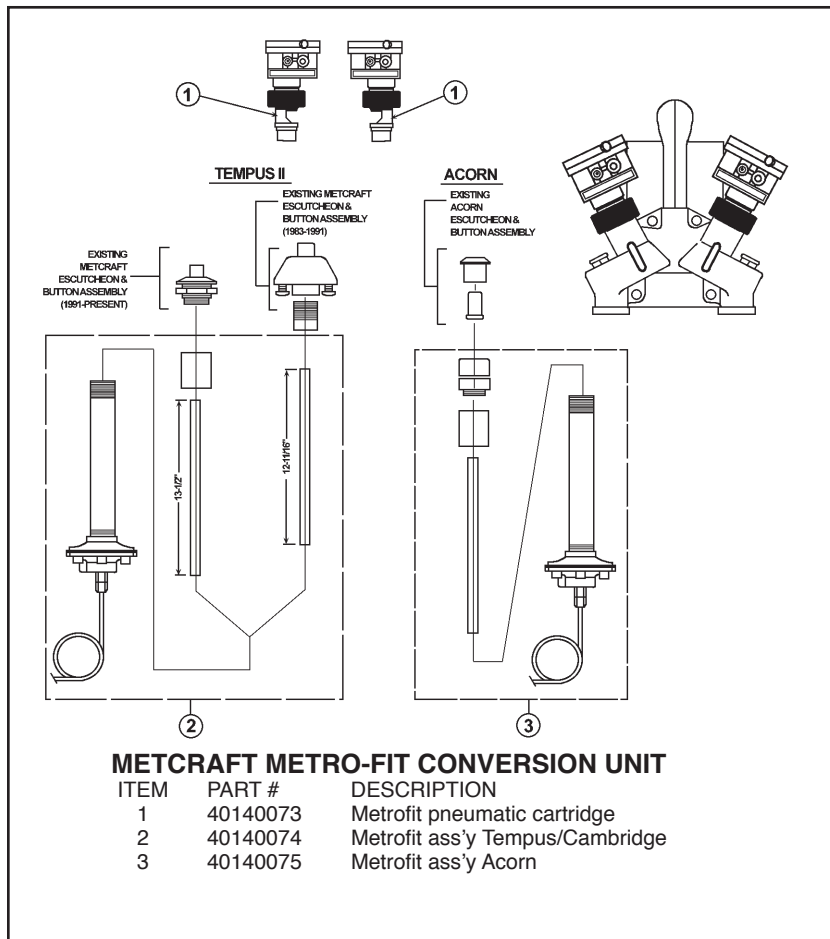
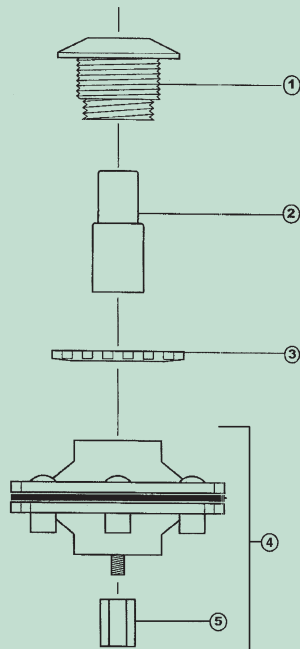
The 1/8" nut is included in the pod assembly. It is also available as an individual part.



OLD STYLE NO LONGER AVAILABLE
Order PART # 40140032



PART #
40140032



METCRAFT METRO-FIT CONVERSION UNIT

ITEM	PART #	DESCRIPTION
1	40140073	Metrofit pneumatic cartridge
2	40140074	Metrofit ass'y Tempus/Cambridge
3	40140075	Metrofit ass'y Acorn



TOTAL MAINTENANCE SOLUTIONS

METCRAFT FLOW CONTROL ASSEMBLIES FOR SINGLE TEMP LAVATORY AND SHOWER VALVES



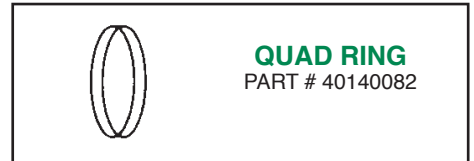
.5 GPM
PART # 40140076

2.5 GPM
PART # 40140077



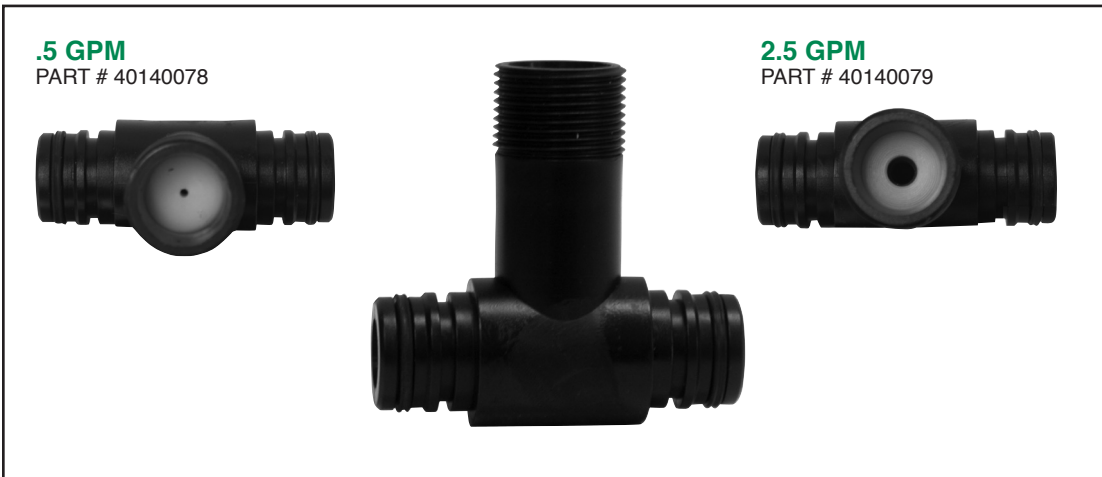
METCRAFT S/S C-CLIP
PART # 40140080

C-Clips are not included in flow control elbow assemblies or flow control tee assemblies. If required, order 1 clip per elbow or 2 clips per tee.



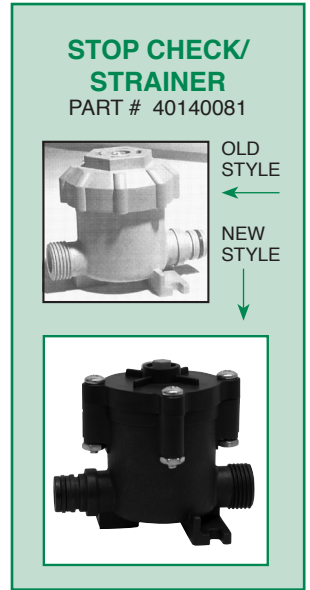
QUAD RING
PART # 40140082

METCRAFT FLOW CONTROL TEE ASSEMBLIES FOR DUAL TEMP LAVATORY AND SHOWER VALVES



.5 GPM
PART # 40140078

2.5 GPM
PART # 40140079



STOP CHECK/ STRAINER
PART # 40140081

OLD STYLE
←
NEW STYLE
↓



MANIFOLD BASE
PART # 40140610

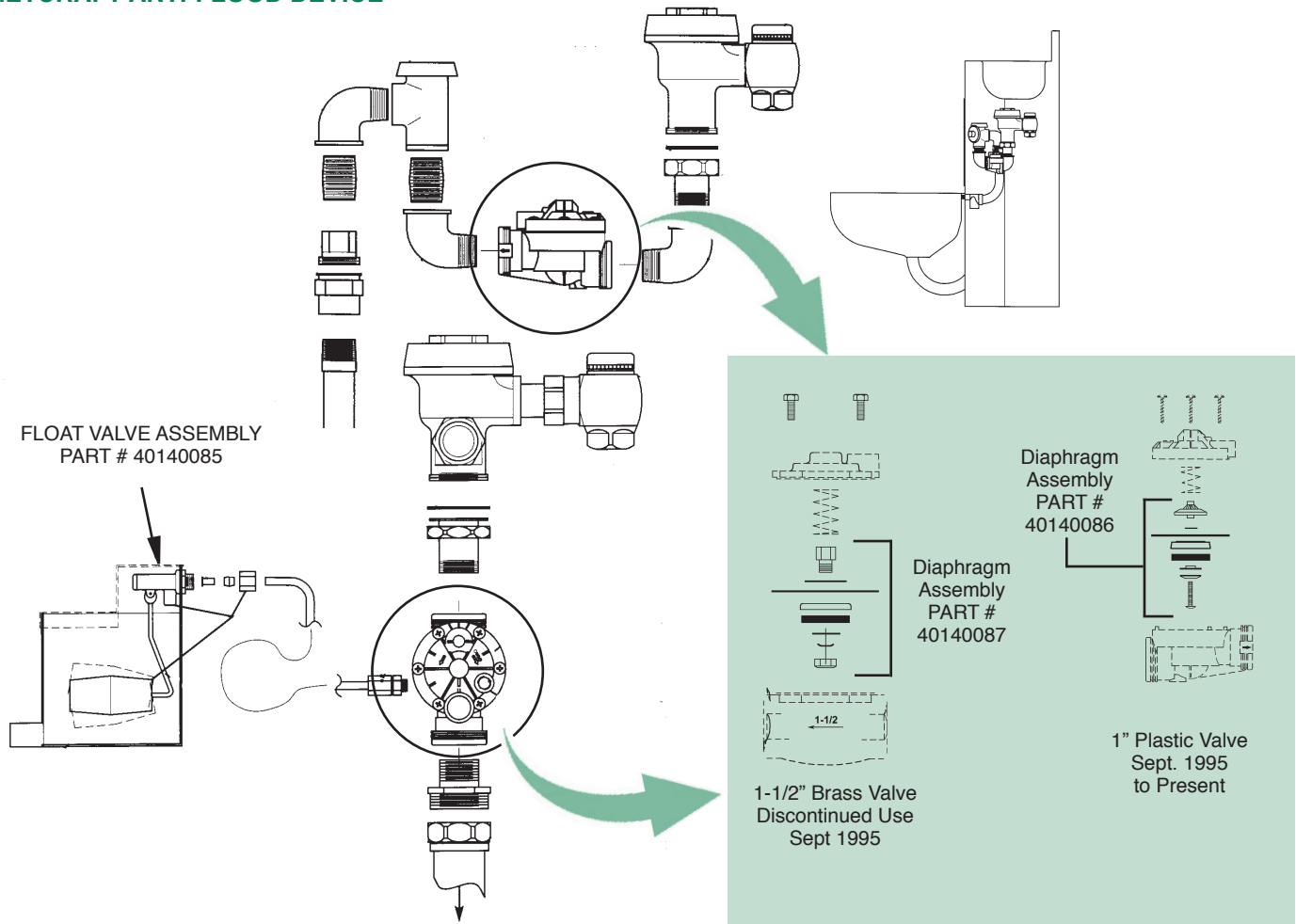


PLUG
PART # 40140609

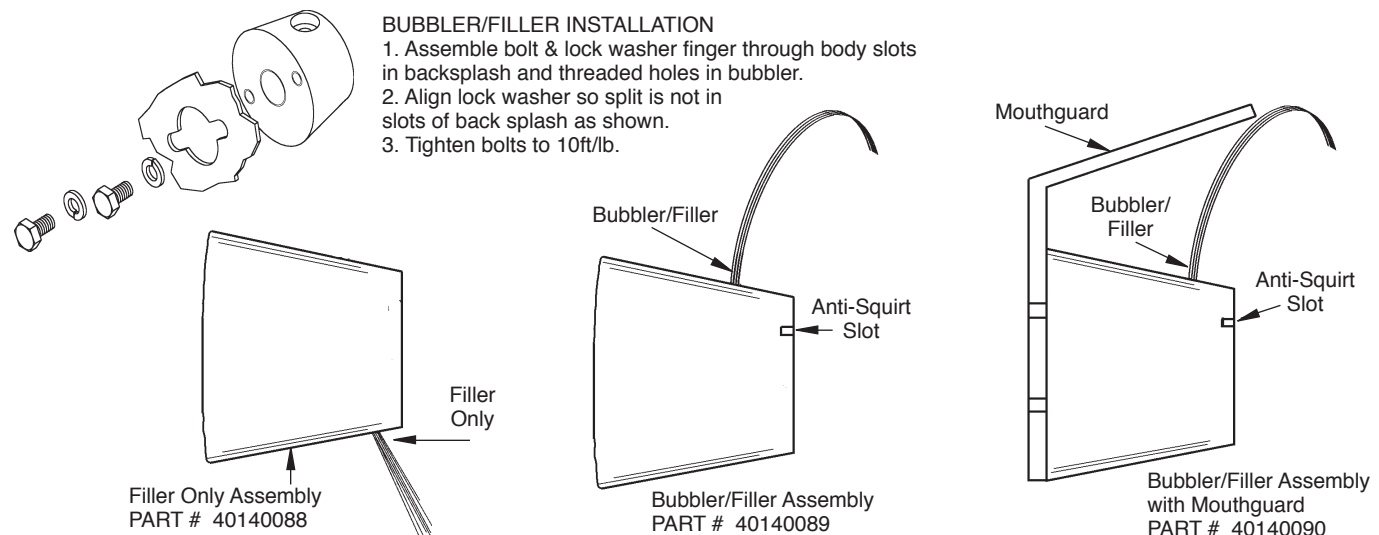


MANIFOLD INLINE CONNECTOR
PART # 40140611

METCRAFT ANTI-FLOOD DEVICE



METCRAFT BUBBLER/FILLER ASSEMBLIES

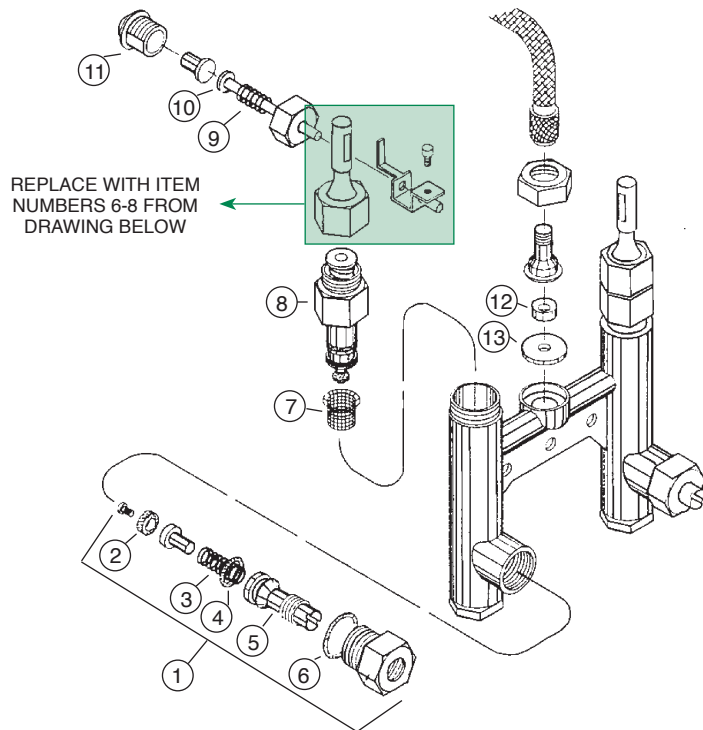
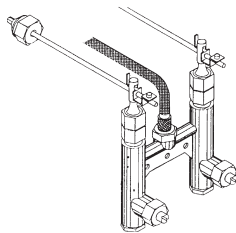




TOTAL MAINTENANCE SOLUTIONS

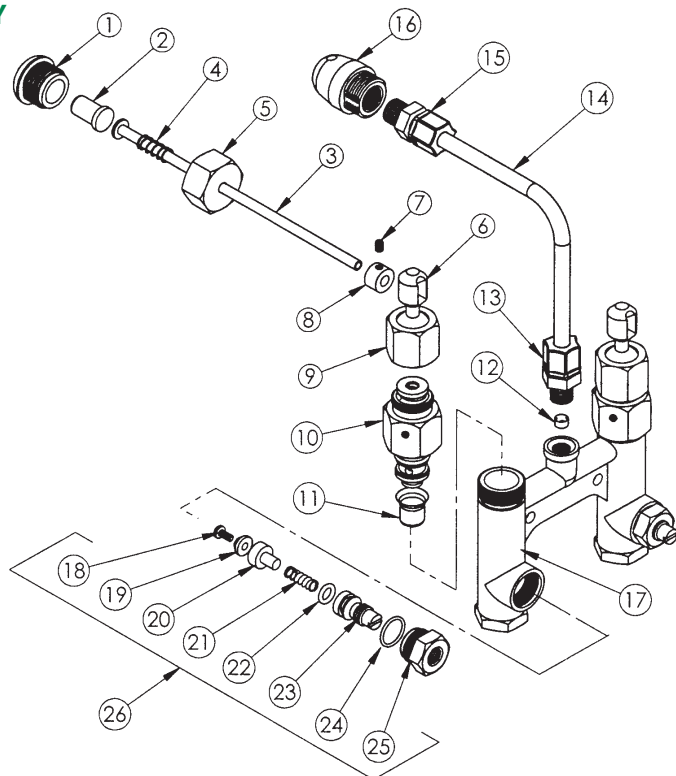
**WILLOUGHBY DUAL TEMP.
METERING VALVE (AFTER 1990)**

ITEM	PART #	DESCRIPTION
1	41031079	Checkstop assembly
2	41031000	Checkstop plunger seal
3	41031001	Checkstop spring
4	41031002	Checkstop stem o-ring
5	41031003	Checkstop stem
6	41031004	Checkstop nut o-ring
7	41031005	Strainer insert
8	41031006	Metering cartridge
9	41031007	Pushbutton spring
10	41031008	Push rod 8" wall (15" long can be cut)
11	41031009	Pushbutton sleeve
12	41031010	Flow restrictor, 0.5 GPM
13	41031011	Flow control washer



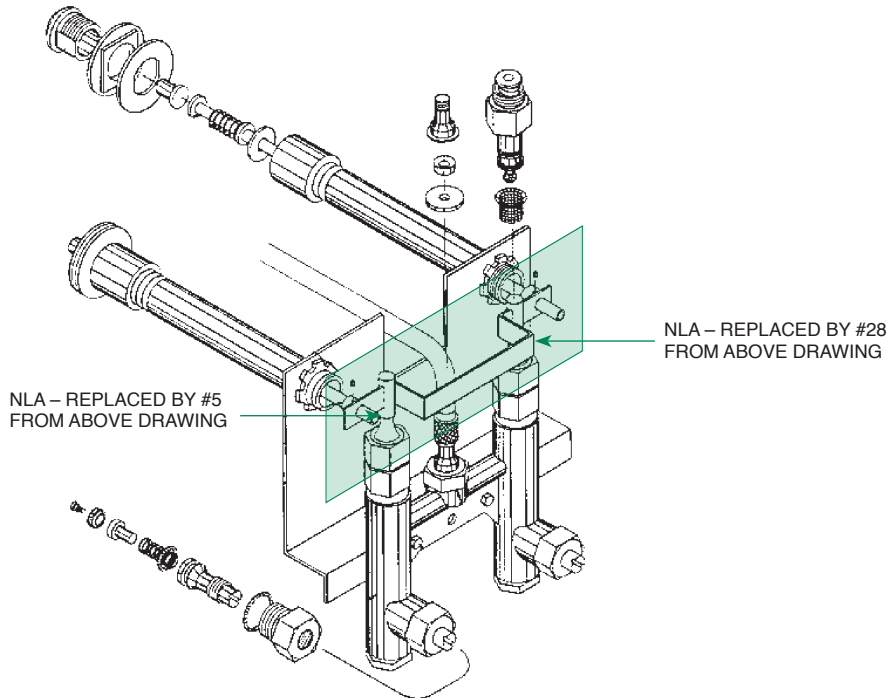
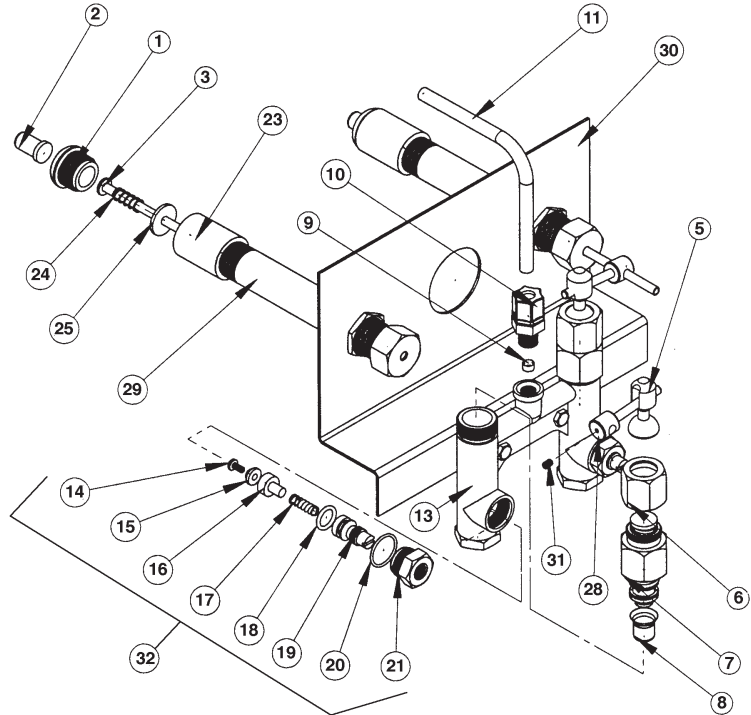
**ME2 MECHANICAL METERING DUAL TEMP LAVATORY
VALVE ASSEMBLY MODEL #WM2B
(AFTER MARCH 2000)**

ITEM	PART #	DESCRIPTION
1	41031009	Pushbutton sleeve
2	41031012	Pushbutton
3		Push rod (Length = Wall + 6")
4	41031007	Spring for push rod
5		Pushbutton nut
6		Toggle lever, brass
7		Set screw #10-32 x 1/4" sckt
8		Collar 1/4" brass shaft
9		Toggle nut
10	41031006	Metering cartridge
11	41031005	Strainer insert
12	41031013	Flow control 0.5 gpm (red)
13	40901170	Connector 3/8" x 1/4" MPT
14	40621198	Flexible tubing 3/8" OD
15	40900051	Connector 3/8" tube x 3/8" MPT
16		Bubbler
17		Valve body H-casting
18	50100020	Screw #8-32 x 3/8"
19	41031000	Faucet washer (NSF)
20	41031015	Checkstop plunger
21	41031001	Spring for checkstop
22	41031018	O-ring (#111)
23		Checkstop stem
24	41031004	O-ring (#019)
25		Checkstop nut
26	41031079	Stop assembly



SC2 MODIFIED FOR CHINA LAVATORY INSTALLATION

ITEM	PART #	DESCRIPTION
1	41031009	Pushbutton sleeve
2	41031012	Pushbutton
3	41031008	Push rod (Length = Wall + 6")
5	41031080	Toggle lever, brass
6	40120605	Toggle nut
7	41031020	Cartridge, self-closing
8	41031005	Strainer insert
9	41031013	Flow control 0.5 gpm (red)
10	40901170	Connector 3/8" tube x 1/4" MPT
11	40621198	Flexible tubing 3/8" OD
13		Valve body H-casting
14	40111001	Screw
15	41031000	Faucet washer (NSF)
16	41031015	Checkstop plunger
17	41031001	Spring for checkstop
18	41031018	O-ring (#111)
19	41031003	Checkstop stem
20	41031004	O-ring (#019)
21		Checkstop nut
23		Coupling 3/4" NPT, Galv.
24	41031007	Spring for push rod
25	41031100	Washer .930 OD x .250 ID x .093
28	41031083	Toggle adaptor
29		Nipple 3/4" x wall thickness + 1"
30		Bracket - 6-1/2" centers
31	41031084	Set screw
32	41031079	Checkstop assembly





TOTAL MAINTENANCE SOLUTIONS

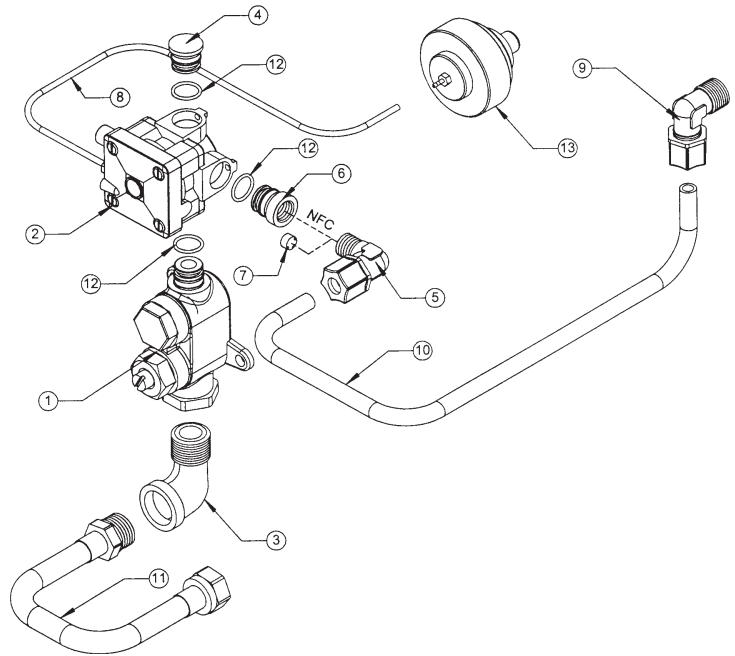
TOTAL MAINTENANCE SOLUTIONS

WILLOUGHBY

FITTINGS AND VALVES

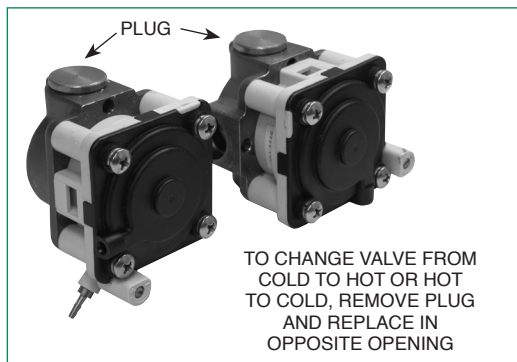
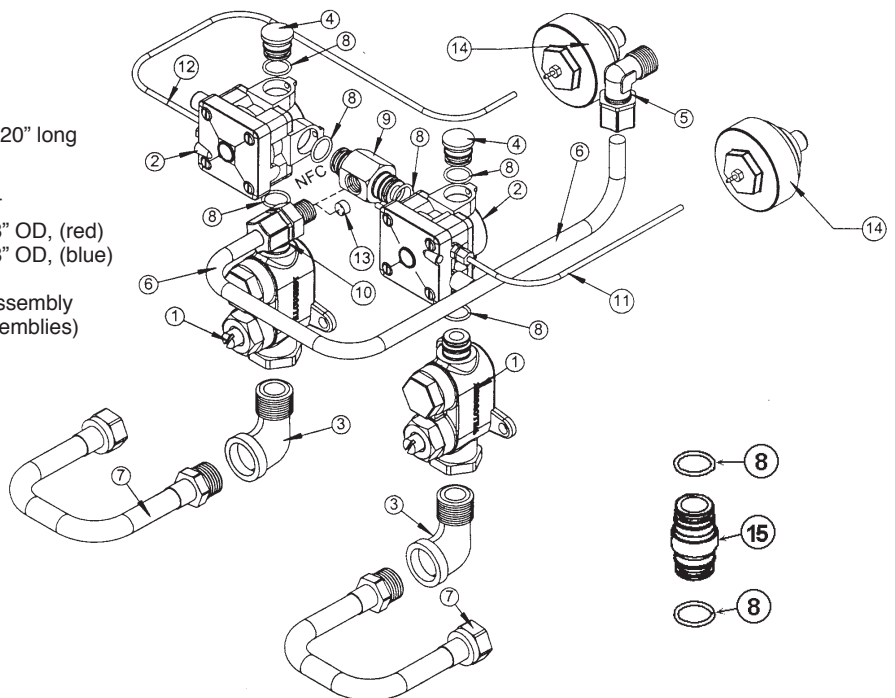
SINGLE TEMPERATURE PNEUMATIC METERING VALVE ASSEMBLY WITH FLEXIBLE SUPPLY

ITEM	PART #	DESCRIPTION
1	41031023	Checkstop strainer assembly
2	41031024	Pneumatic valve assembly
3		Elbow, 1/2" NPT street
4		Plug fitting
5	40900094	3/8" tube x 1/4" MPT Elbow
6	41031025	Single temp outlet adapter
7	41031013	Flow control 0.5 gpm (red)
8	40800587	Pneumatic tubing 1/16" ID x 1/8" OD (red)
9	40900095	Elbow, 3/8" tube x 3/8" MPT
10	40621198	Flexible tubing 3/8" OD
11		Flex hose, 1/2" MPT x 1/2" FPT 20" long
12	41031026	O-ring slipjoint
13	40111011	Pushbutton pump assembly s/s includes pushbutton and sleeve
14	41031027	Coupler fitting (for manifold assemblies)

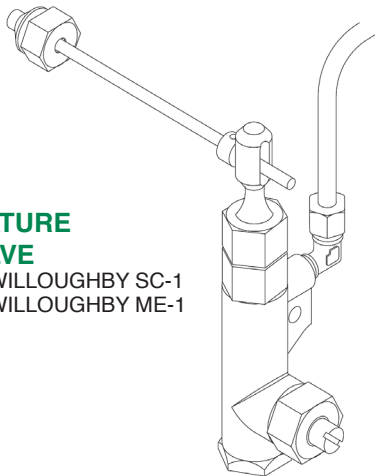


DUAL TEMPERATURE PNEUMATIC METERING VALVE ASSEMBLY WITH FLEXIBLE SUPPLIES

ITEM	PART #	DESCRIPTION
1	41031023	Checkstop strainer assembly
2	41031024	Pneumatic valve assembly
3		Elbow, 1/2" NPT street
4		Plug fitting
5	40901148	Elbow, 3/8" tube x 3/8" MPT
6	40621198	Flexible tubing 3/8" OD
7		Flex hose 1/2" MPT x 1/2" FPT 20" long
8	41031026	O-ring, slipjoint (#014)
9	41031028	Tee, WPPM-F mixing
10	40901170	Connector 3/8" tube x 1/4" MPT
11	40800587	Pneumatic tubing 1/16" ID x 1/8" OD, (red)
12	40800564	Pneumatic tubing 1/16" ID x 1/8" OD, (blue)
13	41031013	Flow control 0.5 gpm (red)
14	40111011	Pushbutton diaphragm pump assembly
15	41031027	Coupler fitting (for manifold assemblies)

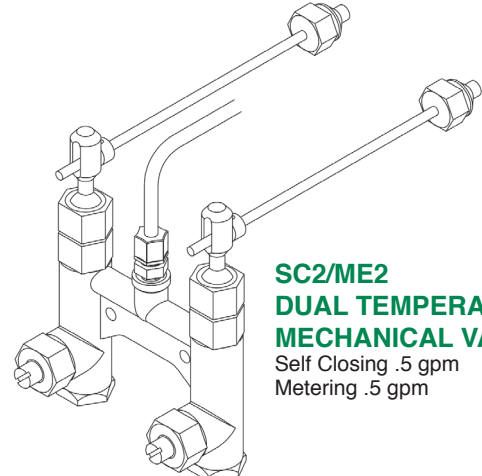


Toll Free Telephone: 877/867-8675 • Toll Free Fax: 877/867-8674
www.tms4parts.com



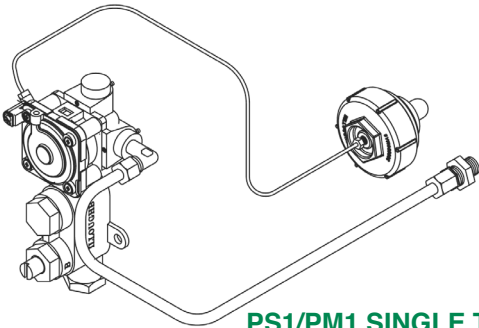
**SC1/ME1
SINGLE TEMPERATURE
MECHANICAL VALVE**

Self Closing .5 gpm WILLOUGHBY SC-1
Metering .5 gpm WILLOUGHBY ME-1



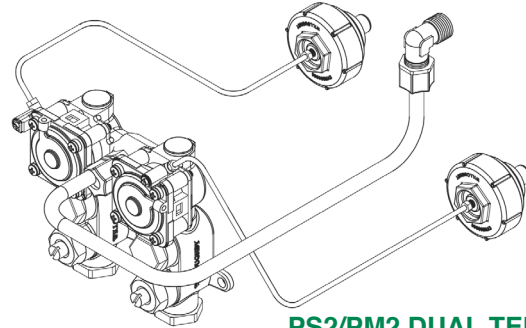
**SC2/ME2
DUAL TEMPERATURE
MECHANICAL VALVE**

Self Closing .5 gpm WILLOUGHBY SC-2
Metering .5 gpm WILLOUGHBY ME-2



**PS1/PM1 SINGLE TEMPERATURE
PNEUMATIC VALVE**

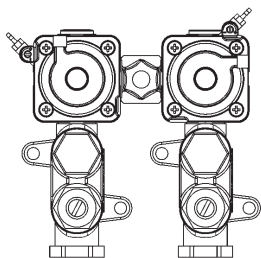
Self Closing .5 gpm WILLOUGHBY PS-1
Metering .5 gpm WILLOUGHBY PM-1



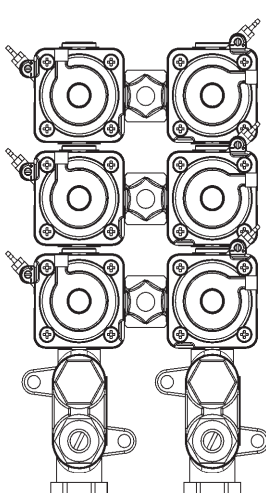
**PS2/PM2 DUAL TEMPERATURE
PNEUMATIC VALVE**

Self Closing .5 gpm WILLOUGHBY PS-2
Metering .5 gpm WILLOUGHBY PM-2

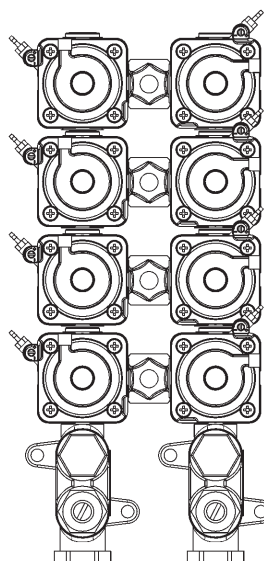
SINGLE MANIFOLD



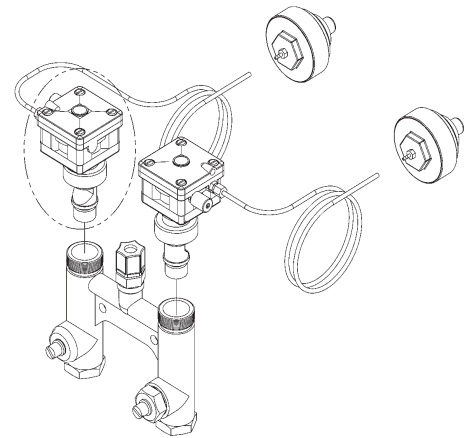
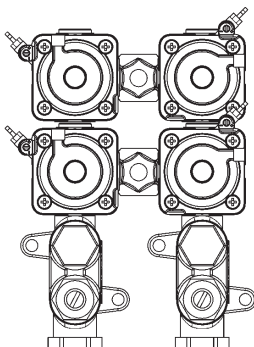
TRI MANIFOLD



QUAD MANIFOLD



DUAL MANIFOLD



WRMV RETROFIT VALVE ASSEMBLY

Single Temp Metering Valve WILLOUGHBY WRMV-1
Single Temp Self-Closing Vlv WILLOUGHBY WRSCV-1
Dual Temp Metering Valve WILLOUGHBY WRMV-2
Dual Temp Self-Closing Vlv WILLOUGHBY WRSCV-2



TOTAL MAINTENANCE SOLUTIONS

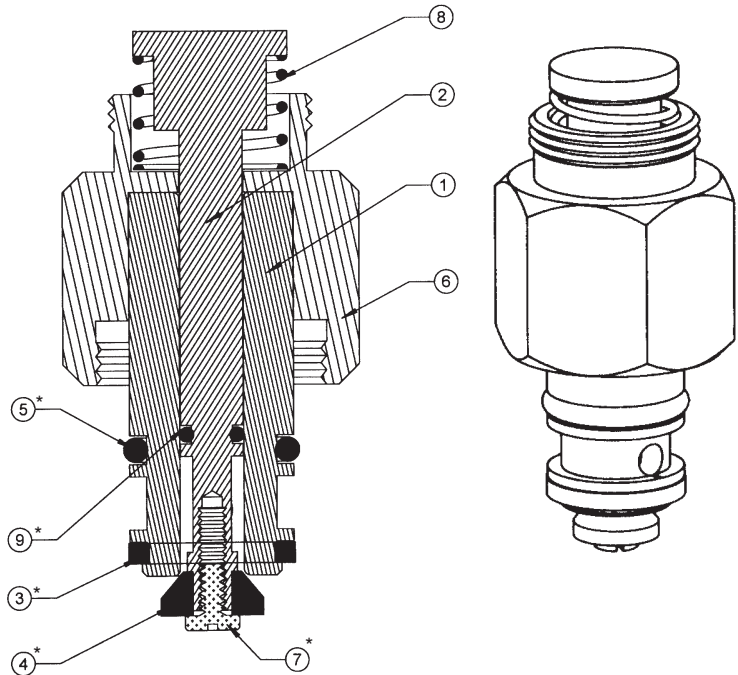
TOTAL MAINTENANCE SOLUTIONS

WILLOUGHBY

FITTINGS AND VALVES

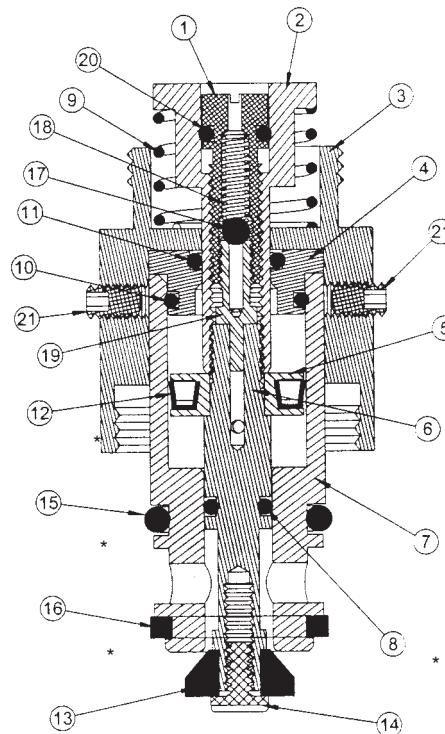
WILLOUGHBY SELF-CLOSING CARTRIDGE

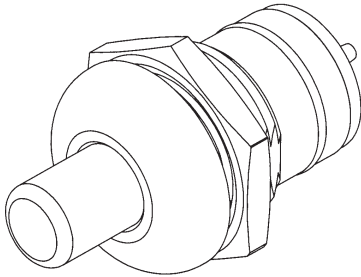
ITEM	PART #	DESCRIPTION
1		Insert body, self closing
2		Bleeder stem
3	41031029	O-ring
4	40110128	Faucet washer
5	41031031	O-ring
6		Intermediate nut
7	41031032	Faucet washer screw
8		Cartridge return spring
9	41031034	Stem O-Ring
	41031020	Complete cartridge
*	41031033	Cartridge reseal kit (includes 1 each items 3, 4, 5, 7 & 9)



METERING CARTRIDGE

ITEM	PART #	DESCRIPTION
1		Screw, bleeder adjust
2		Bleeder stem
3		Intermediate nut
4		Insert cap
5		U-cup holder
6		Faucet washer stem – metering
7		Insert body – Delrin
8		O-ring
9		Cartridge return spring
10		O-ring, slipjoint
11		O-ring (#011) .301 ID x .070 w/ self lube
12		U-cup seal .625 OD x .375 ID
13	40110128	Faucet washer (NSF)
14		Screw
15	41031034	O-ring 15mm ID x 3mm W
16	41031029	O-ring, Tetraseal #77264-R .612 ID x .070 W
17		Check ball, .125" Dia.
18		Spring for checkball
19		Seat check valve
20		O-ring (#008) .176 x .070 W
21		Set screw
	41031006	Complete metering cartridge
*	41031035	Cartridge reseal kit (includes 1 each items 13, 14, 15 & 16)





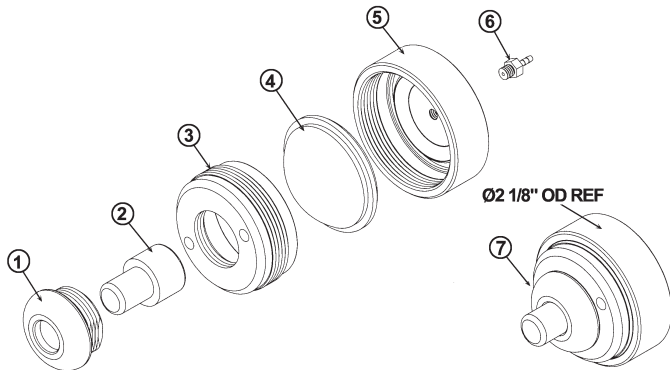
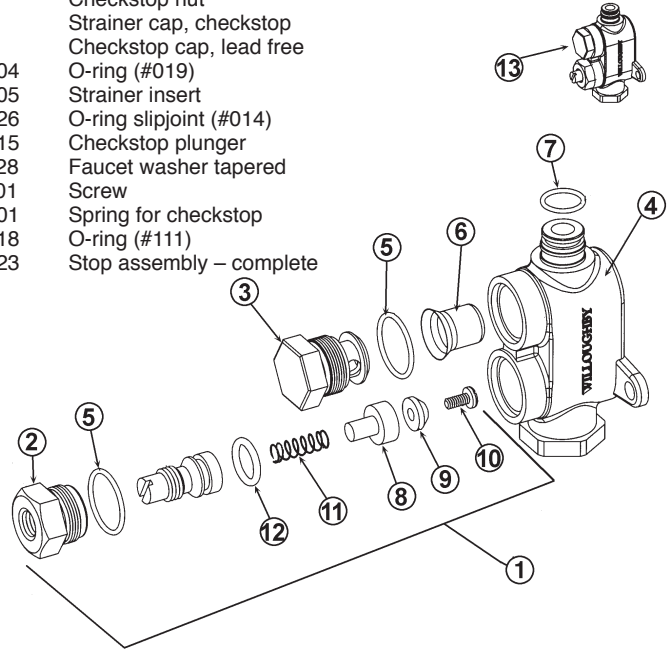
PUSHBUTTON PUMP

For Cabinet Shower Replacement Only
Not Field Serviceable

PART # 40110102

CHECKSTOP/STRAINER ASSEMBLY

ITEM	PART #	DESCRIPTION
1	41031079	Checkstop stem assembly
2		Checkstop nut
3		Strainer cap, checkstop
4		Checkstop cap, lead free
5	41031004	O-ring (#019)
6	41031005	Strainer insert
7	41031026	O-ring slipjoint (#014)
8	41031015	Checkstop plunger
9	40110128	Faucet washer tapered
10	40111001	Screw
11	41031001	Spring for checkstop
12	41031018	O-ring (#111)
13	41031023	Stop assembly – complete

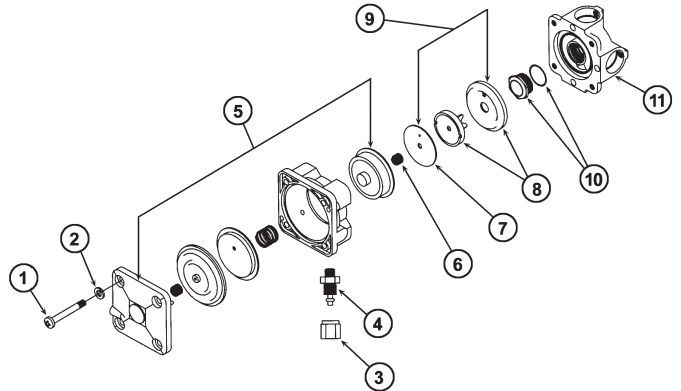


DIAPHRAGM PUSHBUTTON PUMP (STANDARD)

ITEM	PART #	DESCRIPTION
1		Sleeve, diaphragm pump
2		Pushbutton, diaphragm pump
3		Cap, diaphragm pump
4	41011109	Diaphragm for pneumatic pump, neoprene
5		Body, diaphragm pump
6		Willoughby diaphragm
7	40110101	Fitting hosebarb
		Pushbutton pump assembly

PM SERIES PNEUMATIC VALVE REPAIR KITS

ITEM	PART #	DESCRIPTION
1		Screw
2		Lockwasher
3		Brass hosebarb nut
4		Brass hosebarb fitting
5	40110104	Motor assembly kit (includes items 3 & 4)
6	41011088	Orifice plate spring
7		Orifice plate assembly
8	41011089	Water diaphragm assembly
9	40120099	Diaphragm assembly kit (includes items 6, 7 & 8)
10	41031037	Valve base seat and o-ring
11		Brass valve base





TOTAL MAINTENANCE SOLUTIONS

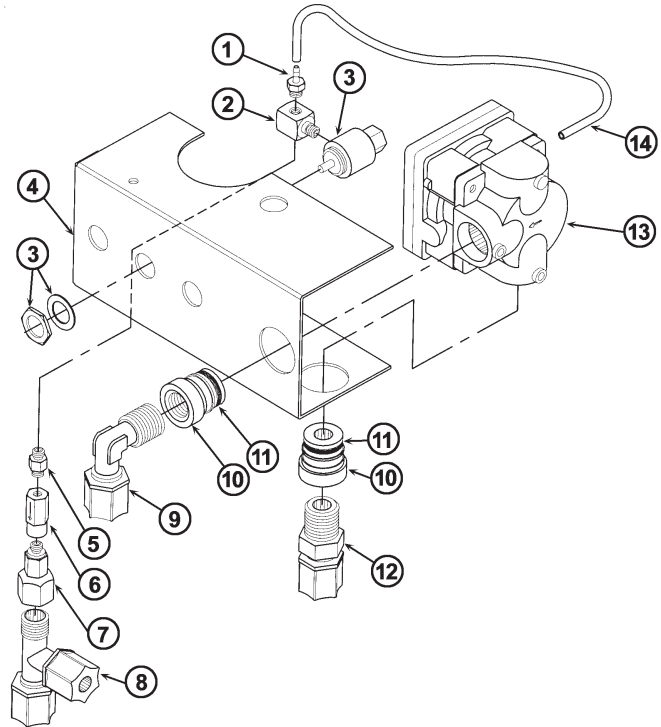
TOTAL MAINTENANCE SOLUTIONS

WILLOUGHBY

FITTINGS AND VALVES

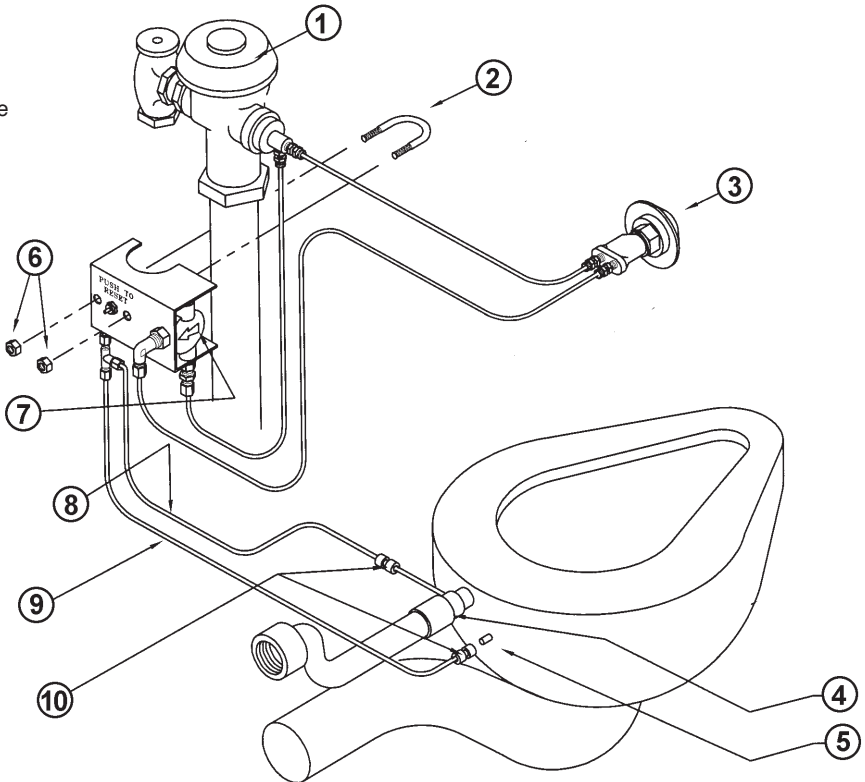
TOP-FOUR ASSEMBLY DETAIL

ITEM	PART #	DESCRIPTION
1		Hosebarb fitting
2		Tee fitting
3	41031038	Poppet Valve w/ locknut & washer
4		Top-four bracket
5		Short coupling
6		Check valve
7		Swivel connector
8		Male run tee
9	40901145	Elbow fitting
10	41031025	Single temperature outlet adapter
11	41031026	Pneumatic valve slipjoint o-ring
12	40901168	Straight connector 1/4" tube
13	41031039	Pneumatic valve motor for top-four
14	40800587	Red tubing



**MODEL T-4 (TOP-FOUR-B)
OVERFLOW PREVENTER DETAIL**

ITEM	PART #	DESCRIPTION
1	*	Sloan hydraulic flush valve
2		U-bolt
3	*	Flush valve pushbutton
4		Vacuum generator
5		Water level sensor
6		Hex nuts
7	41031040	Disabler valve kit
8		Natural tubing
9		Red tubing
10		Union connector

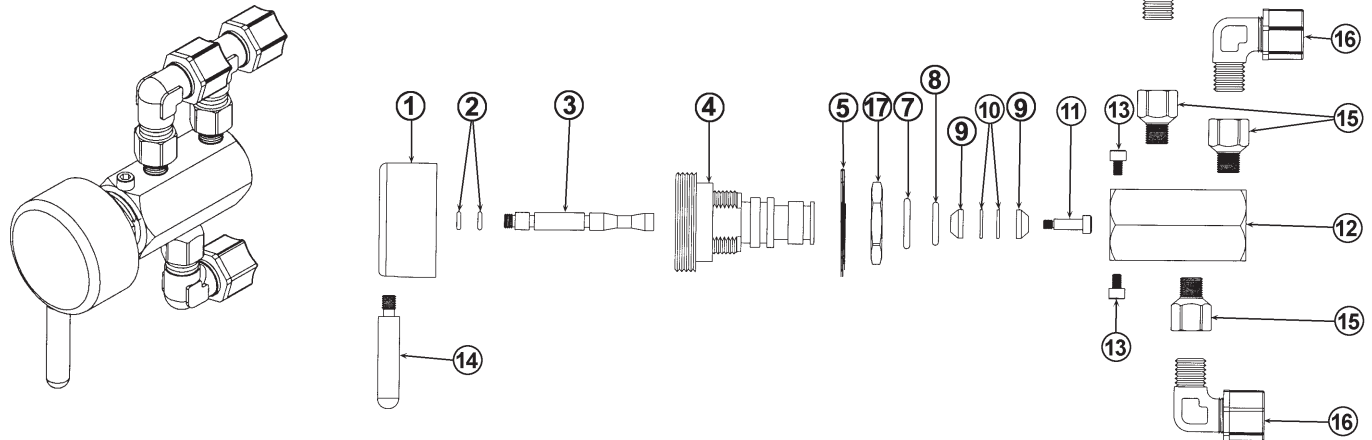


* See Flush Valve section beginning on page 43 for repairs

WILLOUGHBY SECURITY DIVERTER VALVE (920022)

ITEM	PART #	DESCRIPTION
1		Knob, diverter valve s/s
2	41031044	O-ring (#008)
3		Stem, mix/diverter valve s/s
4		Sleeve, WMDV mix/diverter valve, brass
5		Ring, spiral retaining s/s
7	40950028	O-ring
8	40950025	O-ring
9	40110128	Faucet washer tapered

ITEM	PART#	DESCRIPTION
10	41031101	Teflon washer
11	41031044	Screw, shoulder
12		Valve body
13		Cap screw
14		Handle, diverter valve
15		Adaptor
16		3/8" tube x 1/4" elbow
17		Locknut 3/4" NPT brass

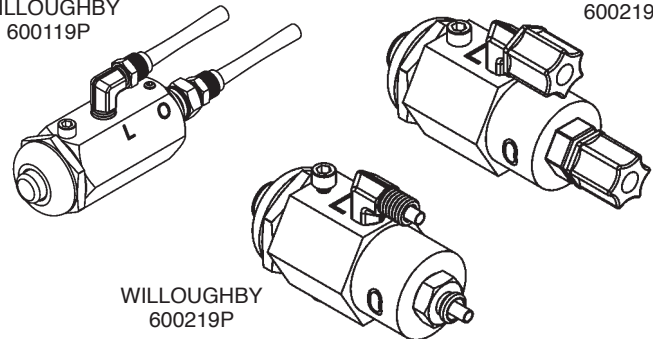


DISCONTINUED WILLOUGHBY ACTUATOR VALVES

PARTS NOT AVAILABLE FOR
600119P, 600219, 600219P
REPLACED BY 600317PM

WILLOUGHBY
600119P

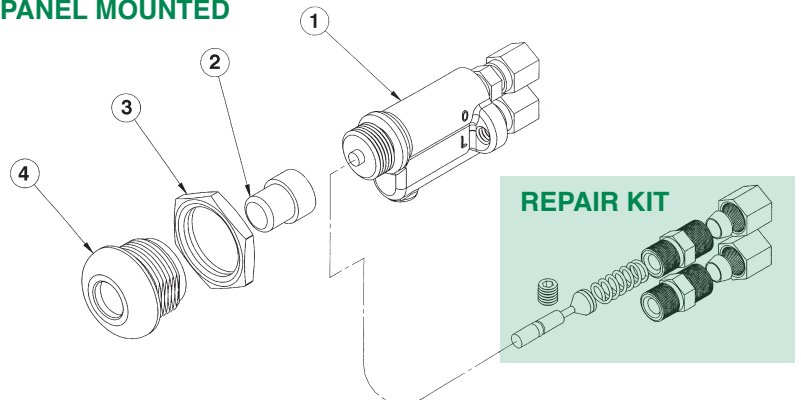
WILLOUGHBY
600219



WILLOUGHBY FLUSH ACTUATOR ASSEMBLY PANEL MOUNTED (600317PM)

ITEM	DESCRIPTION
1	Actuator Housing
2	Pushbutton
3	Hex Nut
4	Sleeve

REPAIR KIT PART # 41031086
COMPLETE ACTUATOR PART # 41031087



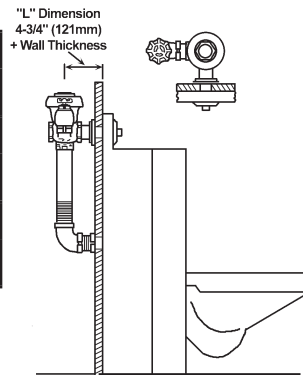


TOTAL MAINTENANCE SOLUTIONS

FOR COMBO UNITS

Sloan 601 Zurn Z6601AV	For Metcraft Series 100 (4-3/4" + wall thickness)
Sloan 603 Zurn Z6603AV	For Acorn, Bradley, Metcraft Series 3000 & Willoughby
Sloan 681 Zurn Z6681AV	For Old Style Duraware (6-3/4" + wall thickness)

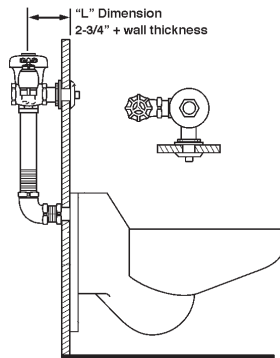
Specify 3.5 or 1.6 gpf



FOR WALL-HUNG BACK SPUD TOILETS

Sloan 611 Zurn Z6611AV	(2-3/4" + wall thickness)
---------------------------	---------------------------

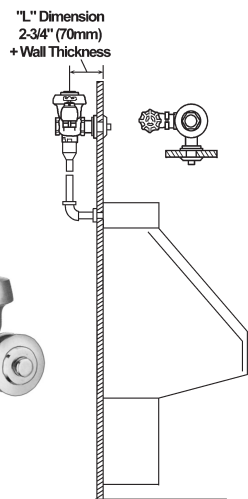
Specify 3.5 or 1.6 gpf



FOR WALL-HUNG BACK SPUD URINALS

Sloan 613 Zurn Z613AV	(2-3/4" + wall thickness) – 3/4" back inlet
Sloan 609 Zurn Z6609AV	(2-3/4" + wall thickness) – 3/4" back inlet

Specify 3.5 or 1.5 or 1.0 gpf



TOTAL MAINTENANCE SOLUTIONS

CONCEALED

PENAL VALVES

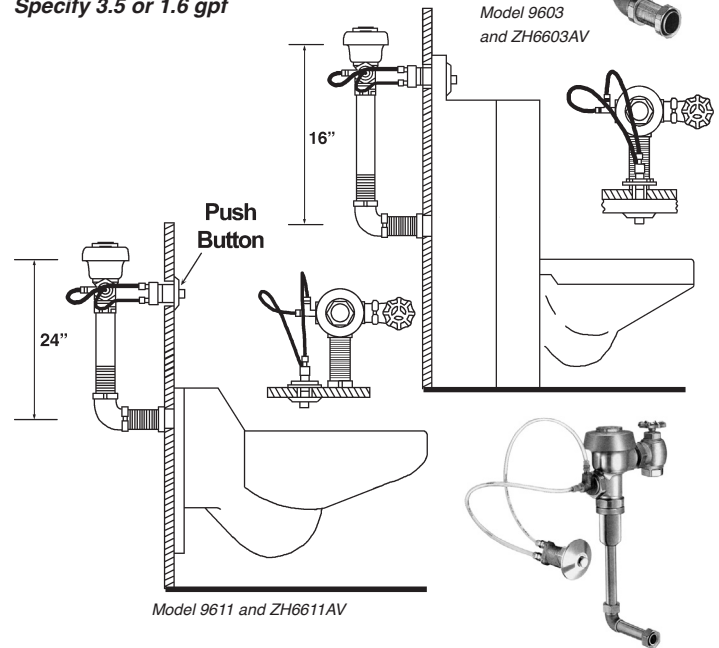
HYDRAULIC PENAL VALVES

Sloan 9603 Zurn ZH6603AV	For back spud toilets and combo units 16" center of supply to waste outlet
Sloan 9611 Zurn ZH6611AV	For back spud toilets 24" center of supply to waste outlet

Specify 3.5 or 1.6 gpf

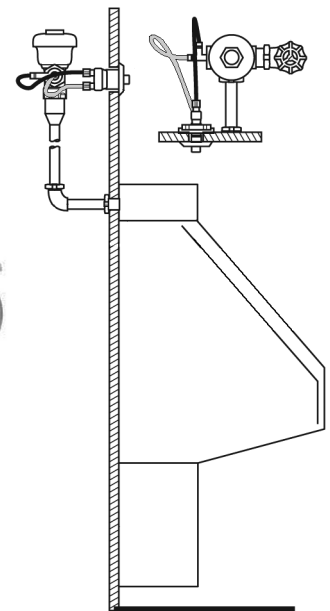


Model 9603 and ZH6603AV



Sloan 9613 Zurn ZH6613AV	For 3/4" back inlet urinals
Sloan 9609 Zurn ZH6609AV	For 1-1/2" back inlet urinals

Specify 3.5 or 1.5 or 1.0 gpf



All hydraulic penel valves supplied with Metal Button Fixture Wall (MBFW).

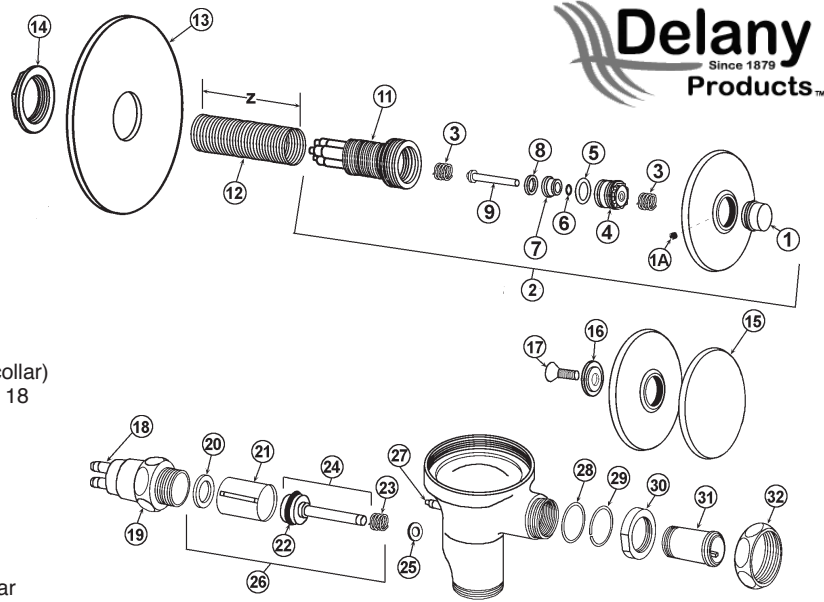
TOTAL MAINTENANCE SOLUTIONS
DELANY
 FLUSH VALVE REPLACEMENT PARTS



DELANY HYDRO-FLUSH RENEWAL PARTS

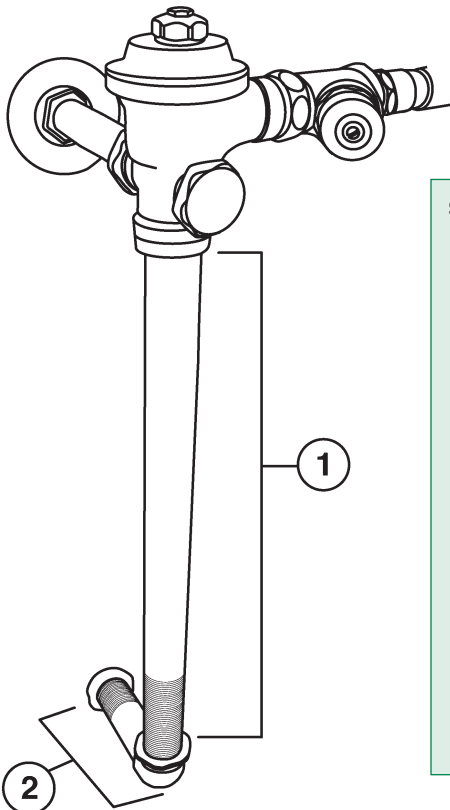
ITEM	PART #	DESCRIPTION
1	40221317	1/2" Push button
1A		Set screw
2	40221260	Actuator assembly (1/2" button)
3	40221269	Spring for push button
4	40221318	Spindle guide
5	40221271	O-ring for spindle guide
6	40221270	Spindle O-ring
7	40221272	O-ring holder
8	40221274	Spindle seat washer
9	40221319	Spindle
1-14	40221262	Internal actuator assembly
11	40221273	Actuator body
12	40221320	Wall sleeve (specify "z" length)
13	40221321	Bearing plate
14	40221322	Locknut
15	40221323	3" Oscillating disc
16	40221324	Retainer for disc
17	40221268	Holding screw for disc
18	40221325	Straight release fitting (w/ black collar)
19	40221326	Piston valve body w/ 2 each item 18
20	40221327	Piston bore washer
21	40221152	Piston sleeve
22	40221328	Cup washer
23	40221154	Spring for piston operating stem
24	40221180	Piston operating stem assembly
25	40221329	Handle pad washer
26	40221330	Piston valve assembly
27	40221276	Straight release fitting w/ red collar

ITEM	PART #	DESCRIPTION
28	40950069	O-ring
29	40221018	Clamping ring
30	40221019	Clamping nut
31	40221020	2" Union tailpiece
32	40221021	Union nut



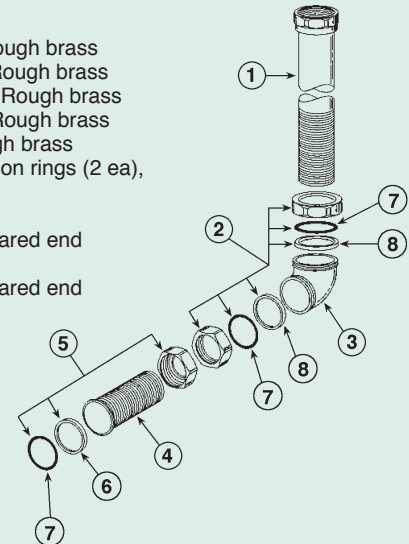
DELANY CONCEALED VACUUM BREAKER PARTS

ITEM	PART #	DESCRIPTION
1	40221351	1-1/2" x 15" Rough brass tailpiece – unscored
2	40221352	1-1/2" x 8" Rough brass elbow and wall extension – scored



SUBSTITUTION PRODUCTS from SLOAN

ITEM	PART #	DESCRIPTION
1	40261291	1-1/2" x 7-1/2" VB Assembly, Rough brass
	40261292	1-1/2" x 11-1/2" VB Assembly, Rough brass
	40261293	1-1/2" x 13-1/2" VB Assembly, Rough brass
	40261294	1-1/2" x 17-1/2" VB Assembly, Rough brass
	40261295	1-1/2" x 22" VB Assembly, Rough brass
2	40261008	1-1/2" RB couplings (2 ea), friction rings (2 ea), and rubber gaskets (2 ea)
3	40261299	1-1/2" Double male SJ elbow
4	40261296	1-1/2" x 3-1/4" w/ 3" score RB flared end flush connection
	40261297	1-1/2" x 9-1/2" w/ 9" score RB flared end flush connection
	40261298	1-1/2" x 15" w/ 13-1/2" score RB flared end flush connection
5	40261010	1-1/2" RB coupling and rubber gasket
6	40211324	Tailpiece washer
	40950135	Drip proof vinyl washer
7	40700430	Friction washer
8	40950008	SJ washer

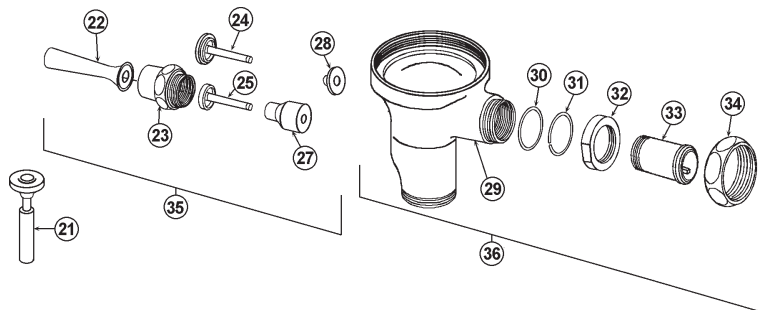




TOTAL MAINTENANCE SOLUTIONS

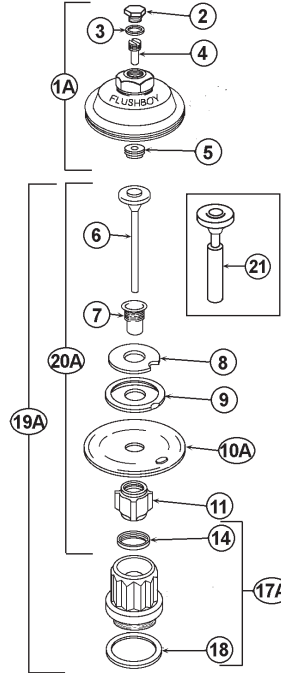
DELANY FLUSHBOY RENEWAL PARTS

ITEM	PART #	DESCRIPTION
1A	40221024	Cover assembly
1B	40221312	Cover assembly
1C	40221313	Cover assembly
1D	40221314	Cover assembly
2	40221000	Cover screw
3	40221001	Washer for cover screw (omitted in later production)
4	40221002	Regulating screw
5	40221004	Packing for cover
6	40221005	Auxiliary valve
7	40221006	Diaphragm bushing, plastic
7A	40221315	Diaphragm bushing, brass
8	40221007	Auxiliary valve seat
9	40221008	Auxiliary valve seat holder
10A	40221026	Diaphragm w/ auxiliary valve seat 4.5 gpf
	40221100	Diaphragm w/ auxiliary valve seat 4.5 gpf, non OEM
10B	40221065	Diaphragm w/ auxiliary valve seat 3.5 gpf
10C	40221066	Diaphragm w/ auxiliary valve seat 1.6 gpf
10D	40221027	Diaphragm w/ auxiliary valve seat 1.0 gpf
	40221087	Diaphragm w/ auxiliary valve seat 1.0 gpf, non OEM
11	40221009	Seat guide
12	40221067	Refill ring, 3.5/1.6
13	40221028	Seat guide
14	40221010	Choke ring 4.5 gpf valves
15	40221068	Seat guide, 3.5/1.6
16	40221069	Choke ring for main valve seat
17A	40221025	Main valve seat
17B	40221070	Main valve seat
17C	40221071	Main valve seat
18	40221011	Main valve seat washer
19A	40221072	Diaphragm operating assy 4.5 gpf
19B	40221073	Diaphragm operating assy 3.5 gpf
19C	40221182	Diaphragm operating assy 1.6 gpf
	40221074	Diaphragm operating assy 1.6 gpf, non OEM
19D	40221075	Diaphragm operating assy 1.0 gpf
	40221316	Diaphragm operating assy 1.0 gpf, non OEM
20A	40221076	Diaphragm operating assembly (less seat) 4.5 gpf
20B	40221077	Diaphragm operating assembly (less seat) 3.5 gpf
20C	40221078	Diaphragm operating assembly (less seat) 1.6 gpf
20D	40221079	Diaphragm operating assembly (less seat) 1.0 gpf
21	40221080	Auxiliary valve (for non hold open)
22	40221012	Handle
23	40221013	Handle nut
24	40221102	Operating stem (for non hold open, use w/ item 21)
25	40221014	Operating stem (overall length 1-7/8")
27	40221089	Flexer
28		Brass insert converter
29		KwikFit valve body
30	40950069	O-ring
31	40221018	Clamping ring
32	40221019	Clamping nut
33	40221020	KwikFit union tailpiece
34	40221021	Union nut
35	40221022	Handle assembly
36		KwikFit valve body assembly

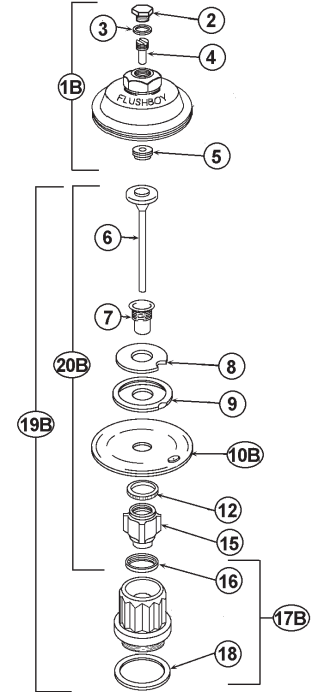


TOTAL MAINTENANCE SOLUTIONS
DELANY
FLUSH VALVE REPLACEMENT PARTS

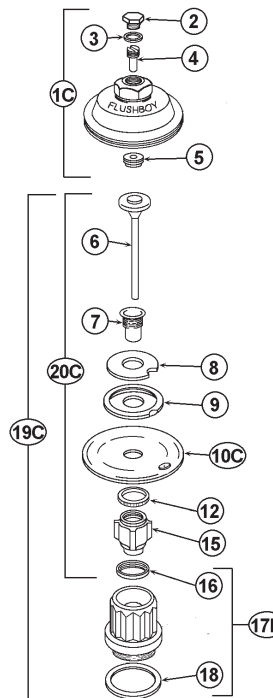
With "Turn-to-silence/ 4.5 gpf"
on cover
Valves with 1" supply



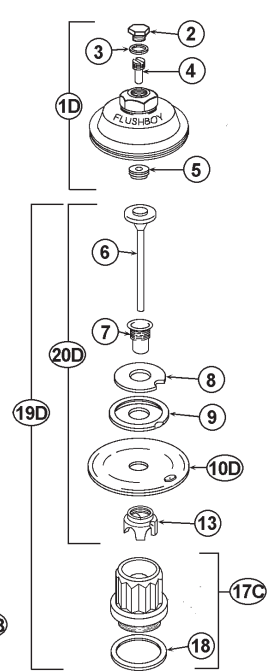
With "Water Saver/ 3.5 gpf"
on cover
Valves with 1" supply



With "1.6 gpf"
on cover
Valves with 1" supply

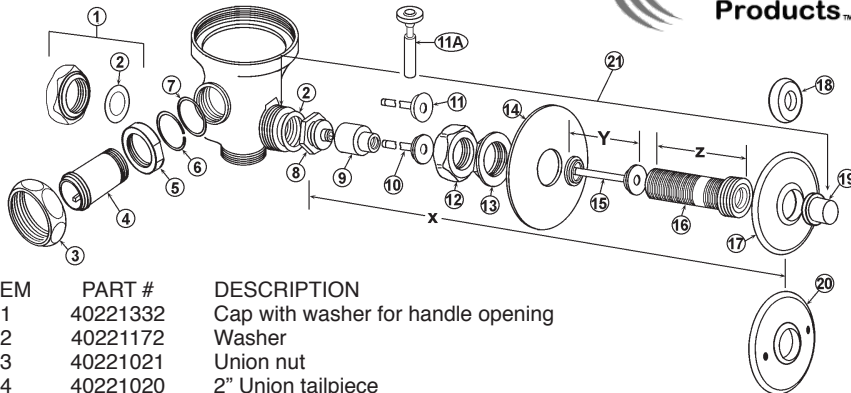


With "1.0 gpf"
on cover
Valves with 3/4" supply

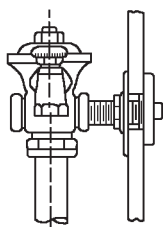


Toll Free Telephone: 877/867-8675 • Toll Free Fax: 877/867-8674
www.tms4parts.com

DELANY CONCEALED VALVE HANDLE PARTS



ITEM	PART #	DESCRIPTION
1	40221332	Cap with washer for handle opening
2	40221172	Washer
3	40221021	Union nut
4	40221020	2" Union tailpiece
5	40221019	Clamping nut
6	40221018	Clamping ring
7	40950069	O-ring
8	40221280	Wall sleeve bushing
9	40221089	Flexer
10	40221101	Operating stem 3-1/32" long
11	40221086	Operating stem 2-29/32" long
11A	40221080	Auxiliary valve – non hold open (use with item 11)
12	40221281	Coupling nut
13	40221282	Locknut
14	40221267	Bearing plate
15		Wall sleeve spacer (specify "Y" in inches)
16		Wall sleeve (specify "z" in inches)
17		Wall sleeve (for use w/ 1/2" push button – specify "z")
17		Wall flange (for use w/ disc handle or foot pedal)
17	40221283	Wall flange (for use with 1/2" button only)
18		Sink flange (for use w/ 1/2" button only)
19	40221284	1/2" push button use w/ concealed valves only
20		Wall flange (use w/ access panel)
21		Handle assembly – specify 1/2" push button, 3" oscillating disc, pedal assembly or regular handle assembly
		Specify CTFP*



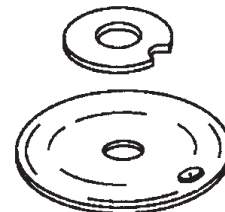
*Standard CTFP (centerline of valve to finished face of wall) is 2-3/4" plus actual wall thickness rounded to next higher even inch. Special CTFP measurements available in 1/2" increments.

Example: 4" block wall + 2-3/4" = 6-3/4" CTFP



TOTAL MAINTENANCE SOLUTIONS

DELANY FLUSHBOY RENEWAL PARTS KITS



OEM KITS

40221107	4.5 gpf closet leather kit
40221026	4.5 gpf closet neoprene kit
40221065	3.5 gpf closet neoprene kit
40221066	1.6 gpf neoprene kit
40221173	1.5 & 1.0 gpf urinal leather kit
40221027	1.0 gpf urinal neoprene kit

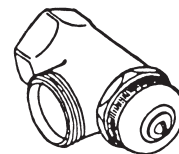
REPLACEMENT KITS FOR DELANY

40221100	Vinyl 4.5 gpf closet repair kit
40221087	Vinyl 1.0 gpf urinal repair kit

DELANY COMPLETE CONTROL STOPS



SCREWDRIVER OPERATED

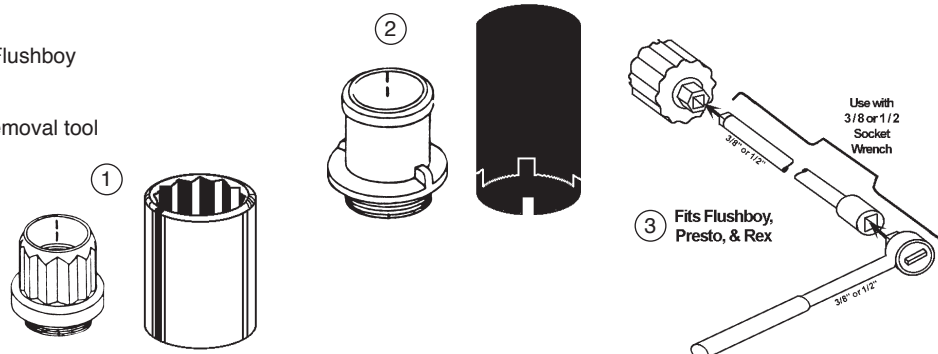


WHEEL HANDLE OPERATED

PART #	DESCRIPTION
40221093	3/4" Angle stop
40221094	1" angle stop
40221356	1" Wheel handle angle stop

DELANY FLUSH VALVE TOOLS

ITEM	PART #	DESCRIPTION
1	20200153	Delany seat removal tool for Flushboy
2	40221331	Delany seat removal tool for Flushboy & Presto valves
3	20200165	Easy Out Delany main seat removal tool





TOTAL MAINTENANCE SOLUTIONS

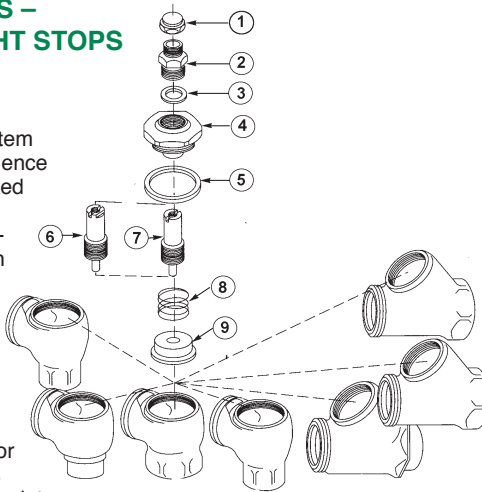
TOTAL MAINTENANCE SOLUTIONS

DELANY

FLUSH VALVE REPLACEMENT PARTS

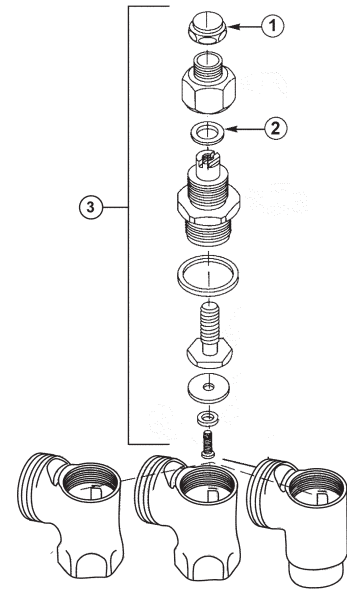
DELANY CONTROL STOP PARTS – TURN-TO-SILENCE OR STRAIGHT STOPS

ITEM	PART#	DESCRIPTION
1	40221043	Protecting cap
2	40221051	Packing nut
3	40221044	Packing for shut off stem
4	40221045	Bonnet for Turn-to-Silence
5	40221046	Bonnet washer (omitted in later production)
6	40221061	Shut off stem Turn-to-Silence (supplied with wheel handle operating mechanism)
7	40221047	Shut off stem Turn-to Silence
8	40221048	Back check spring (added in later production)
9	40221049	Disc w/ metal insert for Turn-to-Silence stops
	40221095	Bonnet assembly complete



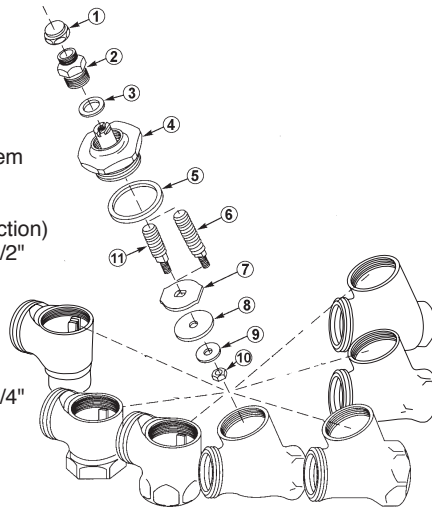
DELANY CONTROL STOP PARTS – 3/4" & 1/2" ANGLE STOPS

ITEM	PART#	DESCRIPTION
1	40221043	Protecting cap
2	40221044	Packing for shut off stem
3	40221058	Complete unit



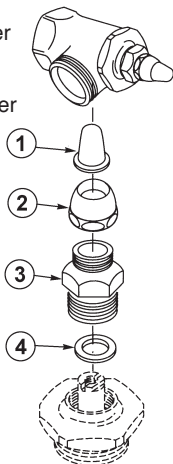
DELANY CONTROL STOP PARTS – ANGLE OR STRAIGHT STOPS

ITEM	PART#	DESCRIPTION
1	40221043	Protecting cap
2	40221051	Packing nut
3	40221044	Packing for shut off stem
4	40221285	Packing nut
5	40221046	Bonnet washer (omitted in later production)
6	40221052	Male shut off stem 1-1/2"
7	40221054	Guide
8	40221286	Seat washer
9	40221056	Washer for shut off stem nut
10	40221057	Nut for shut off stem
11	40221053	Male shut off stem 1-1/4"

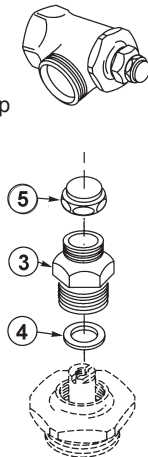


OPERATING MECHANISM VARIATIONS

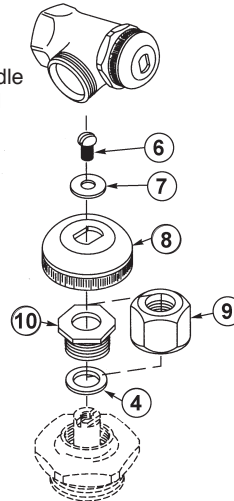
Screwdriver Operated with Seat Bumper



Screwdriver Operated with Protecting Cap

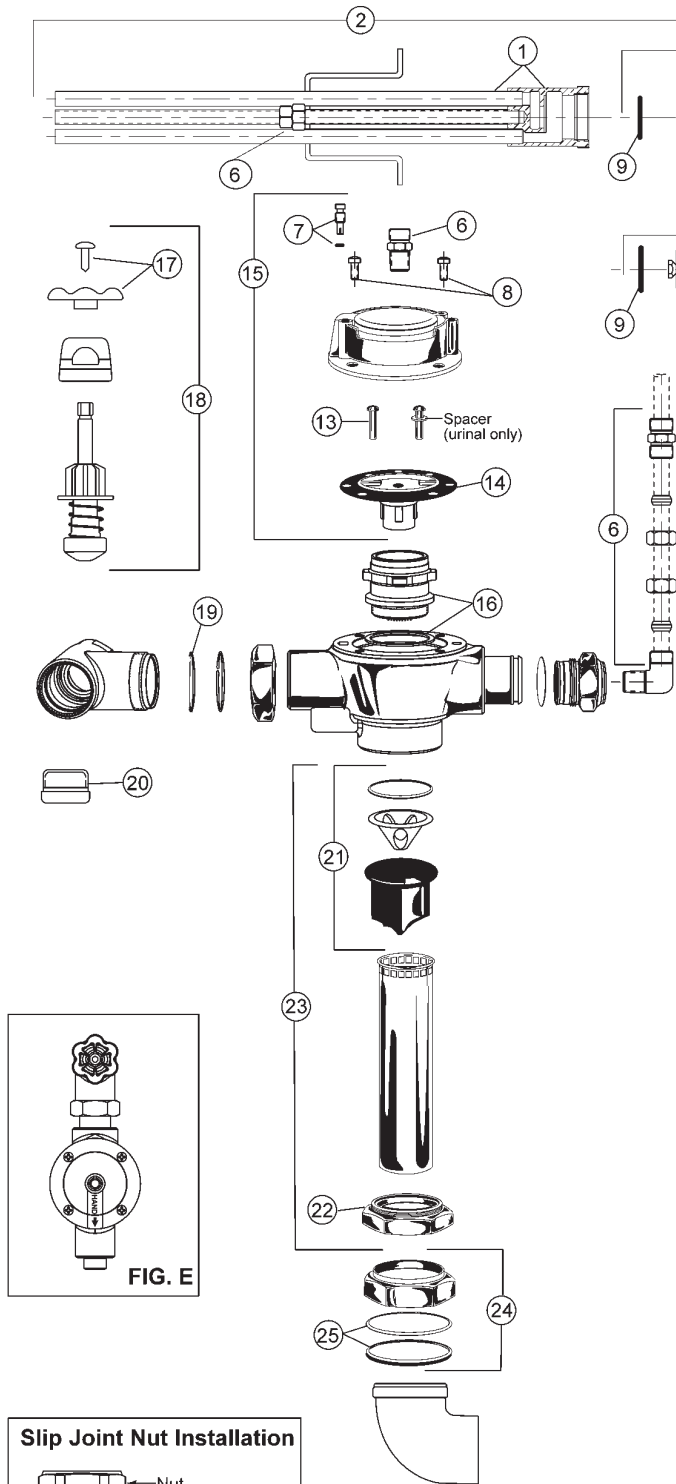


Wheel Handle Operated



ITEM	PART #	DESCRIPTION
1	40221287	Seat bumper
2	40221288	Bumper holder
3	40221051	Packing nut
4	40221044	Packing nut for shut off stem
5	40221043	Protecting cap
6	40221289	Screw for wheel handle
7	40221290	Washer for wheel handle
8	40221291	Wheel handle
9	NLA	Packing nut

Toll Free Telephone: 877/867-8675 • Toll Free Fax: 877/867-8674
www.tms4parts.com



TECK II CONCEALED FLUSHOMETER

ITEM	PART #	DESCRIPTION
		Universal TECK washers and o-rings repair kit
		Universal TECK parts washers and o-rings repair kit
		Handle control unit complete with 5/8" diameter push button and flange
1		Handle control unit complete less flange, handle and spring
2		1-3/8" push button, flange and pin assembly
3		Handle
4		Wall flange and pin
5		Adaptors, compression L nuts and sleeves, locknuts and flange screws package
6		Regulating screw and o-ring
7	40201022	Flange with screw
8		O-rings
9		Cage and o-ring assembly
10	40201023	Springs
11		5/8" push button cage assembly
12		Poppet pin and spacer package (note: spacer used for urinal application only)
13	40201024	Diaphragm/guide assembly complete
14	40201025	Diaphragms only
15		Non-hold open retrofit complete (includes cast cap, diaphragm/guide assembly and piston)
16		Renewable brass seat and fibre washer
17		Renewable seat wrench for both plastic and brass seats
18	40201026	Handle and screw
19		Retrofit check stem unit, capnut and handle complete
20		Seat washer, spring, cover and o-ring only
21	40201027	O-rings
22		1" copper sweat inlet adaptor
23		3/4" copper sweat inlet adaptor
24		3/4" FIP inlet adaptor
25		Vacuum breaker sleeve complete
		Coupling nut
		1-1/2" x 10" VB, coupling ring and tube complete
		1-1/4" x 10" VB, coupling ring and tube complete
		1-1/2" rough coupling nut and washers
		1-1/4" coupling nut and washer
		1-1/2" rubber and fibre slip joint washers
		3/4" rubber and fibre slip joint washers

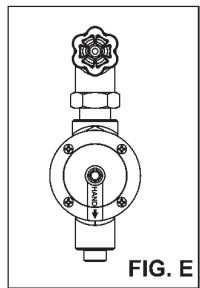


FIG. E

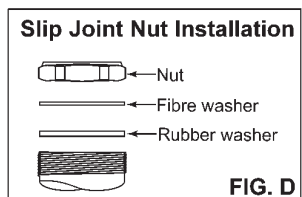


FIG. D



TOTAL MAINTENANCE SOLUTIONS

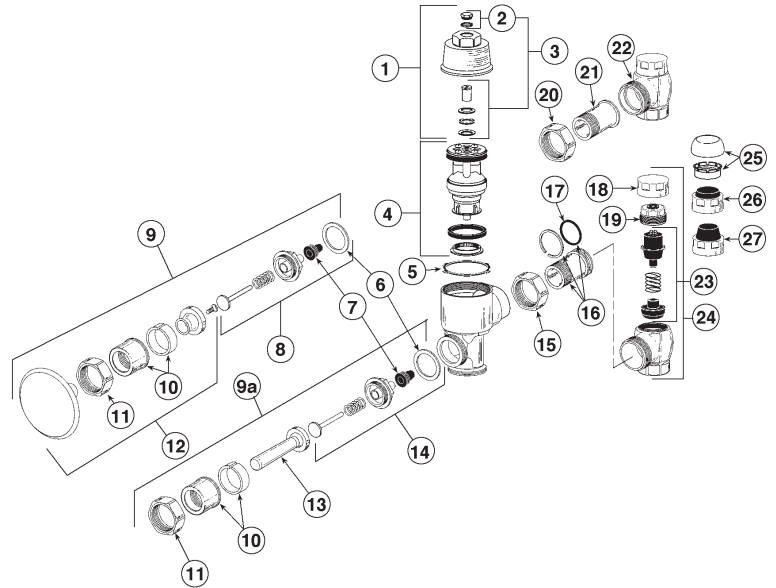
TOTAL MAINTENANCE SOLUTIONS

SLOAN VALVE

FLUSH VALVE REPLACEMENT PARTS

SLOAN CROWN PISTON FLUSHOMETER

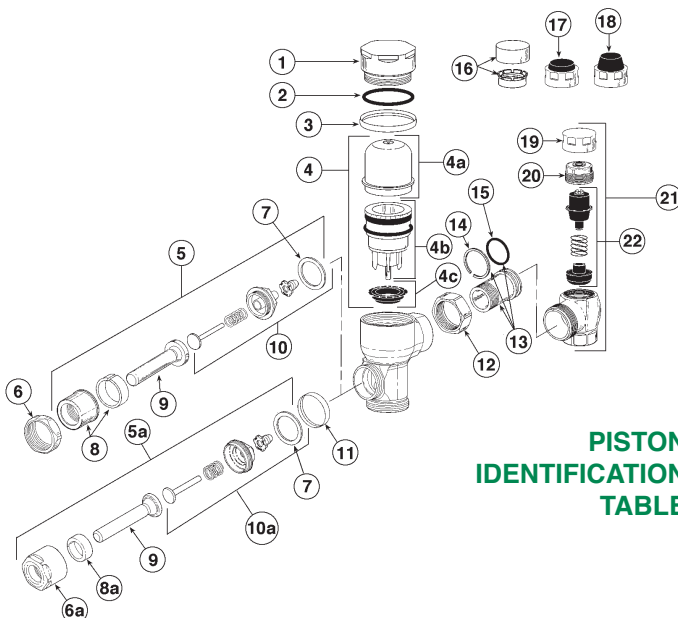
ITEM	PART #	DESCRIPTION
1		Cover assembly CP
2		Cap screw repair kit
3		Regulating screw repair kit
4	40260019	Piston with main seat – closet
	40261163	Piston with main seat – urinal
5		Cover gasket
6	40261139	Handle gasket
7	40262297	Handle seal
8	40263396	3" Pushbutton repair kit
9	40268874	3" Pushbutton assembly
9a	40262002	Triple seal handicap handle assembly
10	40262109	Socket assembly CP
11		Handle coupling CP
12	40268875	3" Pushbutton replacement kit
13		Handicap handle grip
14	40261011	Triple seal handle repair kit
15		Stop coupling CP
16		Adjustable tailpiece
17	40950069	O-ring
18	40261300	1" Control stop cap CP
	40268848	3/4" Control stop cap CP
19	40261083	Bonnet CP
20		Stop coupling CP
21		Ground joint tailpiece
22		1" Ground joint screwdriver Bak-Chek control stop CP
		3/4" Ground joint screwdriver Bak-Chek control stop CP
23	40261085	Control stop repair kit
24		1" Adjustable tailpiece SD Bak-Chek control stop CP
		3/4" Adjustable tailpiece SD Bak-Chek control stop CP



ITEM	PART #	DESCRIPTION
25		Vandal resistant stop cap assembly
26		Control stop cap with bumper
27		Control stop cap with extended bumper

SLOAN CROWN II AND CROWN

ITEM	PART #	DESCRIPTION
1		CP Cover
2		Cover O-ring
3		Cover Trim Ring
4		Piston Kit (1.6 gpf)
		Piston Kit (1.0 gpf)
		Piston Kit (.5 gpf)
4a	40261395	Inside cover sub assembly
4b		Piston (see chart at lower right)
4c	40261399	Main seat and o-ring
5	40262002	ADA compliant handle assembly for Crown
5a		ADA compliant handle assembly for Crown II



PISTON IDENTIFICATION TABLE

ITEM	PART #	DESCRIPTION
6		CP handle coupling
7	40261139	Handle gasket (ea)
8	40262109	CP socket assembly
9		ADA compliant handle grip sub-assembly
10	40261011	Handle repair kit
11		Handle trim ring (for Crown II)
12		Stop coupling
13	40268801	Spud coupling assembly
14		Locking ring
15	40950069	O-ring
16		Vandal resistant stop cap assembly
17		Control stop cap with bumper
18		Control stop cap with extended bumper
19	40268848	Locking vandal resistant control stop cap includes CP stop cap and friction ring
20	40261083	CP bonnet
21		1" Screwdriver Bak-Check Stop CP
		3/4" Screwdriver Bak-Check Stop CP
22		Control stop repair kit

	WATER CLOSET	URINAL	URINAL
	PART # 40261396 1.6 gpf	PART # 40261397 1.0 gpf	PART # 40261398 .5 gpf
Cap color	Green	Yellow	Red
Piston color	Clear	Clear	Clear
Barrel	Large Ribs	Small Ribs	Small Ribs
Grooves	1	1	3

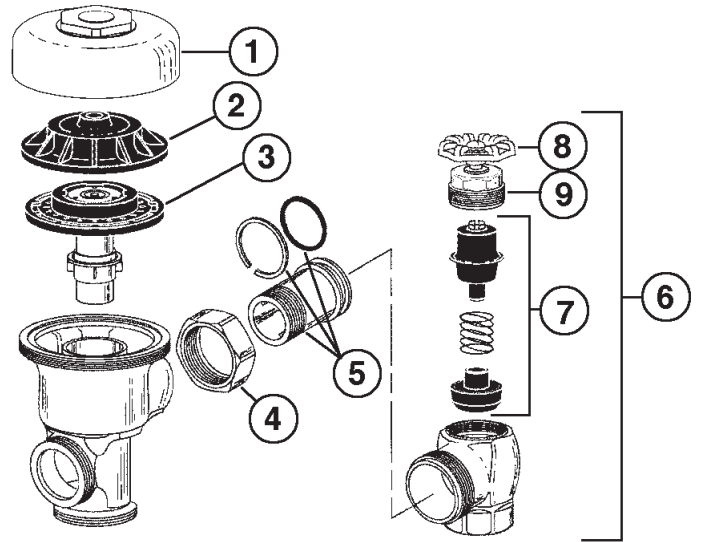
Toll Free Telephone: 877/867-8675 • Toll Free Fax: 877/867-8674
www.tms4parts.com

TOTAL MAINTENANCE SOLUTIONS
SLOAN VALVE
 FLUSH VALVE REPLACEMENT PARTS



SLOAN (DIAPHRAGM TYPE) FLUSH VALVES

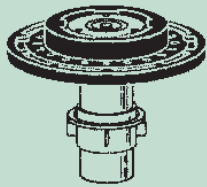
ITEM	PART #	DESCRIPTION
1		RB Cover
2	40261124	Inside Cover
3	(See Below)	Inside Parts Kit
4		Stop Coupling, RB
5		RB Adjustable Tailpiece, 2-1/16"
6		1" RB Wheel Handle Stop 3/4" RB Wheel Handle Stop
7	40261020	1" Repair Kit
	40261031	3/4" Repair Kit
8	40261017	Wheel Handle
9		RB Bonnet – 1" RB Bonnet – 3/4"



Content of Repair Kit:
 Wheel handle, spring, screw, seat
 and control stop.

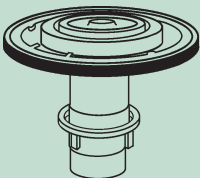
40261020 – 1" Kit
 40261031 – 3/4" Kit

SLOAN INSIDE PARTS KITS



PART #	DESCRIPTION
40260004	4.5 gpf
40261038	3.5 gpf
40261131	2.4 gpf
40261041	1.6 gpf
40261037	1.5 gpf
40261044	1.0 gpf
40261045	.5 gpf

SLOAN DUAL FILTERED INSIDE PARTS KIT



PART #	DESCRIPTION
40261121	3.5 gpf
40261122	1.6 gpf
40261120	1.5 gpf
40268949	1.28 gpf
40261123	1.0 gpf
40268938	.5 gpf

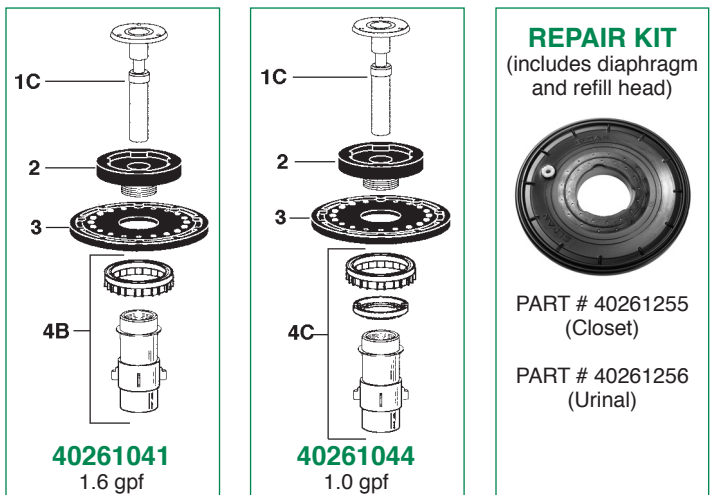
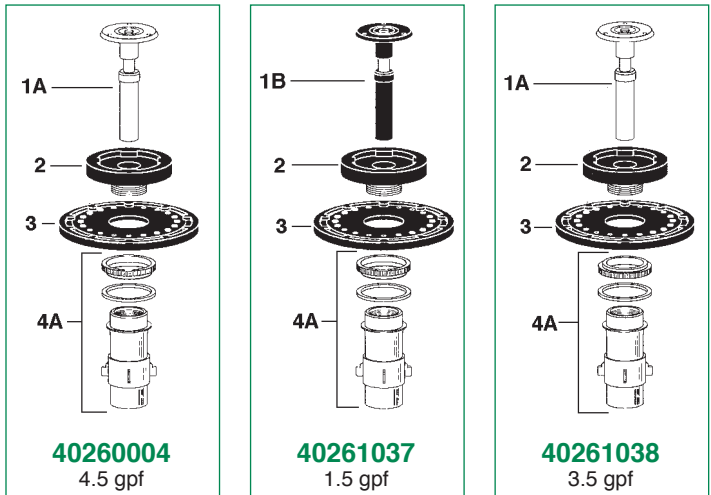
INSIDE PARTS KITS INDIVIDUAL ITEM IDENTIFICATION:

ITEM	PART #	DESCRIPTION
1A	40261129	Relief Valve – White
1B	40260415	Relief Valve – Black
1C	40261127	Relief Valve – Green
(not shown)	40260320	Relief Valve – Blue
2	40260234	Molded Disc
3	40261161	Diaphragm
4A	40201004	Guide Assembly
4B	40268864	Guide Assembly
4C	40268948	Guide Assembly

SLOAN WASHER SET

PART # 40260009

Includes molded disc,
 diaphragm, handle seal and
 gasket.



REPAIR KIT
 (includes diaphragm
 and refill head)

PART # 40261255
 (Closet)

PART # 40261256
 (Urinal)

Toll Free Telephone: 877/867-8675 • Toll Free Fax: 877/867-8674

www.tms4parts.com



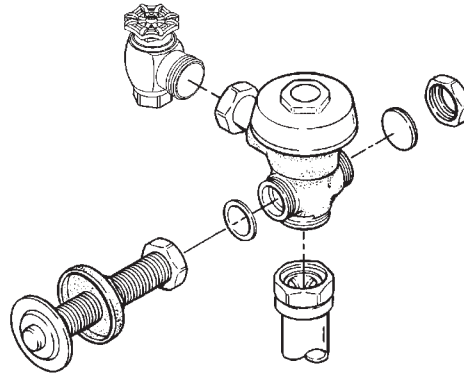
TOTAL MAINTENANCE SOLUTIONS

TOTAL MAINTENANCE SOLUTIONS

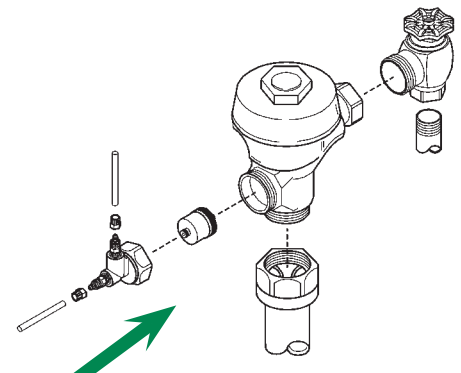
SLOAN VALVE

FLUSH VALVE REPLACEMENT PARTS

MANUAL PUSH BUTTON FLUSHOMETER



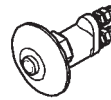
HYDRAULIC PUSH BUTTON FLUSHOMETER



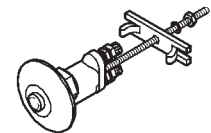
HYDRAULIC REPAIRS

ITEM	PART #	DESCRIPTION
1	40261012	1/4" X 40"
2	40261013	Connecting Tube
3	40261014	Tube fitting nut, 2 required
4	40261015	Tube fitting, 2 required
5	40260013	O-ring
5	40260013	Actuator Cartridge

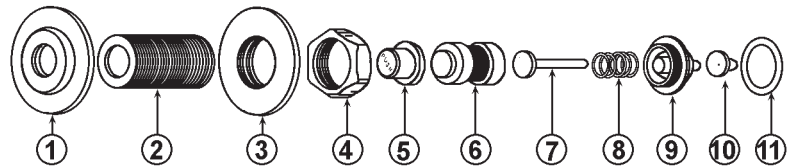
HY-108-A
Metal Button
Panel Mount
(MBPM)



HY-100-A
Metal Button
Fixture Washer
(MBFW)



ACTUATOR REPAIR KIT CARTRIDGE
(Item 5 above)
PART # 40260013

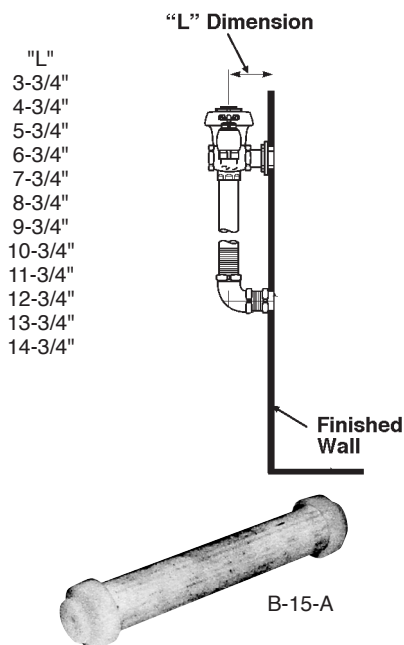


MANUAL PUSH BUTTON REPAIRS

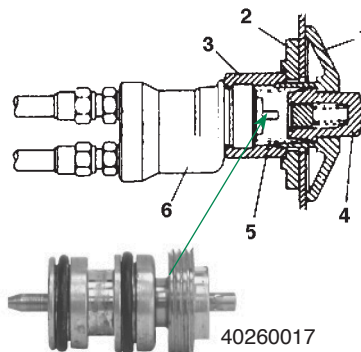
ITEM	PART #	DESCRIPTION
1	40261032	Wall flange, 2-3/4"
2		SPL VR Flange for wall box
3	40261033	In-wall sleeve
4	40261024	RB locknut
5	40261025	RB coupling
6		Index push button
7		Filler rod (see box at left)
8		Plunger
9		Spring
10	40262297	Bushing
11	40261139	Handle seal
7-11	40261026	Handle gasket
		Handle repair kit

FILLER RODS (B-15-A)

Specify "L" Dimension – face of finished wall to center of supply



HY-108-A PENALWARE METAL PUSH BUTTON

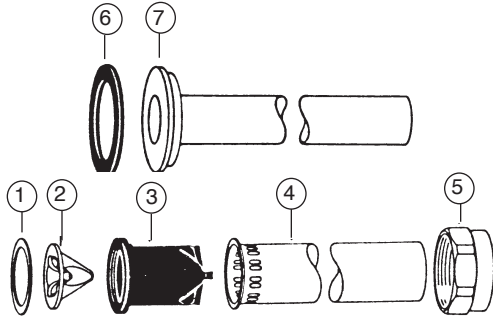


ITEM	PART #	DESCRIPTION
1	40261027	Flange
2	40261028	Mounting washer
3	40261029	Mounting nut
4	40268946	Pushbutton assembly
5	40261034	Spring
6	HY-20-A	Actuator assembly
7	40260017	HY-32A cartridge

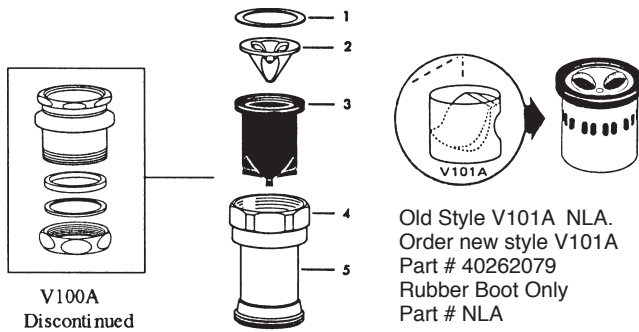
TOTAL MAINTENANCE SOLUTIONS
SLOAN VALVE
 FLUSH VALVE REPLACEMENT PARTS



SLOAN VACUUM BREAKER PARTS

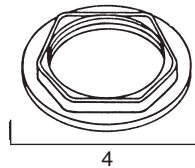
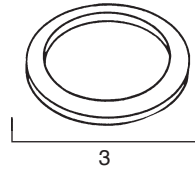
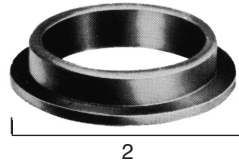
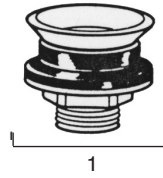


ITEM	PART #	DESCRIPTION
1-3	40201005	Repair kit for V-500 series
	40263005	3/4" x 9" CP vacuum breaker assy.
	40263210	3/4" x 15" CP vacuum breaker assy.
	40263006	1-1/4" x 9" CP vacuum breaker assy.
1-5	40261035	1-1/4" x 13-1/2" CP vacuum breaker assy.
	40261036	1-1/4" x 21-1/2" CP vacuum breaker assy.
	40268947	1-1/4" x 24" CP vacuum breaker assy.
	40261040	1-1/2" x 9" CP vacuum breaker assy.
	40261042	1-1/2" x 13-1/2" CP vacuum breaker assy.
	40261039	1-1/2" x 21-1/2" CP vacuum breaker assy.
	40263016	1-1/2" x 24-1/2" CP vacuum breaker assy.
1	40261047	1-1/2" friction ring
2	40261048	Baffle
3		Rubber sleeve (N/A order kit 40201005)
5	40261049	CP coupling
6	40261050	Gasket
7	40261052	3/4" x 10-1/2" CP outlet



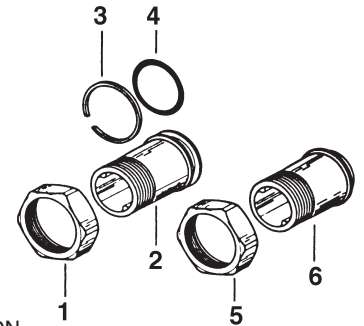
ITEM	PART #	DESCRIPTION
1-3	40201005	Repair kit for V-500 series
1-5	40263010	Vacuum breaker assy. V500A

BRASS SPUD PARTS



ITEM	PART #	DESCRIPTION
1	40210961	3/4" Brass spud assembly
	40210960	1-1/4" Brass spud assembly
	40210959	1-1/2" Brass spud assembly
	40210058	2" Brass spud assembly
	40210020	2" x 1-1/4" Brass spud
	40211068	2" x 1-1/2" Brass spud
2	40211020	3/4" Spud washer
	40211019	1-1/4" Spud washer
	40211018	1-1/2" Spud washer
	40211087	2" Spud washer
	40212120	3/4" Golden rubber spud washer
	40212110	1-1/4" Golden rubber spud washer
	40212118	1-1/2" Golden rubber spud washer
	40210022	1" Friction ring for 3/4" spud
3	40210023	1-1/4" Galvanized friction ring
	40210015	1-1/2" Galvanized friction ring
	40210025	2" Galvanized friction ring
4	40210035	3/4" Brass spud nut
	40210036	1-1/4" Brass spud nut
	40210037	1-1/2" Brass spud nut
	40210038	2" Brass spud nut

SLOAN TAILPIECE ASSEMBLIES & PARTS



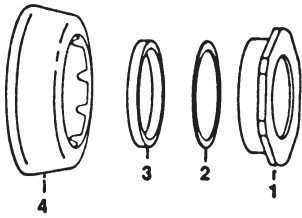
ITEM	PART #	DESCRIPTION
1	40268676	Coupling nut for adj. tpc
	40268801	2-1/16" Adjusting tpc.
2-4	40268803	3-1/16" Adjusting tpc.
	40268805	4-1/16" Adjusting tpc.
	40268807	5-1/16" Adjusting tpc.
3	40268381	Lock ring
4	40950069	O-ring
5	40261003	Coupling nut for G.J. tpc.
6	40261065	1-1/2" G.J. tailpiece
	40261004	1-3/4" G.J. tailpiece
	40261067	2" G.J. tailpiece
	40261068	3-1/4" G.J. tailpiece
	40261069	3-1/2" G.J. tailpiece



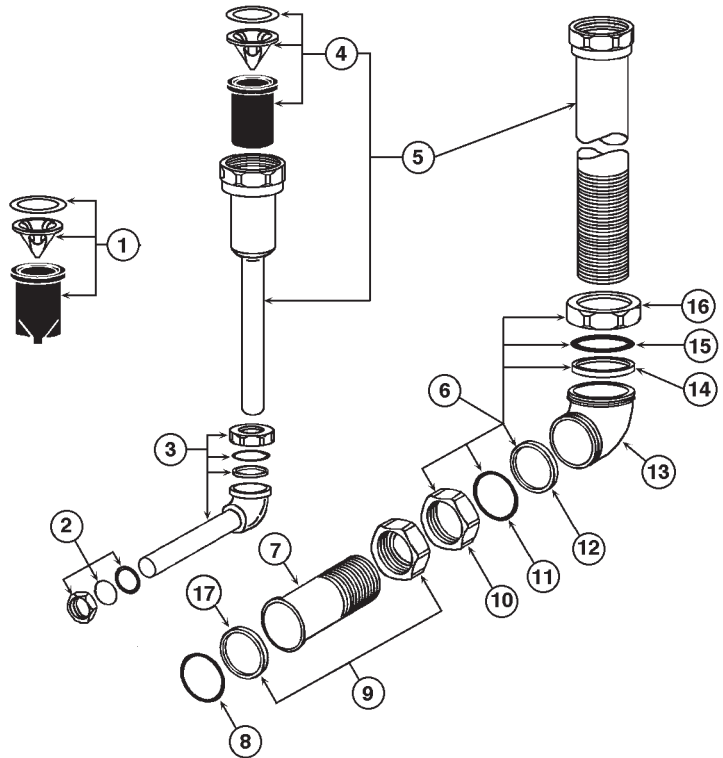


TOTAL MAINTENANCE SOLUTIONS

TOTAL MAINTENANCE SOLUTIONS
SLOAN VALVE
 FLUSH VALVE REPLACEMENT PARTS



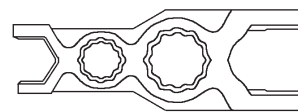
ITEM	PART #	DESCRIPTION
1-4	40266125	3/4" CP spud coupling assy.
	40261053	1" CP spud coupling assy.
	40266140	1-1/4" CP spud coupling assy.
	40266146	1-1/2" CP spud coupling assy.
1-3	40261054	3/4" spud coupling
	40261055	1-1/4" spud coupling
	40261056	1-1/2" spud coupling
2	40261057	3/4" friction ring
	40261058	1-1/4" friction ring
	40261009	1-1/2" friction ring
3	40261059	3/4" SJ gasket
	40261060	1" SJ gasket
	40950107	1-1/4" SJ gasket
	40950008	1-1/2" SJ gasket
4	40261061	3/4" spud flange
	40261062	1-1/4" spud flange
	40261063	1-1/2" spud flange



CONCEALED VACUUM BREAKER PARTS

ITEM	PART #	DESCRIPTION
1	40201005	Vacuum breaker repair kit
2		3/4" RB coupling, friction ring and rubber gasket
3		3/4" RB elbow flush connection with coupling and rubber gasket (specify length)
4	40263183	New style vacuum breaker repair kit
5		3/4" x 10-1/2" V/B assembly CP 3/4" x 15" V/B assembly RB 1-1/2" x 6" V/B assembly RB 1-1/2" x 7-1/2" V/B assembly RB 1-1/2" x 11-1/2" V/B assembly RB 1-1/2" x 13-1/2" V/B assembly RB 1-1/2" x 17-1/2" V/B assembly RB 1-1/2" x 22" V/B assembly RB
6	40261008	1-1/2" RB couplings (2 each), friction rings (2 each), and rubber gaskets (2 each)
7	40261296	1-1/2" x 3-1/4" w/ 3" score RB flared end flush connection
	40261297	1-1/2" x 9-1/2" w/ 9" score RB flared end flush connection
	40261298	1-1/2" x 15" w/ 13-1/2" score RB flared end flush connection
8	40261009	1-1/2" Friction ring
9	40261010	1-1/2" RB coupling and rubber gasket
10	40800036	1-1/2" SJ nut – brass
11	40261009	1-1/2" Friction ring
12	40950008	1-1/2" SJ gasket
13	40261299	RB elbow
14	40950008	1-1/2" SJ gasket
15	40261009	1-1/2" Friction ring
16	40800036	1-1/2" SJ nut – brass
17	40211324	Tailpiece washer
	40950135	Drip proof vinyl washer

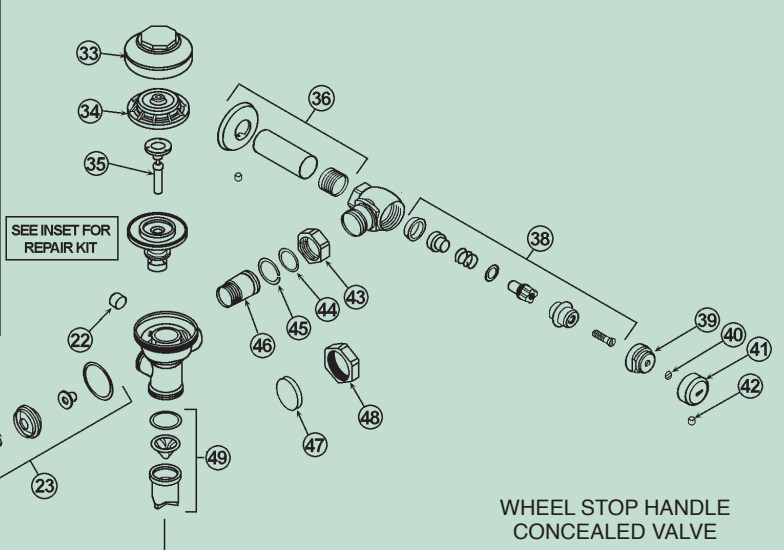
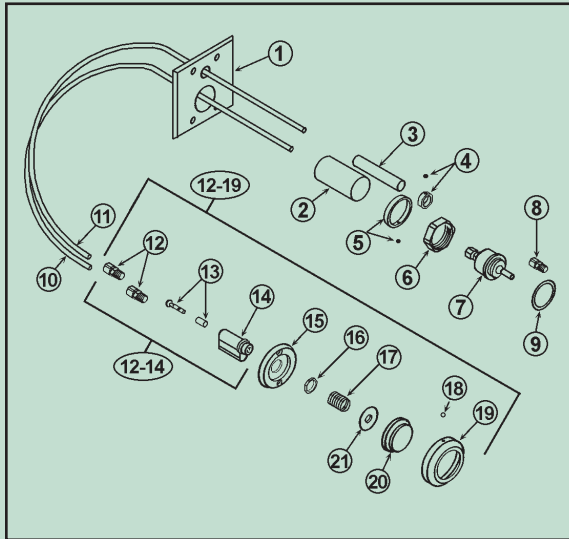
SLOAN FLUSH VALVE TOOLS



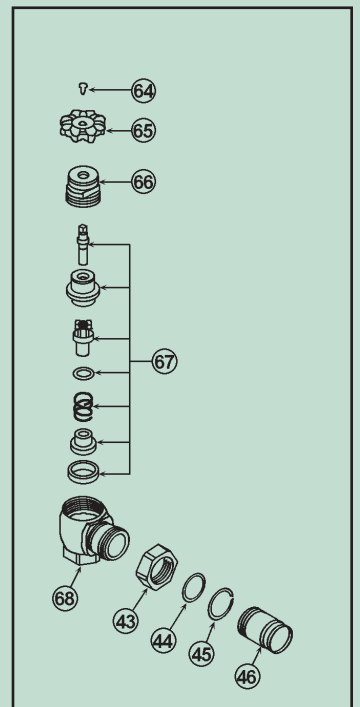
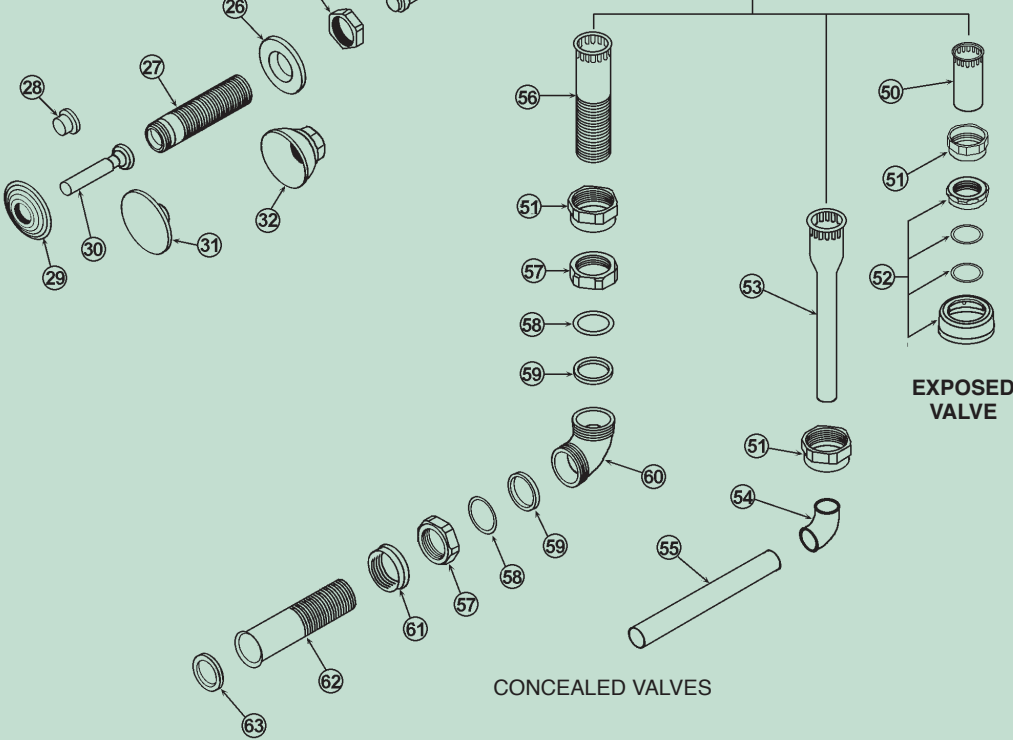
- 20205308 Sloan Super Wrench
- 20200226 Sloan valve wrench, fits Royal A72 & A4 covers, coupling nuts (not shown)

FOR MORE TOOLS, SEE PAGE 94

ZURN AQUAVANTAGE™ FLUSH VALVES – EXPOSED AND CONCEALED



WHEEL STOP HANDLE
 CONCEALED VALVE



ITEM	PART #	DESCRIPTION	ITEM	PART #	DESCRIPTION
1		Chrome cover plate	34	40261124	Plastic cover
2		Return cover tube	35	40261129	Trip mechanism – white
3		Supply cover tube		40260415	Trip mechanism – black
4		Cover tube ring with setscrew	36	40268788	3/4" Sweat adapter kit
5		Cover tube ring with setscrew		40268782	1" Sweat adapter kit
6		Handle nut	37		Stop body
7	40291000	Hydraulic plunger assembly	38	40291210	Stop repair kit 3/4" & 1"
8		1/16" Compression fitting		40291017	VP Stop repair kit 3/4" & 1"
9		Gasket	39	40291018	Stop cap
10		1/4" Return tube	40	40296003	Snap cap screw cover
11		1/4" Supply tube	41	40291019	Vandal-resistant control stop cover
12		1/8" Compression fitting	42	40291020	Set screw for control stop cover
13	40291001	Repair kit for hydraulic actuator	43	40268676	Locking nut
14		Actuator body	44	40950069	Tailpiece o-ring
12-14	40291002	Hydraulic actuator assy. – fixture wall	45	40268381	Snap ring
	40291003	Hydraulic actuator assy. – side wall	46	40268801	Tailpiece – 2-1/16"
15		Mounting plate	47		Solid gasket
16	40291004	Securing nut	48		Solid handle nut
17	40291005	Spring for large push button	49	40201005	Vacuum breaker repair kit
	40291006	Spring for small push button	50		Vacuum breaker tube (see page 23)
18		Escutcheon setscrew	51	40261049	Vacuum breaker tube nut
19		Escutcheon for large push button	52	40266146	1-1/2" Spud coupling assembly
12-19	40291007	Hydraulic metal PB – penal use		40266140	1-1/4" Spud coupling assembly
	40291008	Hydraulic large PB – side wall		40266125	3/4" Spud coupling assembly
	40291022	Hydraulic metal PB assy.	53		Vacuum breaker tube
20	40291009	Large push button	54		3/4" 90° Elbow
	40291010	Small push button	55		3/4" Horizontal tube
21		Spacer for large push button	56		Vacuum breaker tube (see page 51)
22		Filter	57	40800033	Coupling nut
23	40291209	Handle repair kit	58	40261009	Spud friction washer
24		Push rod/filler rod (specify length)	59	40950008	Spud friction gasket
25		Handle nut	60		90° Elbow
26		Adjusting nut	61		Spud nut
27		Sleeve/socket (specify length)	62		Flanged/scored horizontal tube
28	40291014	Optional 1" metal push button	63	40211324	Flat gasket
29	40291015	Wall escutcheon		40950135	Drip proof vinyl washer
30		Handle	64		Wheel handle screw
31		Optional 3" metal push button	65		Wheel handle w/ screw
32		Optional bell nut	66		Stop cap
33		Valve body cover	67	40291021	Wheel handle repair kit
			68		Stop body

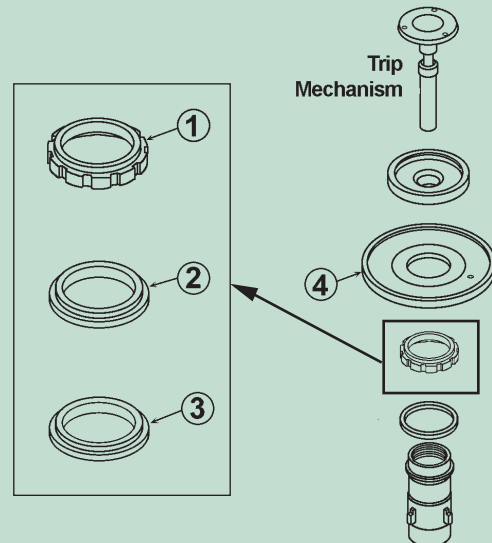
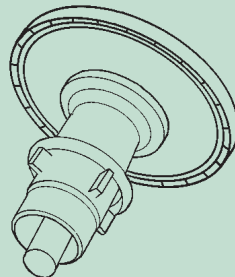
ZURN AQUAFLUSH DIAPHRAGM KIT

Replacement Parts Kit includes items 1, 2, 3 & 4 Part # 92991270

ITEM	DESCRIPTION
1	Black flow ring for 1.0 gpf urinal w/ black trip mechanism
2	White flow ring for 1.6 gpf closet w/ white trip mechanism
3	Yellow flow ring for 3.5 gpf closet w/ white trip mechanism or 1.5 gpf urinal w/ black trip mechanism
4	Diaphragm (Diaphragm only Part # 40291027)

ZURN AQUAFLUSH INSIDE PARTS KITS

PART #	DESCRIPTION
40291036	Closet kit 4.5 gpf
40296035	Closet kit 3.5 gpf
40296039	Closet kit 1.6 gpf
40291025	Urinal kit 1.5 gpf
40291031	Urinal kit 1.0 gpf





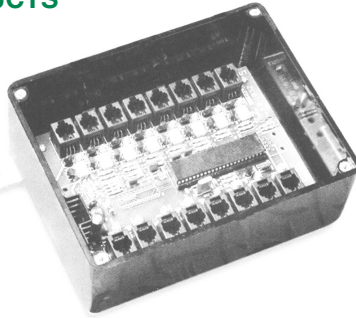
MICROPlumb PROGRAMMED WATER TECHNOLOGIES PRODUCTS AND SYSTEMS FROM SLOAN VALVE

Retrofit your existing air valve systems and provide your facility with dramatic savings in key areas:

- Reduced water usage
- Lower sewage cost
- Less energy needed to heat water
- Reduced maintenance

**MCR 800-A
 MICROPlumb PRODUCTS
 8-I/O CONTROLLER**

An eight input/output "Stand Alone" Controller used with MICROPlumb™ push buttons, electronic flushometers and solenoids to control water closets, lavatories and showers.



**MCR 1001-A
 MICROPlumb PRODUCTS
 SOLENOID OPERATOR RETROFIT KIT**

24 VAC solenoid operator kit used to convert hydraulic flushometers into electronic flushometers for use with MICROPlumb™ Controllers. Can also be used as repair part for existing MICROPlumb™ flushometers.



MICROPlumb PRODUCTS PUSHBUTTON

Waterproof push button for use with any MICROPlumb™ controller. Mounts on fixture back splashes, wall box covers or wall up to 1" thick. Activates water closets, lavatories and showers.



**SLOAN® OPTIMA SYSTEMS
 TRANSFORMERS**

Sloan offers a wide range of 24 VAC step down Transformers for use with Sloan OPTIMA® Flushometers and Faucets. All Sloan Transformers are Class II, UL Listed.



EL-154 Shown

**MICROPlumb PRODUCTS
 LAVATORY/SHOWER SOLENOID
 RETROFIT KIT**

24 VAC retrofit solenoid kit. Converts Acorn, Bradley, Metcraft and Willoughby air valve manifolds from pneumatic operation to electronic operation. Used in conjunction with MICROPlumb™ controllers to provide control over lavatory and shower water usage.

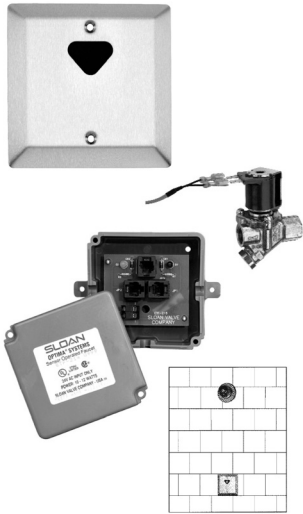


**MICROPlumb PRODUCTS RETROFIT
 FLUSHOMETER ASSEMBLIES**

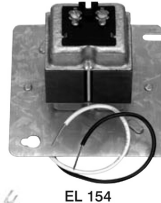
Concealed electronic operated water closet flushometer, for retrofit of manual, handle operated flushometer.



SHOWER SYSTEMS FROM SLOAN VALVE



PWT # MCR 176
Infrared sensor activated, electronic shower control for single, pre-mixed shower.



PWT # MCR 215

Infrared sensor-activated, electronic shower control for a single, pre-mixed shower. Includes items at left plus AC-11 Act-O-Matic® self-cleaning shower head with thumb-screw volume control.



PWT # MCR 216

Same as above, except includes AC-450 Act-O-Matic® self-cleaning institutional-style shower head.



PWT # MCR 217

Same as above, except includes AC-460 Act-O-Matic® self-cleaning institutional security-style shower head; access behind the wall required for installation

SLOAN VALVE/I-CON CROSS REFERENCE



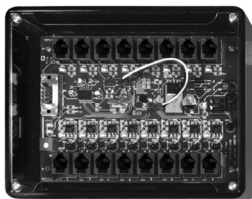
PWT # MCR 4004 **I-CON # CNC 0004**

Four input/output field-programmable Control Module to control lavatories, water closets, showers or combination fixtures.



PWT # MCR 194A **I-CON # PNB 1900**

24 VAC retrofit solenoid kit. Converts Acorn, Bradley, Metcraft and Willoughby air valve manifolds from pneumatic operation to electronic operation. Used in conjunction with MICROPlumb® controllers to provide control over lavatory and shower water usage.



PWT # MCR 8002 **I-CON # CNC 0008**

Eight input/output field-programmable Control Module to control lavatories, water closets, showers or combination fixtures.



PWT # MCR 140 **I-CON # SEPT 1489**

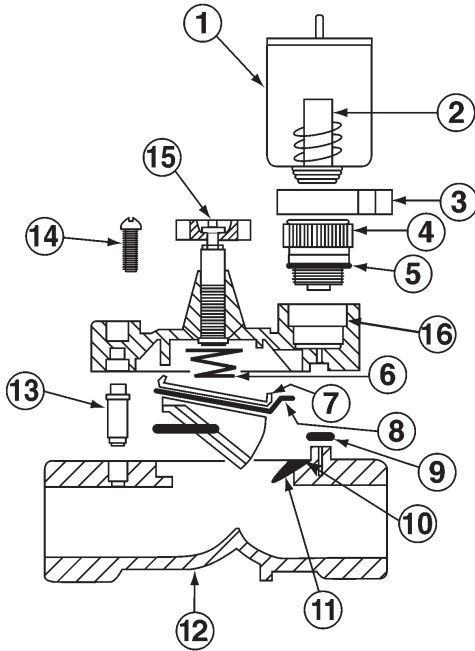
Waterproof push button for use with any controller. Activates water closets, lavatories and showers.

PUSH BUTTON (SPECIFY ROUND OR "D" HOLE)



PWT # EL 208 **I-CON # TRB0233**

Transformer designed for use with 24 VAC systems. Operates up to 10 water closets or urinal flush valves (any combination). 120 VAC input, class II, UL listed, 100 VA



MODEL 7001 REBUILD KIT

ITEM	DESCRIPTION
1	Solenoid
2	Core assembly
3	Bypass lever
4	Bleed plug
5	O-ring (bleed plug)
6*	Spring
7*	Support cup
8*	Seat seal assembly
9	O-ring (body)
10	Support ring
11	Diaphragm
12	Body
13	Metering plug kit
14*	Screw
15	Volume control

SEE REPAIR KIT FOR 1" SOLENOID

ITEMS AVAILABLE

COMPLETE VALVES and REPAIR KITS



**ULTRAFLOW
 PLASTIC
 VALVE, 1"**
 PART #
 40201028

**ULTRAFLOW
 PLASTIC
 VALVE 3/4"**

PART #
 40201029



MODEL 7075 REBUILD KIT

ITEM	DESCRIPTION
1	Solenoid assembly, 24V, ac, 60Hz
	Solenoid assembly, 24V ac, 50 Hz
2*	Manual bleed assembly
3*	O-rings
4*	Repair kit
5*	Diaphragm
6	Seat seal assembly

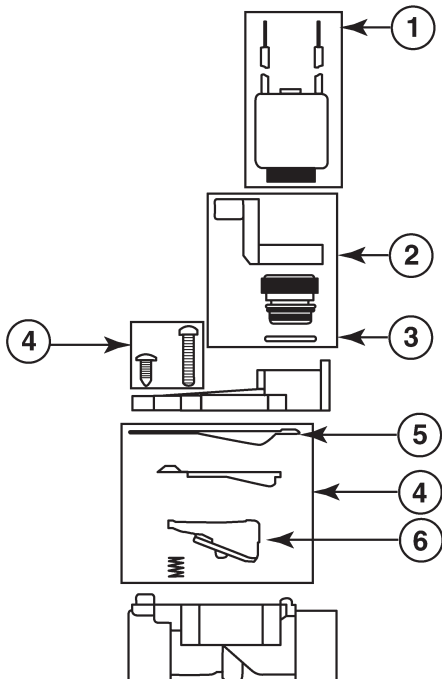
SEE REPAIR KIT FOR 3/4" SOLENOID



REPAIR KIT FOR 3/4" SOLENOID
 PART # 40261394



**REPAIR KIT FOR
 1" SOLENOID**
 PART # 40261393



* = ITEMS IN REPAIR KIT



**SOLENOID
 REPLACEMENT**
 PART # 40261392

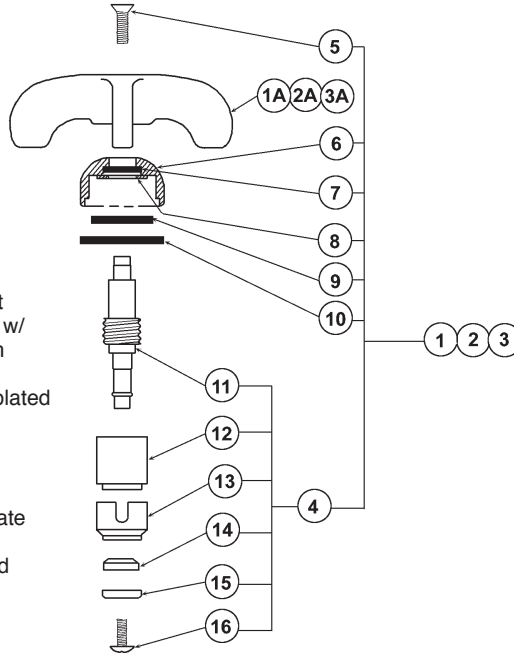


TOTAL MAINTENANCE SOLUTIONS

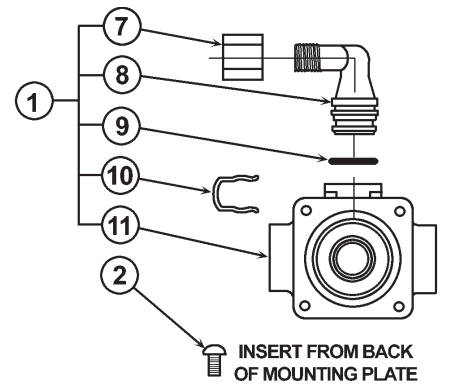
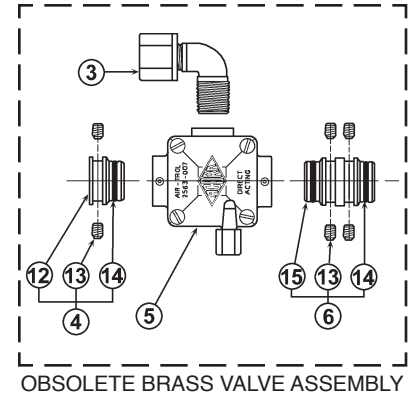
TOTAL MAINTENANCE SOLUTIONS ACORN ENGINEERING SHOWER VALVES AND PARTS

ACORN FLO-CLOZ CARTRIDGE FOR EXPOSED ZENITH AUGUST 1979 - PRESENT

ITEM	PART #	DESCRIPTION
1		Flo-Cloz cartridge assembly - single temp.
1A		Cross handle - single temp.
2		Flo-Cloz cartridge assembly - cold
2A	41011147	Cross handle - cold
3		Flo-Cloz cartridge assembly - hot
3A	41011148	Cross handle - hot
4	40170022	Flo-Cloz cartridge w/ chrome plate stem
5	41011150	Handle screw
6	41011151	Bonnet - chrome plated
7	40950023	O-Ring
8	40120668	O-Ring retainer
9	41011071	Bonnet gasket
10	41011152	Gasket
11		Stem - chrome plate
12-13		Seat & sleeve
14	40120188	Seat washer - hard
15		Disc retainer
16	50100013	Screw



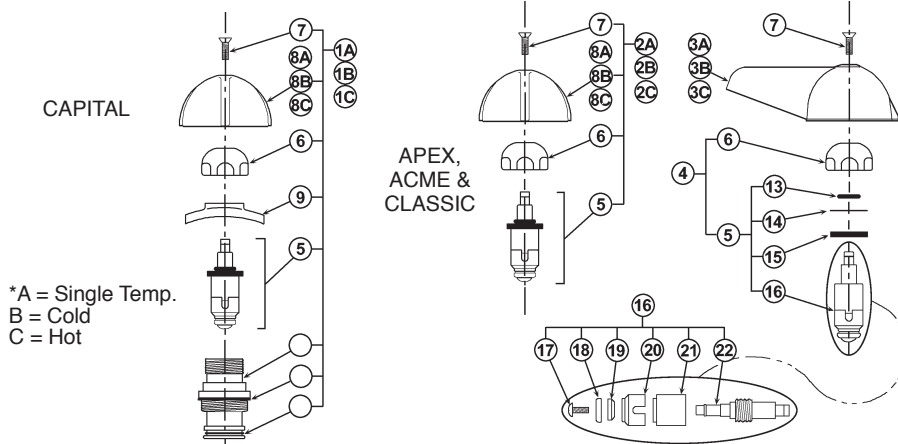
ACORN SINGLE TEMP AIR-CONTROL VALVE BODY ASSEMBLY LESS FLOW CONTROL



ITEM	PART #	DESCRIPTION
1		Air-control s/t valve assy - plastic
2		S/S screw
3		3/8" x 3/8" OD Tube elbow
4		Male O-ring plug assembly
5		Non-metering motor assembly
6		Male-to-male o-ring coupler assembly
7	41011122	1/4" Ferrule nut
8	41011157	Elbow
9	40950041	O-ring
10	41011123	Retaining clip
11		LH valve body
12		Male-to-male plug
13		Set screw
14	40950041	O-ring
15		Male-to-male o-ring coupler

ACORN CONCEALED FLO-CLOZ CARTRIDGE FOR APEX, ACME, CLASSIC & CAPITAL

ITEM	PART #	DESCRIPTION	ITEM	PART #	DESCRIPTION
1A, 1B, 1C		Capital Flo-Cloz assy.*	11	41011155	Gasket
2A, 2B, 2C		Flo-Cloz valve assy.*	12	41011156	O-Ring
3A, 3B, 3C		Flo-Cloz lever handle*	13	41001003	O-Ring
4		Flo-Cloz cartridge w/ bonnet assembly	14	40140031	O-Ring retainer
5	40170022	Flo-Cloz cartridge assy.	15	41011071	O-Ring
6	41011153	Bonnet	16		Flo-Cloz cartridge
7	41011154	Handle screw	17	50100013	Screw
8A, 8B, 8C		Canopy handle*	18		Disc retainer
9		Escutcheon - Capital only	19	40120188	Seat washer - hard
10		Valve adapter	20, 21		Seat & sleeve
			22		Stem



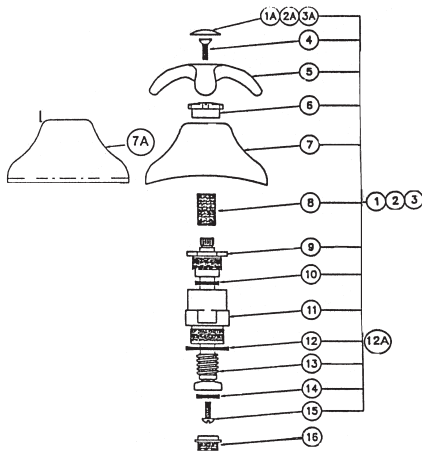
*A = Single Temp.
B = Cold
C = Hot

Toll Free Telephone: 877/867-8675 • Toll Free Fax: 877/867-8674
www.tms4parts.com

LOGAN MODEL 46 & 45 PANEL, MODEL 36 & 37 COLUMN SHOWERS

ITEM	PART #	DESCRIPTION
1	*	Valve assembly – neutral
1A	41011269	Welch button – neutral
2	*	Valve assembly – hot
2A	41011268	Welch button – hot
3	*	Valve assembly – cold
3A	41011270	Welch button – cold
4	40110513	Handle screw
5	41011243	Handle
6	41011244	Flange nut
7	41011245	Escutcheon – panel shower
7A	41011246	Escutcheon – column shower
8	41011247	Bonnet nipple
9	41011248	Packing nut
10	41011249	Stem packing
11	*	Stem sleeve
12	41011250	Washer – panel shower
12A	41011251	Washer – column shower
13	41011252	Valve stem assembly
14	41011253	Seat washer
15	50100013	Bibb screw
16	41011254	Valve seat

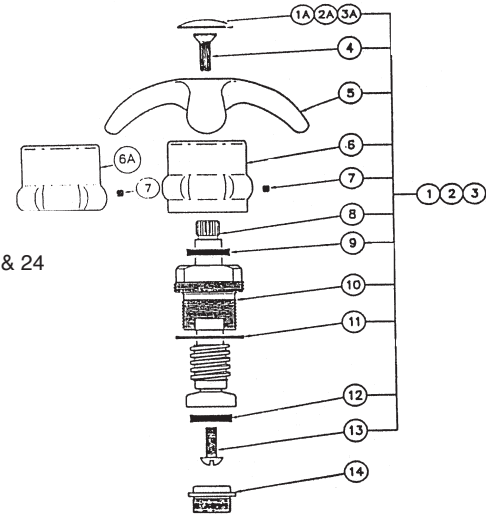
* Specify column or panel shower when ordering



LOGAN STEM & HANDLE ASSEMBLY FOR MODEL 27 & 28 PANEL SHOWER, MODEL 17, 18 & 24 EXPOSED PANEL SHOWER

ITEM	PART #	DESCRIPTION
1	*	Valve assembly – neutral
1A	41011269	Welch button – neutral
2	*	Valve assembly – hot
2A	41011268	Welch button – hot
3	*	Valve assembly – cold
3A	41011270	Welch button – cold
4	40110513	Handle screw
5	41011243	Handle
6		Bonnet nut – model 27 & 28
6A		Bonnet nut – model 17, 18 & 24
7	41011255	Set screw
8	41011256	Stem assembly
9	41011249	Stem packing
10	*	Stem sleeve
11	41011257	Sleeve washer
12	41011253	Seat washer
13	50100013	Bibb screw
14	41011254	Valve seat

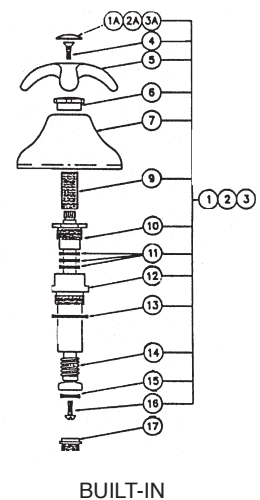
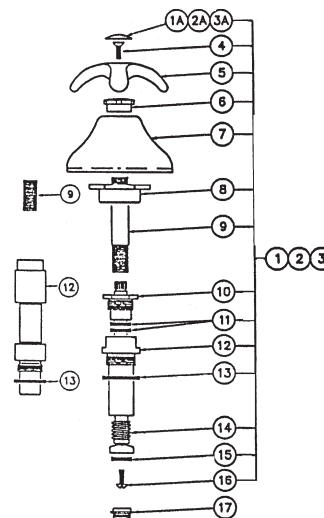
* Specify model number of shower



LOGAN STEM & HANDLE ASSEMBLY FOR MDLE. 19 & 26 BUILT-IN, FRONT & REAR ACCESS EXTENDED STEM VALVES

ITEM	PART #	DESCRIPTION
1	*	Valve assembly – neutral
1A	41011269	Valve assembly – neutral front access & built-in
2	*	Valve assembly – hot
2A	41011268	Valve assembly – hot rear access
3	*	Valve assembly – cold
3A	41011270	Valve assembly – cold rear access
4	40110513	Handle screw
5	41011243	Handle
6	41011244	Flange nut
7	41011245	Escutcheon – 3-1/2"
8	41011258	Hex plug
9	41011247	Bonnet nipple – front access & built-in
9	41011272	Bonnet nipple – rear access
10	41011273	Packing nut
11	41011249	Stem packing
12	*	Stem sleeve
13	41011250	Washer
14	41011274	Stem assembly
15	41011253	Seat washer
16	50100013	Bibb screw
17	41011254	Valve seat

* Specify valve type – Front or Rear Access or Built-in



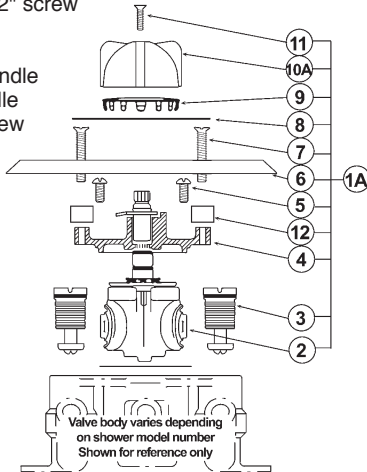


TOTAL MAINTENANCE SOLUTIONS

TOTAL MAINTENANCE SOLUTIONS ACORN ENGINEERING SHOWER VALVES AND PARTS

ACORN SAFTI-TROL VALVE FOR APEX, CLASSIC, ACME & ZENITH VALVES APRIL 1977 - PRESENT

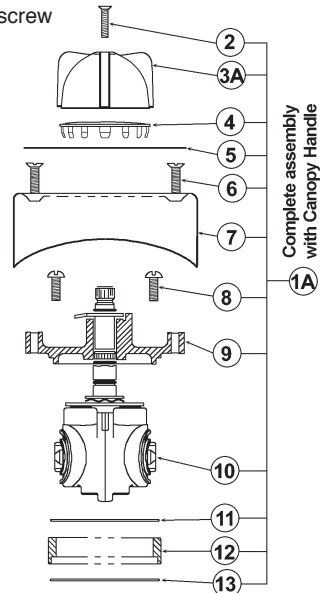
ITEM	PART #	DESCRIPTION
1A		Valve assy. w/canopy handle
1B		Valve assy. w/lever handle
2	41011143	Cartridge w/stem & plate assy.
3	41011159	Cartridge w/stem & plate assy. - Zenith
3	41011099	Check stop assembly
4		Bonnet cap
5		10-32 x 1/2" screw
6	41011160	Escutcheon
7	41011161	8-32 x 1-1/2" screw
8	41011162	Dial plate
9	41011163	Snap ring
10A	41011164	Canopy handle
10B	41011165	Lever handle
11	41011150	Handle screw
12		Spacer



1A
COMPLETE ASSEMBLY
W/ CANOPY HANDLE

ACORN SAFTI-TROL VALVE FOR CAPITAL APRIL 1977 - PRESENT

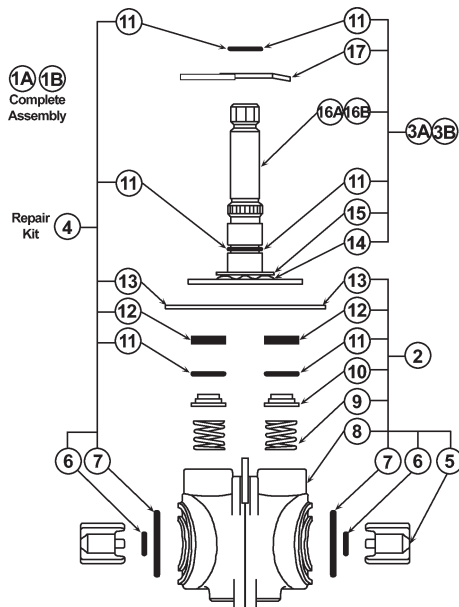
ITEM	PART #	DESCRIPTION
1A		Valve assy. w/ canopy handle
1B		Valve assy. w/ lever handle
10	41011143	Cartridge w/ stem & plate assy.
	41011099	Check stop assembly (not shown)
9		Bonnet cap
8		10-32 x 1/2" screw
7	41011166	Escutcheon
6	41011161	8-32 x 1-1/2" screw
5	41011162	Dial plate
4	41011163	Snap ring
3A	41011164	Canopy handle
3B	41011165	Lever handle
2	41011150	Handle screw
12		Spacer
13		Escutcheon for 6 stations



3B
COMPLETE ASSEMBLY
WITH LEVER HANDLE

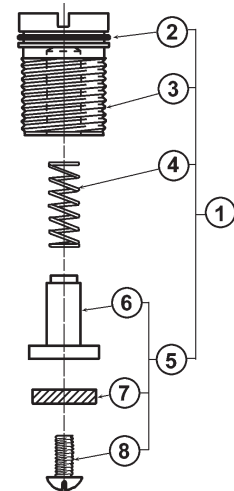
ACORN SAFTI-TROL VALVE/CARTRIDGE/STEM & PLATE ASSEMBLY - APRIL 1977 - PRESENT

ITEM	PART #	DESCRIPTION
1A	41011143	Cartridge & stem plate - std.
1B	41011159	Cartridge & stem plate - ext.
2	41011144	Cartridge assy. items 5 thru 13
3A		Safti-trol stem assy.
3B		Safti-trol stem assy. - ext
4	41011168	O-Ring & gasket repair kit
5		Proportional valve cap
6		O-Ring
7		O-Ring
8		Cartridge shell
9		Outlet spring
10		Shut off disc retainer
11	40950021	Outlet o-ring
12		Gasket
13		Bonnet gasket
14		Thrust washer
15		Fibre washer
16A	41011169	Stem & plate assembly - std.
16B	41011170	Stem & plate assy. - ext.
17		Temperature limiting stop



ACORN CHECK STOP ASSEMBLY FOR SAFTI-TROL MAY 1970 - PRESENT

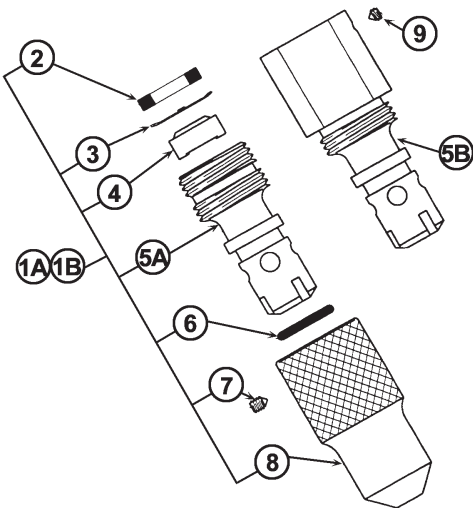
ITEM	PART #	DESCRIPTION
1	41011099	Check stop assy.- comp
2		O-Ring
3		Check stop body
4		Spring
5		Check valve sub-assy
6		Check valve
7	40110119	Washer
8	50100011	Screw



TOTAL MAINTENANCE SOLUTIONS
ACORN ENGINEERING
 SHOWER VALVES AND PARTS



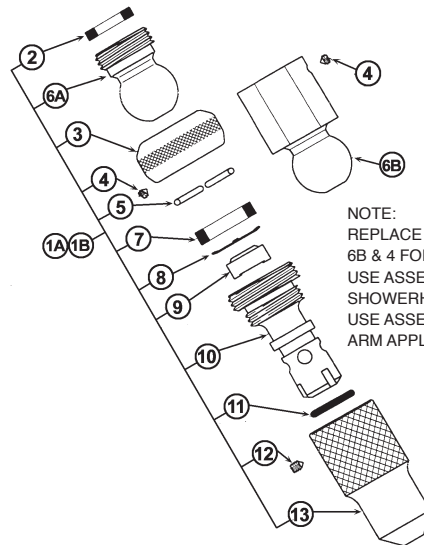
ACORN INSTITUTIONAL SHOWERHEADS



NOTE:
 REPLACE ITEMS 5A WITH ITEMS 5B & 7 FOR ASSEMBLY 1B
 USE ASSEMBLY 1A FOR ACORN SHOWERHEAD BRACKETS
 USE ASSEMBLY 1B FOR BENT ARM APPLICATIONS

ACORN SHOWER NOZZLE ASSEMBLY – RIGID HEAD – AUGUST 1974 - JANUARY 1993

ITEM	PART #	DESCRIPTION
1A		Showerhead assembly, male
1B	41011259	Showerhead assembly, female
2	41011171	Gasket
3	41011172	Retaining washer
4	41011173	2.5 GPM Flo-Control
5A		Cap receiver, male
5B		Cap receiver, female
6	41011181	O-Ring
7	41011175	#6 -32 x 3/16 set screw
8	41011176	Shower cap
9	41011177	#6 - 32 x 1/8 set screw



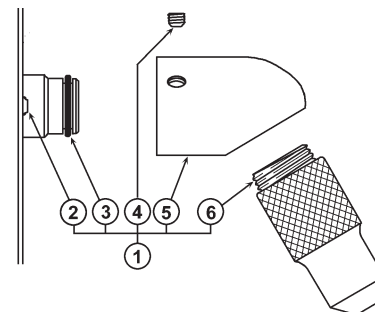
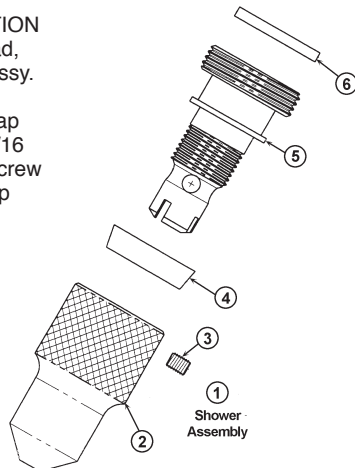
NOTE:
 REPLACE ITEM 6A WITH ITEMS 6B & 4 FOR ASSEMBLY 1B
 USE ASSEMBLY 1A FOR ACORN SHOWERHEAD BRACKETS
 USE ASSEMBLY 1B FOR BENT ARM APPLICATIONS

ACORN UNIVERSAL BALL JOINT (-Y) 1974 - JANUARY 1993

ITEM	PART #	DESCRIPTION
1A	41011260	Showerhead assembly, male
1B	41011275	Showerhead assembly, female
2	41011171	Gasket
3	41011178	Ball joint nut
4	41011177	#6 - 32 x 1/8 set screw
5	41011179	Retaining rings
6A		Ball joint body, male
6B		Ball joint body, female
7	41011180	Gasket
8	41011172	Flo-Control retainer
9	41011173	2.5 GPM Flo-Control
10		Cap receiver
11	41011181	O-Ring 401
12	41011175	#6 - 32 x 3/16 set screw
13	41011176	Shower cap

ACORN LOGAN ADJUSTABLE SHOWERHEAD

ITEM	PART #	DESCRIPTION
1	41011182	Showerhead, complete assy.
2	41011183	Logan adjusting cap
3	41011175	#6 - 32 x 3/16 cup point screw
4	41011184	Lomaco cap gasket
5	41011185	Logan cap receiver
6	41011186	Gasket



ACORN STANDARD SHOWERHEAD #851

ITEM	PART #	DESCRIPTION
1	41011187	#851 Showerhead assembly, std.
2	41011188	#10 - 32 x 1/2 Tri-Slot
3	40950028	O-Ring
4	41011190	1/4 - 28 x 3/16 set screw
5	41011229	Showerhead bracket, standard
6	41011145	Shower nozzle assembly

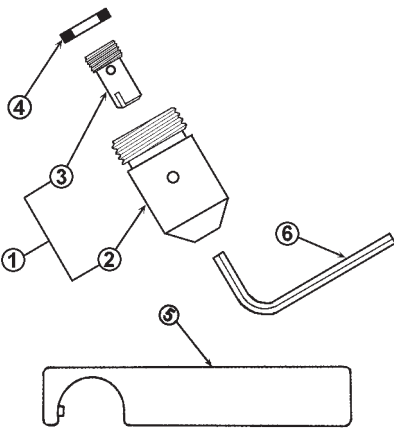
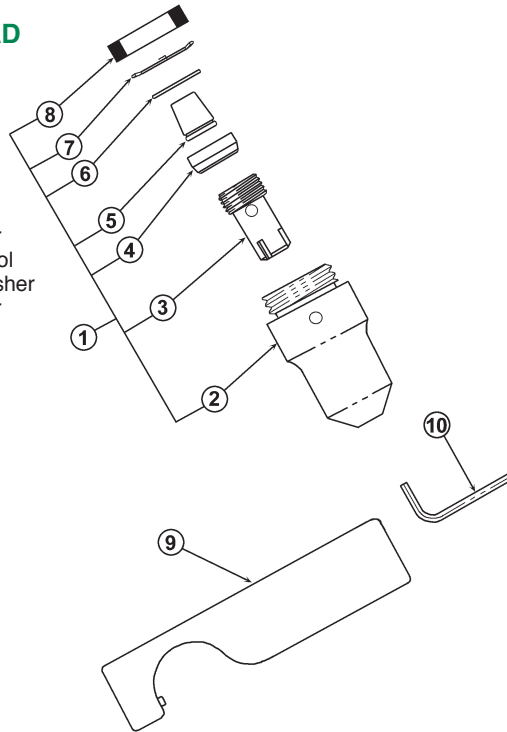


TOTAL MAINTENANCE SOLUTIONS

ACORN INSTITUTIONAL SHOWERHEADS

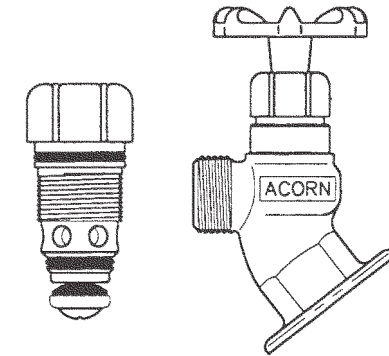
ACORN PENAL SHOWERHEAD WITH FLO-CONTROL

ITEM	PART #	DESCRIPTION
1		Showerhead assembly
2		Cap – Internally adjustable
3	41011195	Adjustable insert
4		Flo-control retainer
5	41011135	2.2 GPM Flo-control
6	41011201	Stainless steel washer
7	41011172	Flo-control retainer
8	41011171	Gasket
9	41011196	Penal shower head wrench
10	41011197	1/8" Allen wrench



ACORN PENAL SHOWERHEAD ASSEMBLY

ITEM	PART #	DESCRIPTION
1	41011193	Showerhead assembly
2	41011194	Cap – internally adjustable
3	41011195	Adjustable insert
4	41011171	Gasket
5	41011196	Penal shower head wrench
6	41011197	1/8" Allen wrench



ACORN SILL COCK ASSEMBLY

PART #	DESCRIPTION
41011198	3/4" Sill Cock - rough brass
41011230	Lockshield cartridge, brass

TOTAL MAINTENANCE SOLUTIONS

ACORN ENGINEERING

SHOWER VALVES AND PARTS

COMPLETE ACORN INSTITUTIONAL SHOWERHEADS



PART # 41011275



PART # 41011260



PART # 41011259



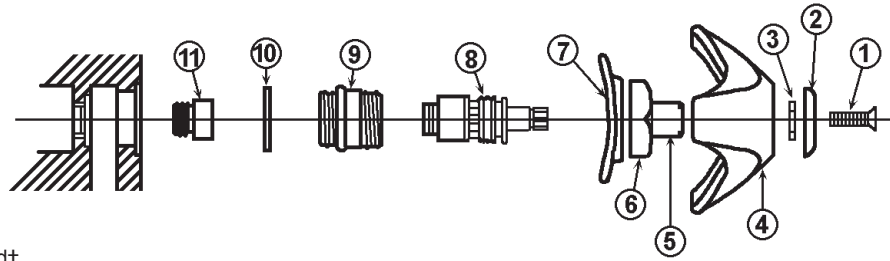
PART # 41011145



PART # 41011193

BRADLEY POS-I-PAK (OBSOLETE)

ITEM	PART #	DESCRIPTION
1	40120817	Handle screw
2	41021429	Tempered index
	40121084	Cold index
	40120830	Hot index
3	40121083	Washer
4	41021085	Handle
5	41021430	Adapter
6	NLA	Bonnet
7	NLA	Escutcheon
8	41021225	Valve Unit, Hot & Cold†
9		Valve body – NLA
10	41021431	Washer
11	41021432	Valve seat
	41021433	Valve seat – column shower

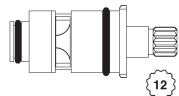


NOTE: To convert obsolete Pos-i-Pak to current style compression valve

PART #	DESCRIPTION
41021090	For column showers*
41021091	For wall mounted showers*

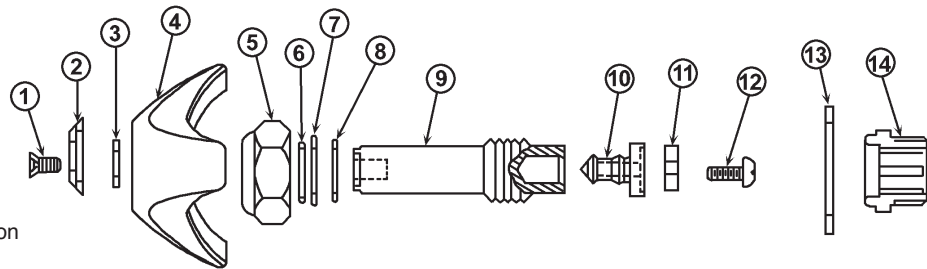
* Does not include handle, screw or index

† No longer available from Bradley. Unit is non OEM.



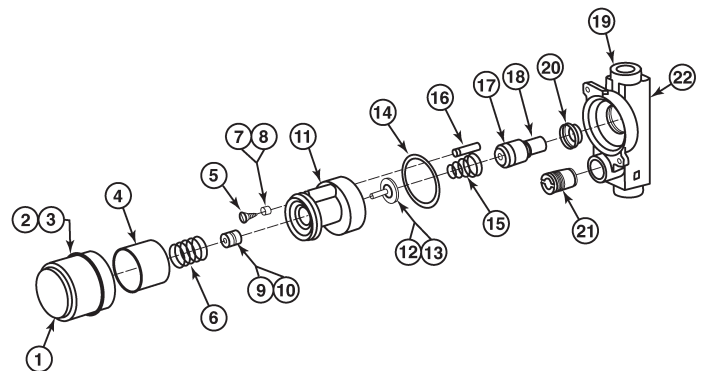
BRADLEY COMPRESSION SHOWER VALVE 1949 - PRESENT – THIRD S02-031 SERIES

ITEM	PART #	DESCRIPTION
1	40120817	Handle screw
2	41021429	White index washer
	40121084	Blue index washer
	40120830	Red index washer
3	41021434	Insert washer
4	41021085	Handle
5	41021433	Bonnet
6	41021093	O-ring
7	41021094	Fiber washer
8	41021095	Brass washer
9	41021096	Valve stem
10	41021436	Valve stem extension
11	40110162	Bibb washer
12		Screw
13		Fiber washer for valve body
14		Valve seat – H & C
15	41021226	Repair kit (includes 6, 7, 10, 11 & 12)



BRADLEY TOUCH'N FLO VALVE

ITEM	PART #	DESCRIPTION
1	40120866	Pushbutton
2	40120867	Cover 1-5/8" long
3	40120868	Cover (indiv.-only) 2-3/4"
4	40120869	Spacer (indiv.-only)
5	41021103	Adjusting screw assy.
6	41021437	Spring
7		Timing cartridge 35-50 sec
8		Timing cartridge 45-65 sec
9		Obsolete Part
10		O-ring
11		Guide Assembly
12		Valve Body
13		Poppet Assembly
14		O-ring
15	40120870	Gasket
16	41021108	Conical spring
17	41021109	Filter
18		U-cup
19	41021110	Piston assembly
20	40120871	Bottom body
21	41021112	Seat
		Internal stop core
		Lubricant (not pictured)



ITEM	PART #	DESCRIPTION
	41021113	Repair kit 1 (items 7, 13, 14, 15, 16 & 18)
	41021280	Body assembly kit (items 5, 7, 10, 11, 12 & 16)
	41021281	Repair kit 2 (items 5, 7, 10, 11, 12, 15, 16 & 18)
		Repair kit 3 (items 1, 2, 5, 6, 7, 10, 11, 12, 15, 16, & 18)



TOTAL MAINTENANCE SOLUTIONS

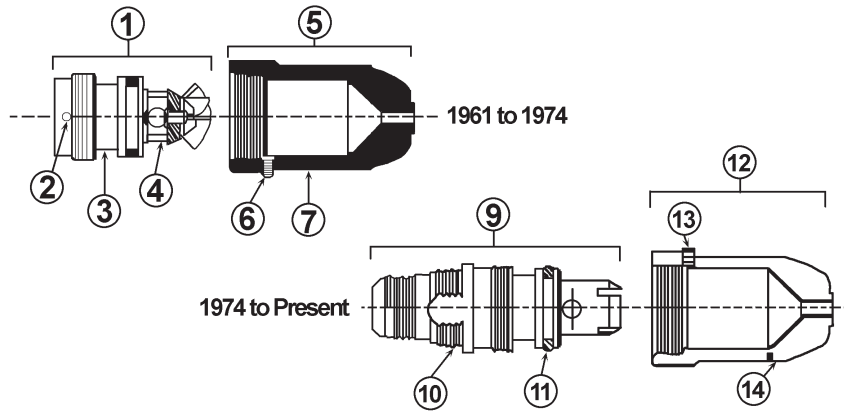
TOTAL MAINTENANCE SOLUTIONS

BRADLEY

SHOWER VALVES AND PARTS

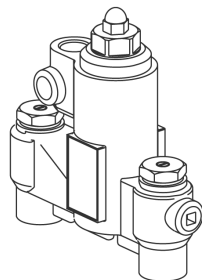
BRADLEY SHOWERHEADS – COLUMN & WALL SHOWERS

ITEM	PART #	DESCRIPTION
1	41021229	Core assembly
2	41021230	Set screw
3		Core - see item 1
4	41021231	O-ring
5	41021232	Shell assembly
6	41021233	Set screw (2)
7		Shell - see item 5
1-7	41021121	Complete Showerhead w/core assembly
9	41021234	Core assembly
10		Core - see item 9
11	41021231	O-ring
12	41021232	Shell assembly
13	41021233	Set screw (2)
14		Shell - see item 12
15	41021122	Complete Showerhead w/core assembly



BRADLEY NAVIGATOR – STANDARD TMV25 – MODEL S59-2025 THERMOSTATIC MIXING VALVE

ITEM	DESCRIPTION
1	Valve body
2	O-ring
3	O-ring
4	Liner
5	Spring
6	Hex Nut
7	Seal
8	Piston
9	Spring
10	Retainer
11	Overheat screw
12	Seat
13	Push rod
14	Thermostat
15	O-ring
16	O-ring
17	Control cap
18	Set screw
19	Acorn Nut
20	O-ring
21	Stem
22	Cap
23	O-ring
24	Spring
25	Holder
26	Seal
27	Strainer
28	Seat
29	O-ring
30	Nameplate
31	Pipe plug (1/2")



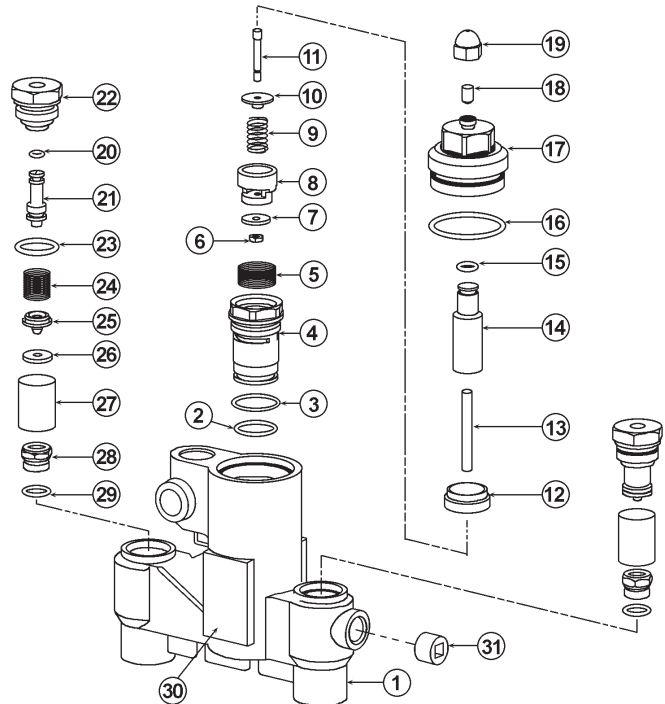
REPAIR KITS

Piston & Liner Kit (includes items 2, 3, 4, 5, 6, 7, 8, 9, 10, 11, & 12)
Part # 41021235

O-ring & Seal Kit (includes items 2, 3, 7, 15, 16, 20(2), 23(2), 26(2), & 29(2))
Part # 41021236

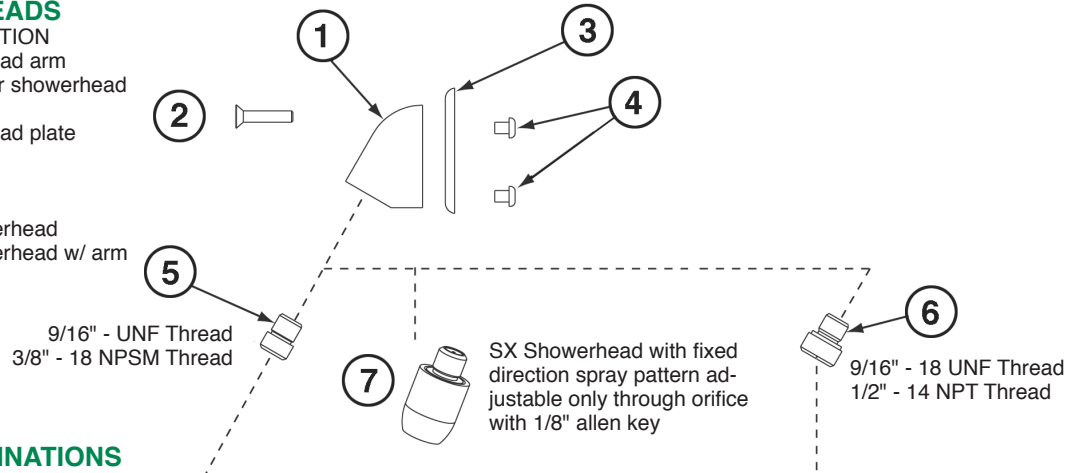
Thermostat Kit (includes 14, 15, & 16)
Part # 41021237

Check/Stop Kit (includes 2 each of 20, 21, 22, 23, 24, 25, 26, 27, 28, & 29)
Part # 41021238



BRADLEY SHOWERHEADS

ITEM	PART #	DESCRIPTION
1		Showerhead arm
2		Screws for showerhead plate
3		Showerhead plate
4		Screw
5	41021271	Adapter
6	41021272	Adapter
7	41021273	SX Showerhead
	**	SX Showerhead w/ arm



** SPECIAL ORDER

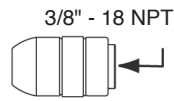
9/16" - UNF Thread
3/8" - 18 NPSM Thread

SX Showerhead with fixed direction spray pattern adjustable only through orifice with 1/8" allen key

9/16" - 18 UNF Thread
1/2" - 14 NPT Thread

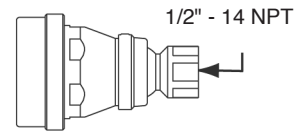
SHOWERHEAD COMBINATIONS

Standard Showerhead
Part # 41021121
Showerhead with Arm and Plate
AVAILABLE BY SPECIAL ORDER

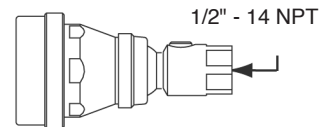


DELUXE SHOWERHEADS

Ball Joint
Part # 41021274
Lockable Ball Joint
AVAILABLE BY SPECIAL ORDER
Showerhead with Arm and Plate
AVAILABLE BY SPECIAL ORDER



Allen Key Volume Control
Ball Joint
Part # 41021275
Showerhead with Arm and Plate
AVAILABLE BY SPECIAL ORDER



Allen Key Control Lockable
Ball Joint
AVAILABLE BY SPECIAL ORDER
Showerhead with Arm and Plate
AVAILABLE BY SPECIAL ORDER

ARMSTRONG RADA WATER TEMPERATURE CONTROLS

SAMPLE PRODUCTS INCLUDE
MODEL 320, MODEL 320D,
MODEL 50, MODEL 425

CALL WITH YOUR REQUIREMENTS





TOTAL MAINTENANCE SOLUTIONS

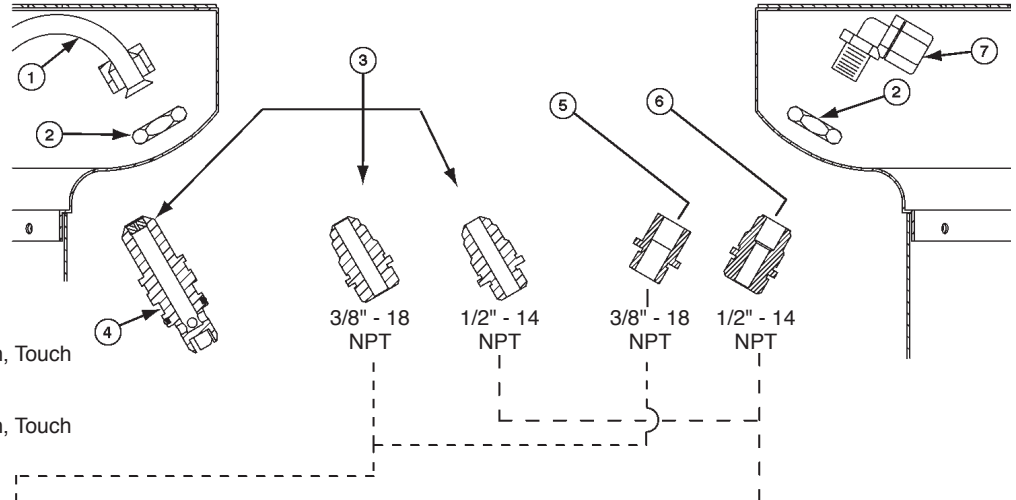
BRADLEY COLUMN SHOWER AND WALL SAVER SHOWERHEADS

TOTAL MAINTENANCE SOLUTIONS

BRADLEY

SHOWER VALVES AND PARTS

Item	Part #	Description
1		Supply Tube
2		Nut
3		Showerhead Adapter for Flared Connection
4	41021234	Plastic Head Core Assembly with 2.5 GPM Max Flow Control Same as above, 3.0 GPM Flow Control Same as above, 1.5 GPM Flow Control
5		Showerhead adapter (for use with Micro-Touch, Touch Time and Air Metering)
6		Showerhead adapter (for use with Micro-Touch, Touch Time and Air Metering)
7		Tube Connector



3/8" - 18 NPT Standard Showerhead
Part # 41021121

Plastic Showerhead Assembly
Part # 41021122
Vandal Resistant
For vandal prone areas, use Part # 41021121

SX SHOWERHEAD
Fixed direction spray pattern is adjustable only through orifice with 1/8" Allen Key

SX Showerhead (includes adapter and flow control) for **FLARED CONNECTION SUPPLY TUBES**
Part # 41021278

SX Showerhead (1/4"-18 NPT Threaded Connector) includes flow control for use with **TUBE CONNECTOR**
Part # 41021279

DELUXE SHOWERHEADS

Ball Joint
Part # 41021277
Lockable Ball Joint Assembly
AVAILABLE BY SPECIAL ORDER

Allen Key Control Volume
Ball Joint
Part # 41021275
Allen Key Volume Control
Lockable Ball Joint Assembly
AVAILABLE BY SPECIAL ORDER



BRADLEY NAVIGATOR – STANDARD TMV45 – MODEL S59-2045 THERMOSTATIC MIXING VALVE

ITEM	DESCRIPTION	ITEM	DESCRIPTION
1	Valve body	33	Washer
2	O-ring	34	Nut
3	Liner	35	Seat
4	Washer	36	O-ring
5	Screw	37	Nameplate
6	Spring	38	Brass Pipe, 3/4" IPS
7	Overheat spring chamber		
8	Spring		
9	Washer		
11	Piston		
13	Overheat nut		
15	Thermostat		
16	Push rod		
17	O-ring		
18	O-ring		
19	O-ring		
20	Mixing valve cap		
21	O-ring		
22	Control cap		
23	Set screw		
24	Screw		
25	Cap		
26	O-ring		
27	Stem		
28	O-ring		
29	Strainer		
30	Spring		
31	Holder (for seal)		
32	Seal		

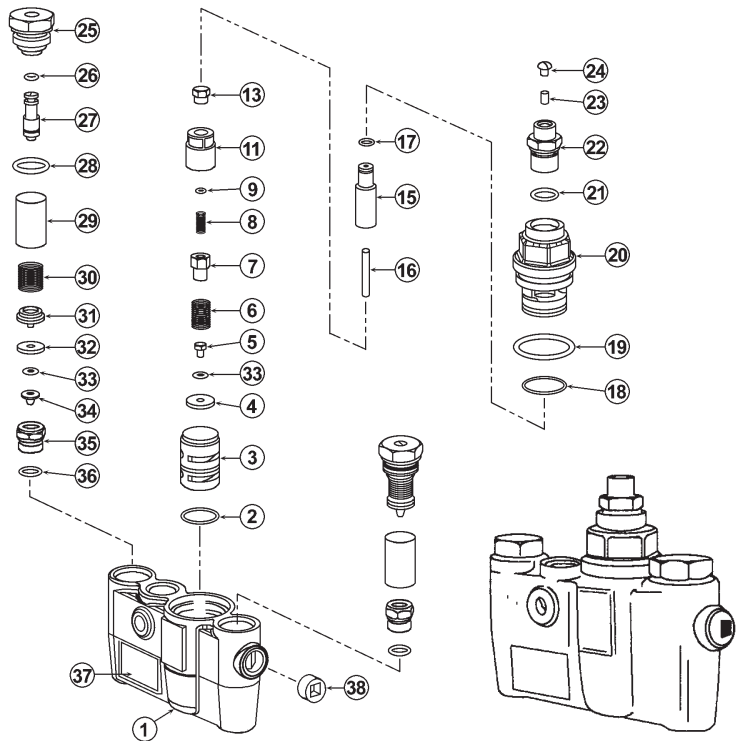
REPAIR KITS

Piston & Liner Kit (includes 2, 3, 4, 5, 6, 7, 8, 9, 11, 13, & 33)
Part # 41021239

O-ring & Seal Kit (includes 2, 4, 9, 17, 18, 19, 21, 26(2), 28(2), 32(2), 33(2), & 36(2))
Part # 41021240

Thermostat Kit (includes 15, 17, & 21)
Part # 41021241

Check/Stop Kit (includes 2 each of 25, 26, 27, 28, 29, 30, 31, 32, 33, 34, 35, & 36)
Part # 41021242



BRADLEY NAVIGATOR – STANDARD TMV80 MODEL S59-2080

ITEM	DESCRIPTION	ITEM	DESCRIPTION
1	Valve body	33	Washer
2	O-ring	34	Nut
3	Liner	35	Seat
4	Washer	36	O-ring
5	Screw	37	Nameplate
6	Spring	38	Brass Pipe, 3/4" IPS
7	Overheat spring chamber		
8	Spring		
9	Washer		
11	Piston		
13	Overheat nut		
15	Thermostat		
16	Push rod		
17	O-ring		
18	O-ring		
19	O-ring		
20	Mixing valve cap		
21	O-ring		
22	Control cap		
23	Set screw		
24	Screw		
25	Cap		
26	O-ring		
27	Stem		
28	O-ring		
29	Strainer		
30	Spring		
31	Holder (for Seal)		
32	Seal		

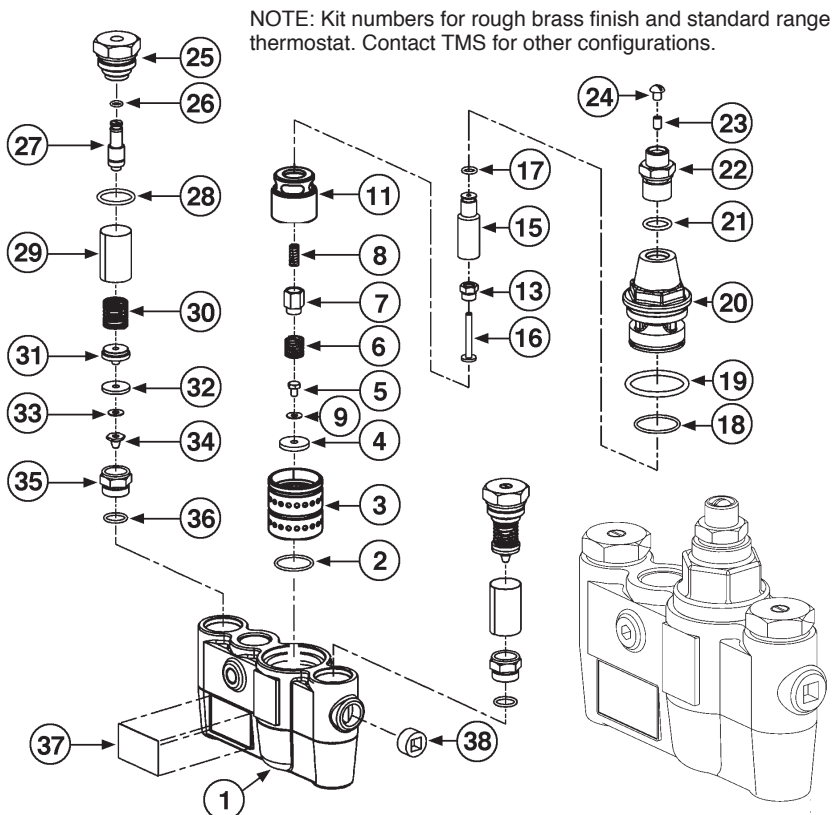
REPAIR KITS

Piston & Liner Kit (includes 2, 3, 4, 5, 6, 7, 8, 9, 11, & 13)
Part # 41021243

O-ring & Seal Kit (includes 2, 4, 9, 17, 18, 19, & 21 and 2 each of 26, 28, 32, 33, & 36)
Part # 41021244

Thermostat Kit (includes 15, 17, & 21)
Part # 41021241

Check/Stop Kit (includes 2 each of 25, 26, 27, 28, 29, 30, 31, 32, 33, 34, 35, & 36)
Part # 41021246





TOTAL MAINTENANCE SOLUTIONS

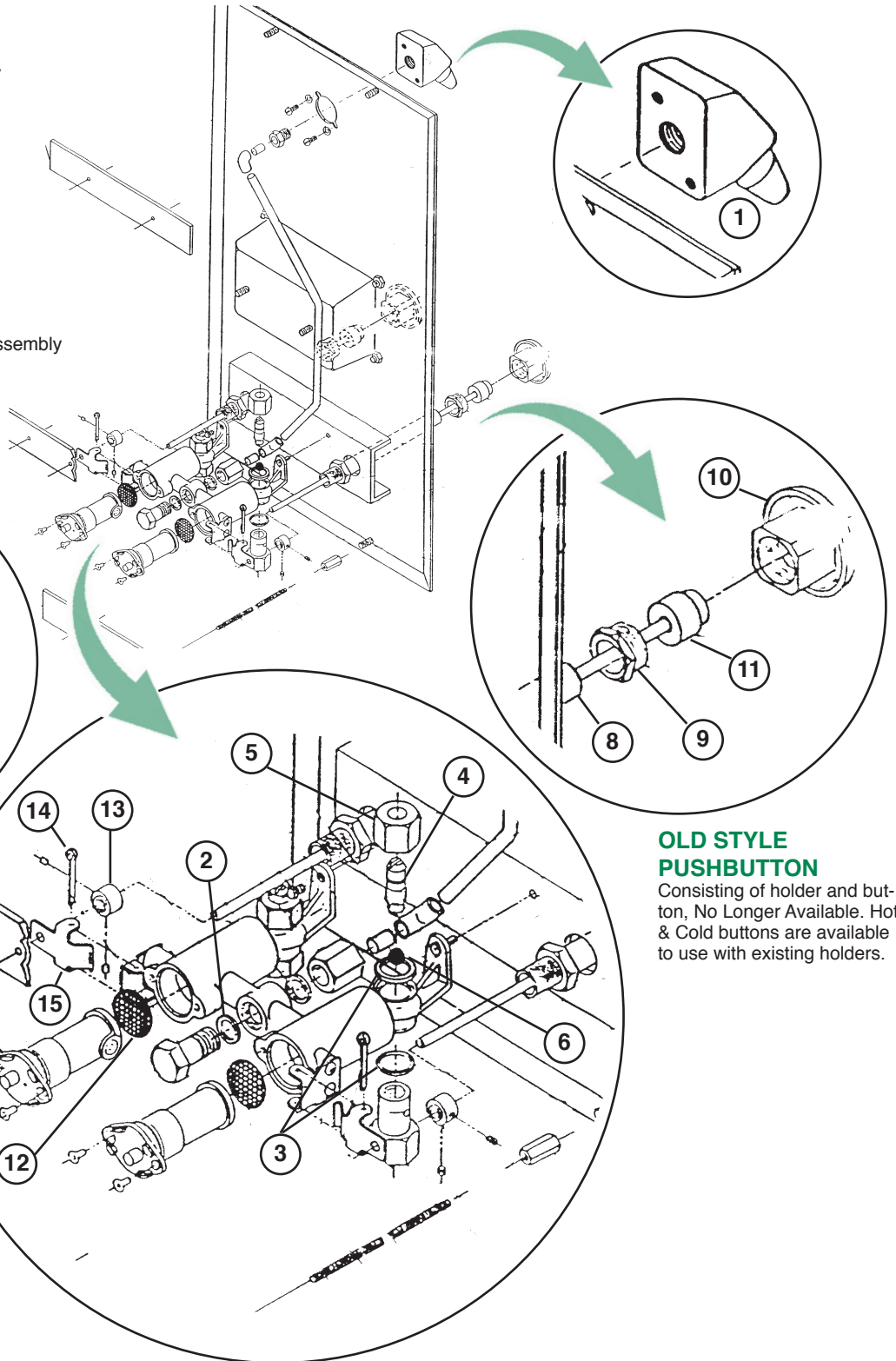
TOTAL MAINTENANCE SOLUTIONS

BRADLEY

SHOWER VALVES AND PARTS

BRADLEY 9052 WITH HOT & COLD METERING VALVE – 1012 (S67-400)

ITEM	PART #	DESCRIPTION
1		Showerhead
2	41021247	O-ring
3	41021248	O-ring
4	41021249	Stop stem assembly
5	41021250	Stop cap
6	41021171	Ball
7	41021251	Service cartridge
8		Push rod guide
9		Bushing
10	40120623	Escutcheon
11	41021252	Pushbutton – hot
	41021253	Pushbutton – cold
12	41021254	Filter disc
13	41021255	Adjusting collar
14	41021320	Cotter pin
15	41021143	Lever bracket
16	41021144	Upper valve body assembly
17	41021256	Spring
18	41021146	Plunger assembly
19	41021147	Lower valve body assembly



**OLD STYLE
PUSHBUTTON**

Consisting of holder and button, No Longer Available. Hot & Cold buttons are available to use with existing holders.

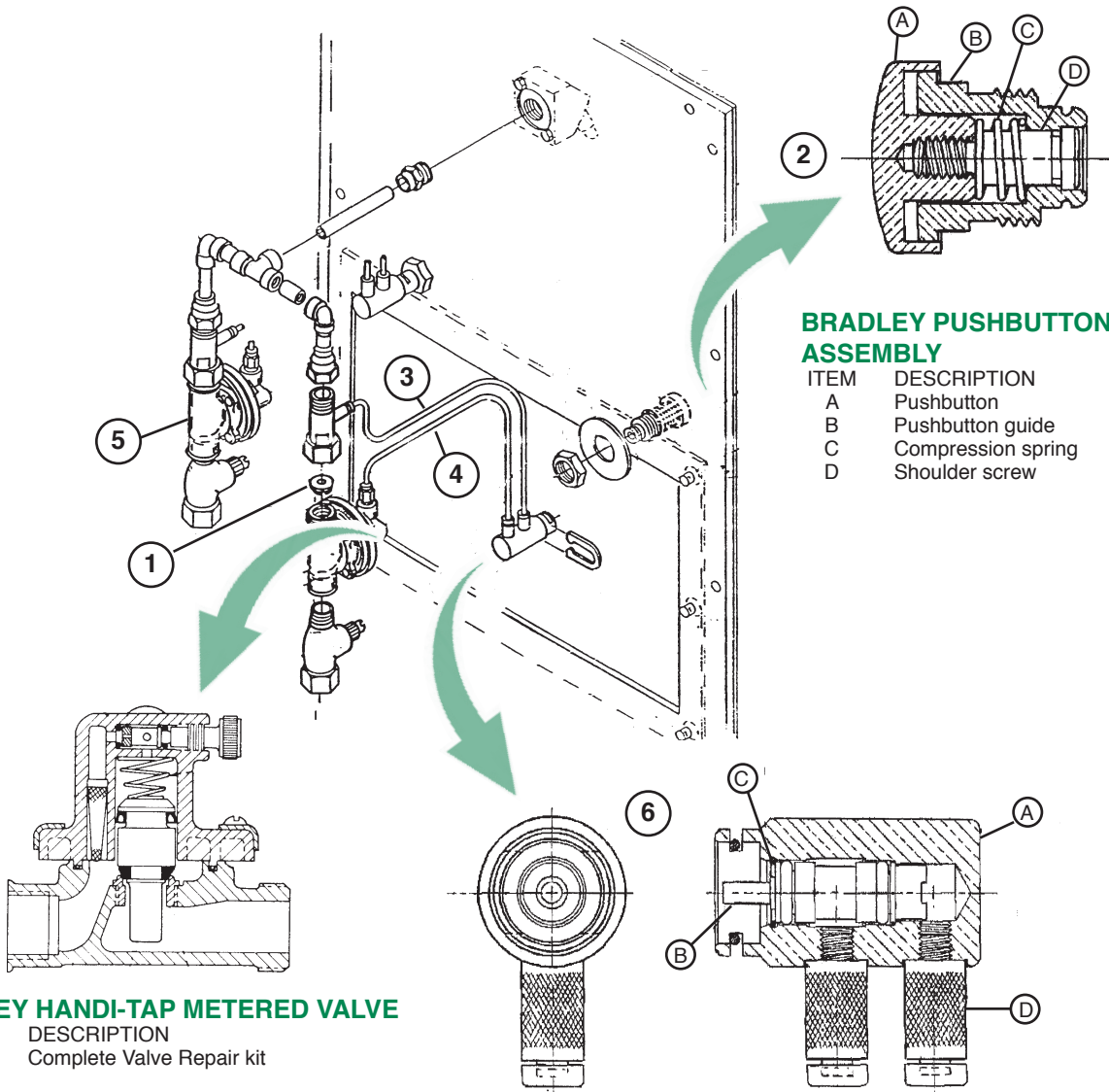


Checkstop Repair Kit
PART # 41021221

Toll Free Telephone: 877/867-8675 • Toll Free Fax: 877/867-8674
www.tms4parts.com

BRADLEY 9056 WITH HOT & COLD HANDITAP VALVE

ITEM	PART #	DESCRIPTION
1		Flow control
2	41021262	Pushbutton (see exploded view)
3	41021263	Nylon tubing (black)
4	40800587	Nylon tubing (red)
5	41021151	Remote metering valve w/ Legris fittings (See exploded view)
6	41021152	Control valve (See exploded view)



BRADLEY PUSHBUTTON ASSEMBLY

ITEM	DESCRIPTION
A	Pushbutton
B	Pushbutton guide
C	Compression spring
D	Shoulder screw

BRADLEY HANDI-TAP METERED VALVE

PART #	DESCRIPTION
41021265	Complete Valve Repair kit

BRADLEY CONTROL VALVE ASSEMBLY

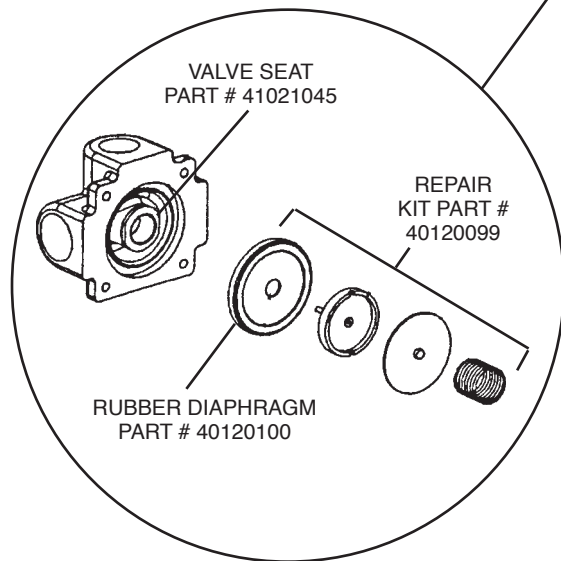
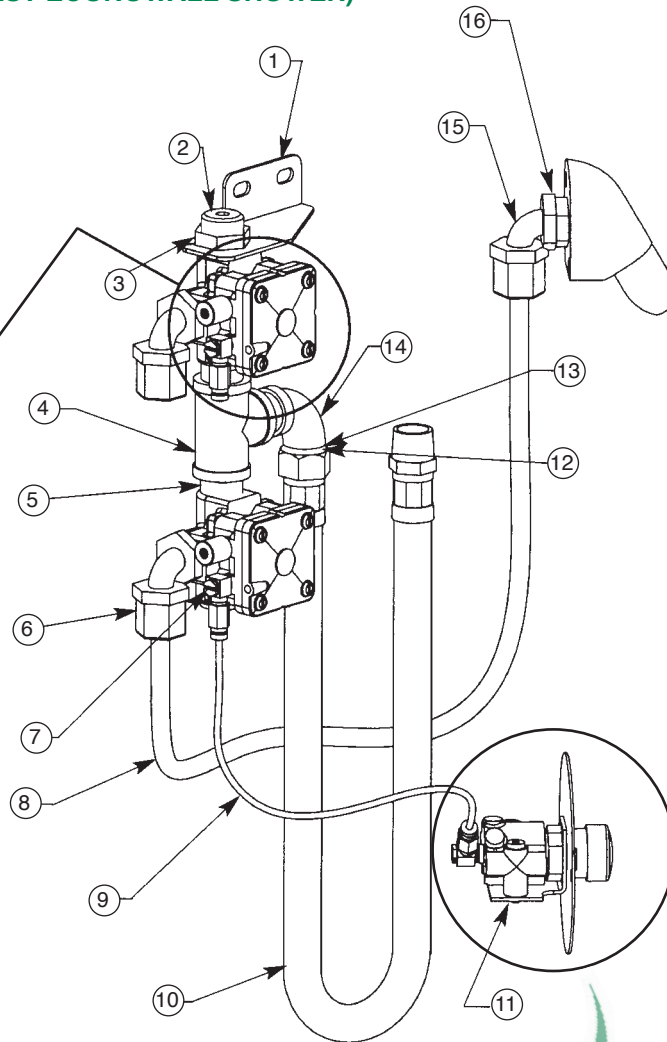
ITEM	DESCRIPTION
A	Valve housing
B	Control valve
C	Retaining ring
D	Connector



TOTAL MAINTENANCE SOLUTIONS

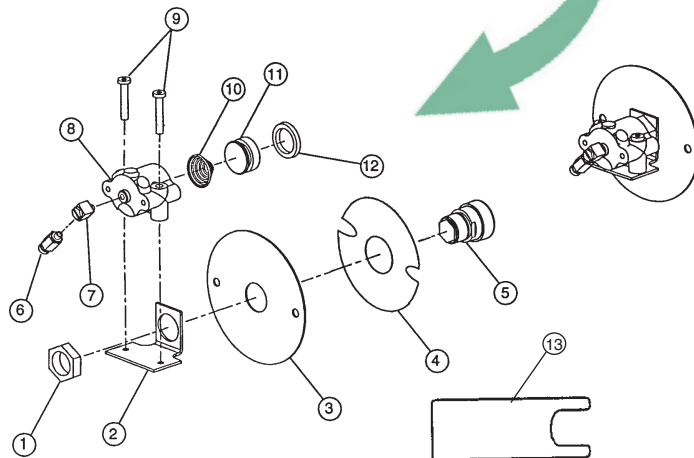
METERING AIR VALVE REPAIR PARTS (FOR 2W AST ECONOWALL SHOWER)

ITEM	PART #	DESCRIPTION
1		Mounting bracket
2		Plug
3		Nut
4		1/2" Tee
5		Nipple
6, 15		Tubing connector
7		"L" Fitting
8	41021258	3/8" Dia. tubing
9	40800587	1/8" Dia. tubing
10	41021259	Flexible hose
11		Pushbutton assembly (see below)
12	41021053	Filter washer
13		Nipple
14		1/2" Elbow
16		Reducing bushing



PUSHBUTTON AIR VALVE REPAIR PARTS

ITEM	PART #	DESCRIPTION
1		Hex Nut 1/2 NPSM
2		Actuator bracket
3		Mounting plate
4		Decal — air valve
5	41021260	Pushbutton assembly
6		1/8" Tube connector
7		Fitting — Adj. "L"
8		Molded actuator body
9		Screw
10		Spring
11		Molded piston
12		U-cup
13		Wrench
6-13	41021261	Repair kit



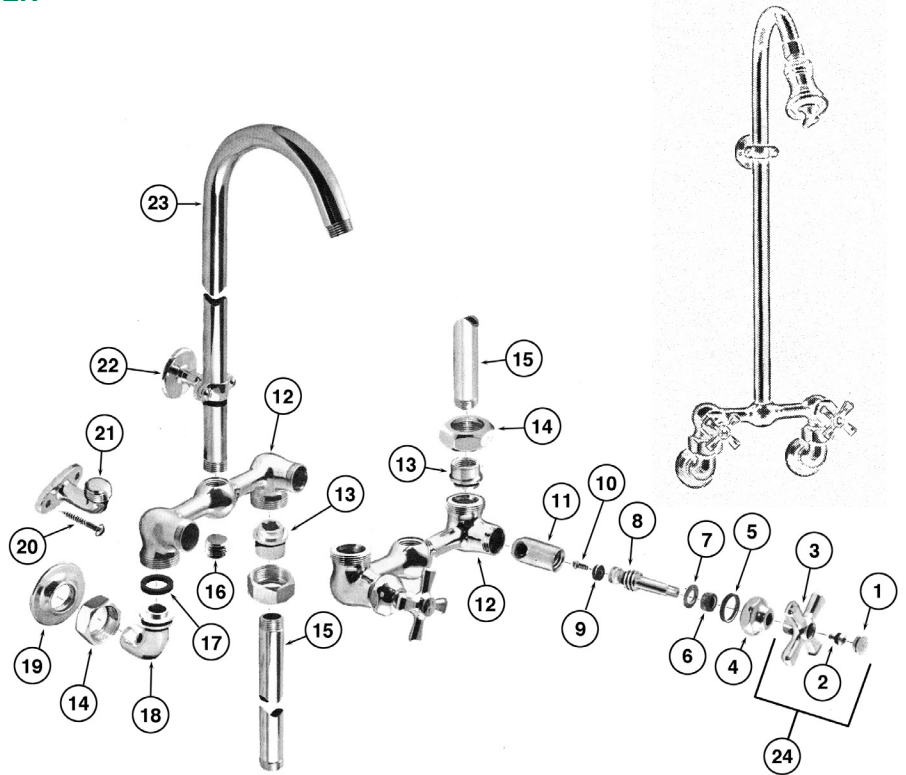
EXPOSED

SHOWER VALVES AND PARTS



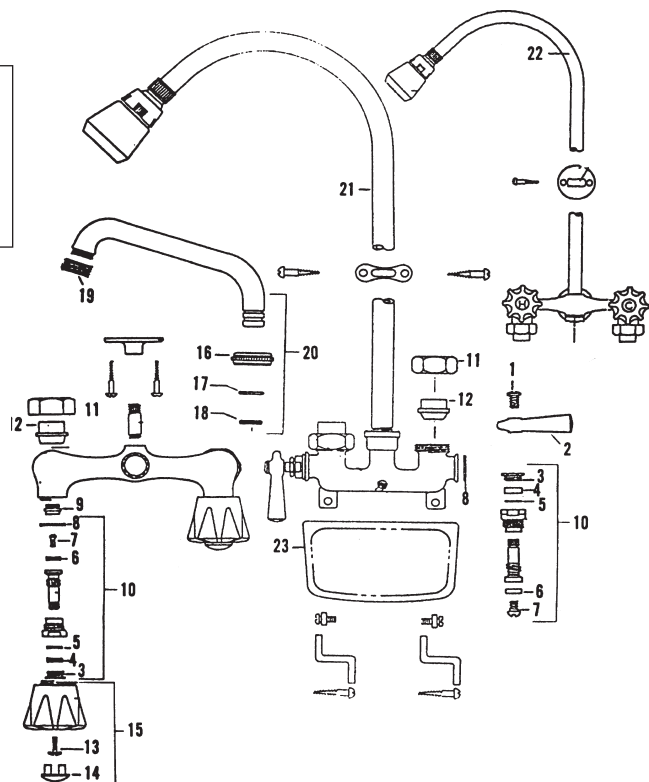
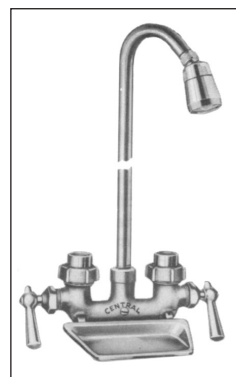
AMERICAN STANDARD EXPOSED SHOWER

ITEM	PART #	DESCRIPTION
1	40120123	Cold index
	40120124	Hot index
2	40120125	Handle screw
3		Handle - see item 24
4	40120126	Cap
5	40120127	Cap washer
6	40120128	Packing
7	40120129	Washer
8	40120076	Stem w/washer & screw
9	40110094	Seat washer
10	40120131	Seat washer screw
11	40120040	Re-Nu sleeve
12		Body
13	40120132	Coupling (N1240, N1241)
14	40120133	Coupling nut (N1240, N1241)
	40120134	Coupling nut (N1261)
15		Supply pipe
16		Plug
17	40120135	Ell washer
18		Supply ell
19		Supply ell flange
20		Wall support screw
21		Wall support
22		Wall bracket for riser
23		Gooseneck riser
24	40120136	Cold handle S/A
	40120137	Hot handle S/A



CENTRAL BRASS EXPOSED SHOWER

ITEM	PART #	DESCRIPTION
1	40120500	Handle screw
2	40120501	Hot handle
3	40120502	Cold handle
4	40120503	Packing nut
5	40120504	Packing
6	40120505	Brass washer
7	40110094	Washer
8	50100011	Screw
9	40120506	Gasket
10	40120001	Seat
	40121322	Stem assy. R.H. - hot
	40120020	Stem assy. L.H. - cold
11	40120519	Rough brass nut
12	40120520	Rough brass sleeve
13	40120521	Handle screw
14	40120522	Cold and hot index
15	40120523	Hot handle assy.
	40120138	Cold handle assy.
16	40120139	Spout nut
17	40120140	Snap ring
18	40950025	Spout o-ring
19	40120141	Hose adapter
20	40120142	6" R.B. tube spout
21	40120143	Galvanized riser less head
22	40120144	C.P. brass riser less head
23	40120145	Soap dish





TOTAL MAINTENANCE SOLUTIONS

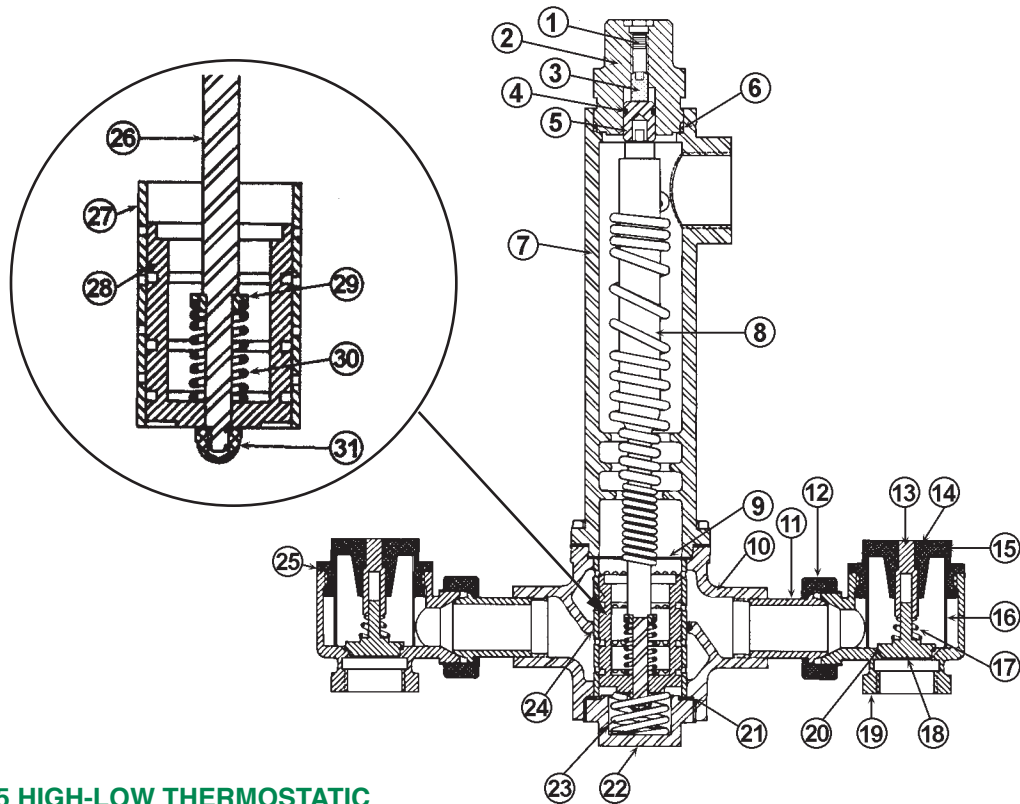
TOTAL MAINTENANCE SOLUTIONS

LAWLER

SHOWER VALVES AND PARTS

LAWLER 802 & 805 HIGH-LOW THERMOSTATIC MIXING VALVE

ITEM	DESCRIPTION
1	Screw
2	Bonnet
3	Adjusting screw
4	Pusher o-ring
5	Pusher
6	Bonnet gasket
7	Dome
8	Thermostat
9	Liner gasket, upper
10	Valve body
11	Tailpiece
12	Union nut
13	Stop & check stem
14	S & C o-ring
15	S & C bonnet
16	Strainer
17	S & C spring
18	Shutoff disc assembly
19	S & C body
20	Seat o-ring
21	Liner gasket, lower
22	Bottom plug
23	Valve spring
24	Liner o-ring
25	S & C gasket
26	Push rod
27	Liner
28	Plunger
29	Spring retainer
30	Relief spring
31	Acorn nut



LAWLER 802 & 805 HIGH-LOW THERMOSTATIC MIXING VALVE REPAIR KITS

Model 802 Complete Repair Kit
(includes 4, 6, 8, 9, 16, 17, 20, 23, 24 and inset)
Part # 41001000

Model 802 Stop & Check Repair Kit
(includes 13, 14, 16, 17, 18 and 20)
Part # 41001001

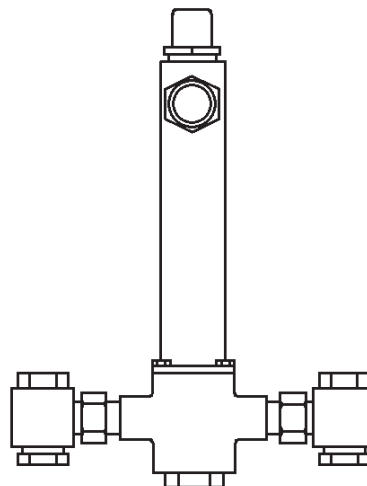
Model 802 O-ring & Gasket Kit
(includes 4, 6, 9, 14, 20, 21, 24 and 25)
Part # 41001002

Model 802 and Model 805 Thermostat Repair Kit
(includes 6 & 8)
Part # 41001003

Model 805 Complete Repair Kit
(includes 4, 6, 8, 9, 16, 17, 20, 23, 24 and inset)
Part # 41001004

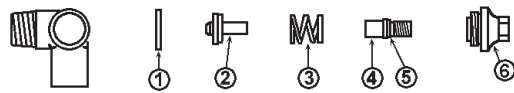
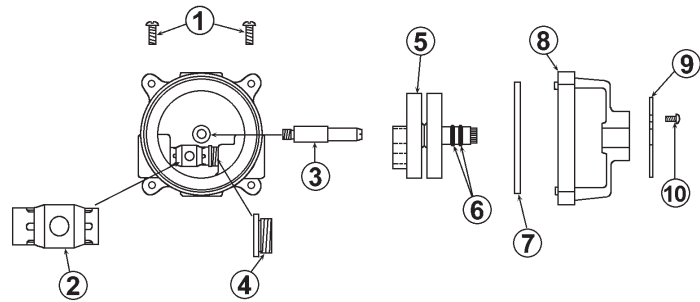
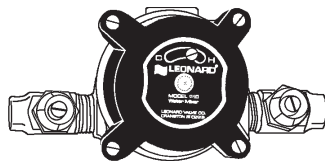
Model 805 Stop & Check Repair Kit
(includes 13, 14, 16, 17, 18 and 20)
Part # 41001005

Model 805 O-ring & Gasket Kit
(includes 4, 6, 9, 14, 20, 21, 24 and 25)
Part # 41001006



LEONARD 210 MIXING VALVE

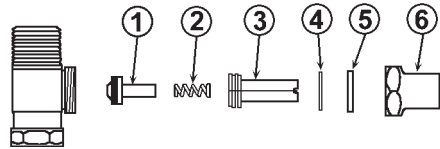
ITEM	DESCRIPTION
1	Cover screw
2	Port sleeve assembly
3	Base stud
4	Port sleeve nut
5	Thermostat group
6	Stem o-ring
7	Cover gasket
8	Cover
9	Dial plate
10	Plate screw



LEONARD 210 ANGLE CHECKSTOP KIT 4/LVC

ITEM	DESCRIPTION
1	Check bonnet packing
2	Lower stem w/ packing
3	Check spring
4	Upper check stem (not included in kit)
5	O-ring
6	Check bonnet (not included in kit)

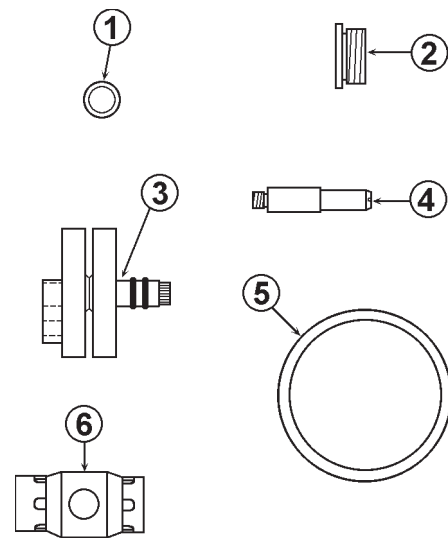
Part # 41001007



LEONARD 210 STRAIGHT CHECKSTOP KIT "B"

ITEM	DESCRIPTION
1	Lower stem and packing
2	Spring
3	Upper stem
4	Washer
5	Packing
6	Bonnet nut

Part # 41001008



LEONARD R/210 REPAIR KIT

ITEM	DESCRIPTION
1	Stem o-ring
2	Port sleeve nut
3	Thermostat group
4	Base stud
5	Cover gasket
6	Port sleeve assembly

Part # 41001009

TROUBLESHOOTING INSTRUCTIONS

PACKING & GASKETS

Problem	Parts Required
Leak at pointer rod.	
Leak between valve cover and base.	Cover gasket & o-ring

PORT SLEEVE ASSEMBLY

Problem	Parts Required
Valve delivers either all hot or all cold water, or will not mix consistently.	Port sleeve assembly or Rebuilding Kit R/210

THERMOSTAT GROUP

Problem	Parts Required
After cleaning or replacing port sleeve assembly, valve will not hold temperature.	Thermostat group or Rebuilding kit R/210

CHECKSTOPS

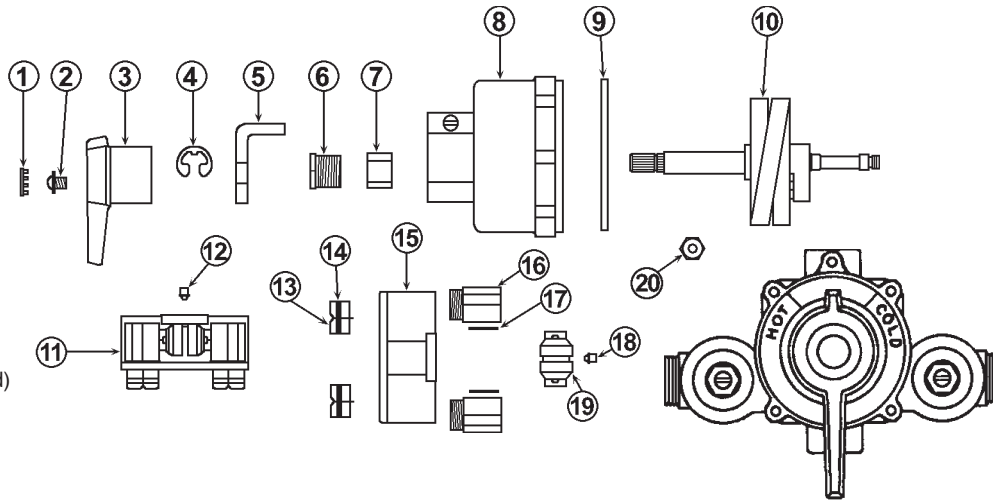
Problem	Parts Required
Hot water bypass into cold line.	Kit 4LVC (F checkstops)
Supplies cannot be shut off completely.	Kit B (SB, TB checkstops)
Leak at checkstop bonnet.	



TOTAL MAINTENANCE SOLUTIONS

LEONARD TM-15/20

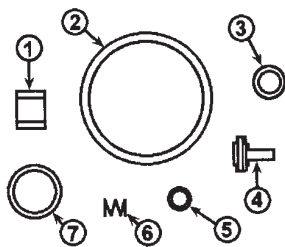
ITEM	DESCRIPTION
1	Snap cap
2	Pointer screw w/ washer
3	Pointer
4	Retaining ring
5	Stop
6	Gland nut
7	Gland packing (2 required)
8	Cover
9	Cover gasket
10	Thermostat group
11	Bridge assembly
12	Driving stud
13	PS holder nut (2 required)
14	PS holder nut o-ring (2 required)
15	Bridge
16	PS holder (2 required)
17	PS packing (2 required)
18	Driving stud
19	Port sleeve assembly
20	Pointer rod nut



TOTAL MAINTENANCE SOLUTIONS

LEONARD

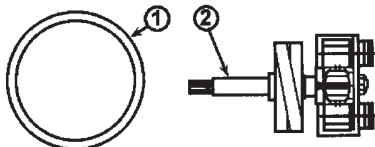
SHOWER VALVES AND PARTS



LEONARD PACKING & GASKET KIT 1/20

ITEM	DESCRIPTION
1	Gland packing (2 each)
2	Cover gasket
3	Holder nut o-ring (2 each)
4	Lower stem & packing (2 each)
5	O-ring (2 each)
6	Spring (2 each)
7	Bonnet packing (2 each)

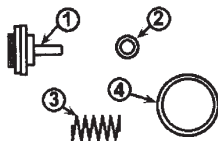
Part # 41001010



LEONARD REBUILDING KIT R/20

ITEM	DESCRIPTION
1	Cover gasket
2	Thermostatic control assembly

Part # 41001011



LEONARD REBUILDING KIT 4/20 (INCLUDES 2 EACH)

ITEM	DESCRIPTION
1	Lower stem & packing
2	Stem o-ring
3	Spring
4	Bonnet packing

Part # 41001012

TROUBLESHOOTING INSTRUCTIONS

PACKING & GASKETS

Problem
Leak at pointer rod.
Leak between valve cover and base.

Parts Required
Kit 1/20

PORT SLEEVE ASSEMBLY

Problem
Valve delivers either all hot or all cold water, or will not mix consistently.

Parts Required
Kit R/20 (Rebuilding Kit)
or Bridge assembly

THERMOSTAT GROUP

Problem
After cleaning or replacing port sleeve assembly, valve will not hold temperature.

Parts Required
Kit R/20 (Rebuilding Kit)
or Thermostat Group

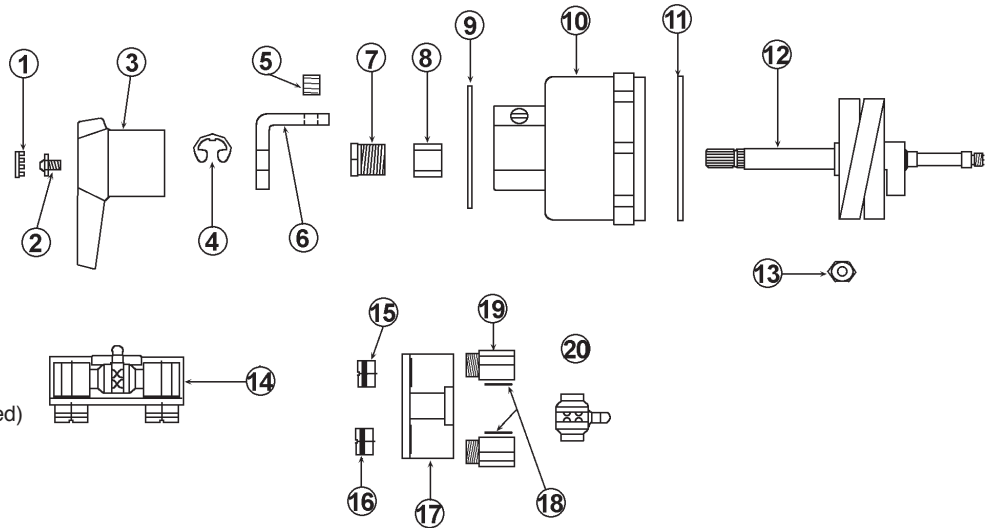
CHECKSTOPS

Problem
Hot water bypass into cold line.
Supplies cannot be shut off completely.
Leak at checkstop bonnet.

Parts Required
Kit 4/20

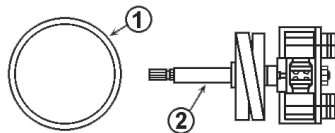
LEONARD TM-28

ITEM	DESCRIPTION
1	Snap cap
2	Pointer screw w/ washer
3	Pointer
4	Retaining ring
5	Stop screw
6	Stop
7	Gland nut
8	Gland packing
9	Dial plate
10	Cover
11	Cover gasket
12	Thermostat group
13	Pointer rod nut
14	Bridge assembly
15	PS holder nut (2 required)
16	Holder nut o-ring (2 required)
17	Bridge
18	PS packing (2 required)
19	PS holder (2 required)
20	Port sleeve assembly



LEONARD TM-28 REPAIR KIT R/28 REBUILDING KIT

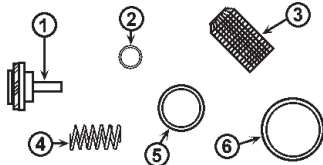
ITEM	DESCRIPTION
1	Cover gasket
2	Thermostatic control assembly



Part # 41001247

LEONARD TM-28 REPAIR KIT 2/25 CHECKSTOP KIT (INCLUDES 2 EACH)

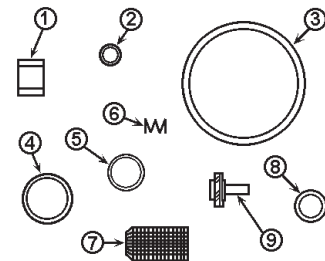
ITEM	DESCRIPTION
1	Lower stem & packing
2	Upper stem o-ring
3	Screen
4	Spring
5	Cap packing
6	Bonnet packing



Part # 41001014

LEONARD TM-28 REPAIR KIT 1/25 PACKINGS & GASKETS

ITEM	DESCRIPTION
1	Gland packing*
2	O-ring*
3	Cover gasket
4	Bonnet packing*
5	Cap packing*
6	Check spring*
7	Screen*
8	O-ring*
9	Lower stem*



*includes 2 each

Part # 41001015

TROUBLESHOOTING INSTRUCTIONS

PACKING & GASKETS

Problem	Parts Required
Leak at pointer rod.	
Leak between valve cover and base.	Kit 1/25

PORT SLEEVE ASSEMBLY

Problem	Parts Required
Valve delivers either all hot or all cold water, or will not mix consistently.	Kit R/28 (Rebuilding kit) or bridge assembly

THERMOSTAT GROUP

Problem	Parts Required
After cleaning or replacing port sleeve assembly, valve will not hold temperature.	Kit R/28 (rebuilding kit) or thermostat group

CHECKSTOPS

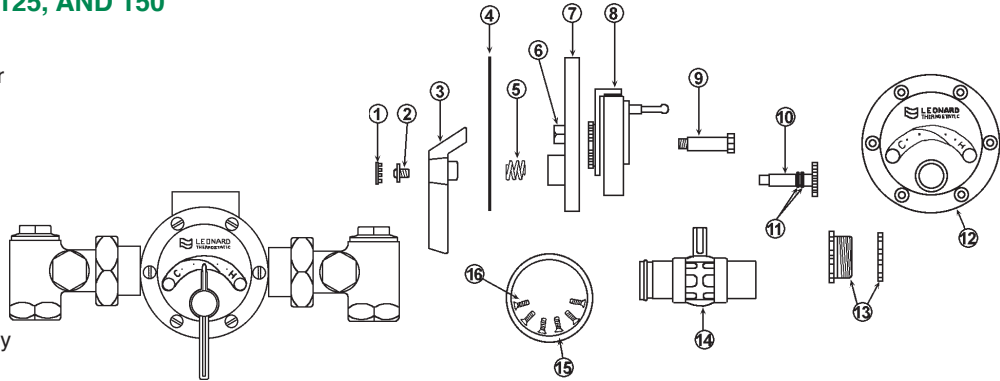
Problem	Parts Required
Hot water bypass into cold line. Supplies cannot be shut off completely. Leak at checkstop bonnet.	Kit 2/25 (checkstop kit)



TOTAL MAINTENANCE SOLUTIONS

LEONARD TM-30, 50, 80, 125, AND 150

ITEM	DESCRIPTION
1	Snap cap
2	Pointer screw w/ washer
3	Pointer
4	Dial plate
5	Friction spring
6	Stop
7	Cover
8	Thermostat group
9	Coil sleeve stud
10	Pointer rod
11	O-ring (2 required)
12	Dial plate
13	Port sleeve nut assembly
14	Port sleeve assembly
15	Flange packing
16	Cover screws

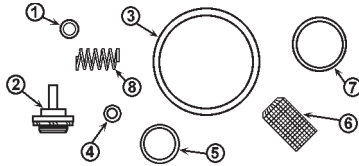


TOTAL MAINTENANCE SOLUTIONS

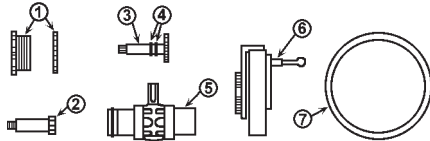
LEONARD

SHOWER VALVES AND PARTS

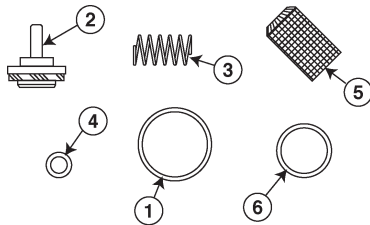
LEONARD PACKING & GASKET KIT 1



ITEM	DESCRIPTION	
1	O-Ring	Items 1-8 for TM-30, TM-50 or TM-80
2	Lower stem & packing	Part # 41001016
3	Flange packing	
4	Upper stem o-ring	Items 1-8 for TM-125 or TM-150
5	Cap packing	Part # 41001017
6	Screen	
7	Bonnet packing	



ITEM	DESCRIPTION	
1	Port sleeve nut assembly	Items 1-7 for TM-30
2	Coil sleeve stud	Part # 41001018
3	Pointer rod	Items 1-7 for TM-50 or TM 80
4	Pointer rod o-rings	Part # 41001019
5	Port sleeve assembly	
6	Thermostat group	Items 1-8 for TM-125 or TM-150
7	Flange packing	Part # 41001020



ITEM	DESCRIPTION	
1	Bonnet packing	Items 1-6 for TM-30, TM-50 or TM-80
2	Lower stem & packing	Part # 41001021
3	Spring	Items 1-6 for TM-125 or TM-150
4	Stem o-ring	Part # 41001022
5	Screen	
6	Cap packing	

TROUBLESHOOTING INSTRUCTIONS

PACKING & GASKETS

Problem

Leak at pointer rod.
Leak between valve cover and base.

Parts Required
Kit 1

THERMOSTAT GROUP

Problem

After cleaning or replacing port sleeve assembly, valve will not hold temperature.

Parts Required
Thermostat group or Rebuilding Kit R

PORT SLEEVE ASSEMBLY

Problem

Valve delivers either all hot or all cold water, or will not mix consistently.

Parts Required
Port sleeve assembly or Rebuilding Kit R

CHECKSTOPS

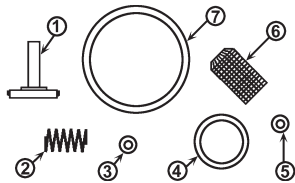
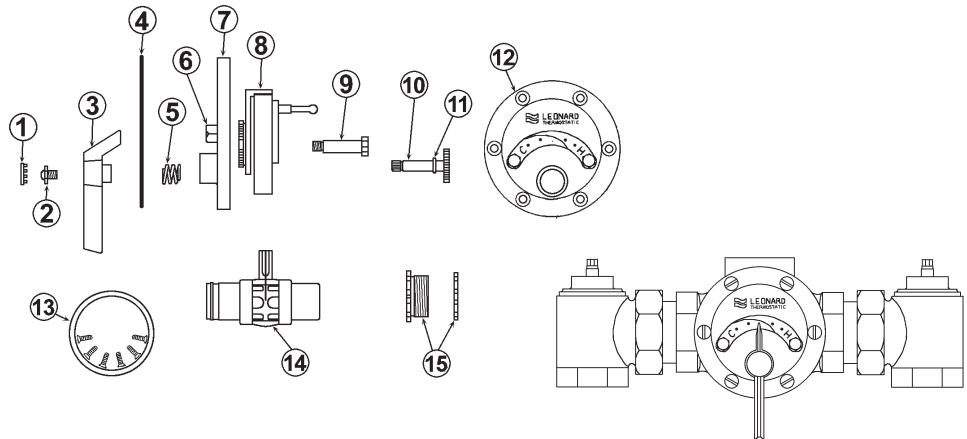
Problem

Hot water bypass into cold line.
Supplies cannot be shut off completely.
Leak at checkstop bonnet.

Parts Required
Kit 2

LEONARD TM-200 (NEW STYLE) & TMS-200

- | ITEM | DESCRIPTION |
|------|--------------------------|
| 1 | Snap cap |
| 2 | Pointer screw w/ washer |
| 3 | Pointer |
| 4 | Dial plate |
| 5 | Friction spring |
| 6 | Stop |
| 7 | Cover |
| 8 | Thermostat group |
| 9 | Coil sleeve stud |
| 10 | Pointer rod |
| 11 | O-ring |
| 12 | Dial plate |
| 13 | Flange packing |
| 14 | Port sleeve assembly |
| 15 | Port sleeve nut assembly |

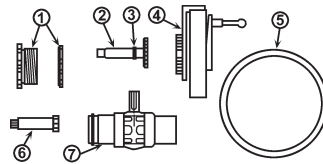


LEONARD 1/200C AND 1/200CS PACKINGS & GASKETS REPAIR KIT

- | ITEM | DESCRIPTION |
|------|-----------------------|
| 1 | Lower stem & packing* |
| 2 | Spring* |
| 3 | O-ring (4) |
| 4 | Bonnet |
| 5 | O-ring |
| 6 | Screen* |
| 7 | Flange packing |

* includes 2 each

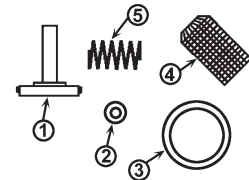
TM-200 Repair Kit Part # 41001023
TMS-200 Repair Kit Part # 41001024



LEONARD R/200 AND R/200S REBUILDING KIT

- | ITEM | DESCRIPTION |
|------|--------------------------|
| 1 | Port sleeve nut assembly |
| 2 | Pointer rod |
| 3 | O-ring |
| 4 | Thermostat group |
| 5 | Flange packing |
| 6 | Coil sleeve stud |
| 7 | Port sleeve assembly |

TM-200 Repair Kit Part # 41001025
TMS-200 Repair Kit Part # 41001026



LEONARD 2/200C AND 2/200CS CHECKSTOP KIT

- | ITEM | DESCRIPTION |
|------|-----------------------|
| 1 | Lower stem & packing* |
| 2 | Upper stem o-ring (4) |
| 3 | Packing/washer |
| 4 | Screen |
| 5 | Spring |

TM-200 Repair Kit Part # 41001027
TMS-200 Repair Kit Part # 41001028

TROUBLESHOOTING INSTRUCTIONS

PACKING & GASKETS

Problem	Parts Required
Leak at stem.	Kit 1/200C or
Leak between valve cover and base.	Kit 1/200CS

PORT SLEEVE ASSEMBLY

Problem	Parts Required
Valve delivers either all hot or all cold water, or will not mix consistently.	Kit R/200 or Kit R/200S

THERMOSTAT GROUP

Problem	Parts Required
After cleaning or replacing port sleeve assembly, valve performance is not consistent.	Kit R/200 or Kit R/200S

CHECKSTOPS

Problem	Parts Required
Hot water bypass into cold line (or cold into hot).	Kit 2/200C or 2/200CS
Supplies cannot be shut off completely.	
Leak at checkstop bonnets.	

Provide valve serial number when ordering parts for either valve!



TOTAL MAINTENANCE SOLUTIONS

TOTAL MAINTENANCE SOLUTIONS

POWERS

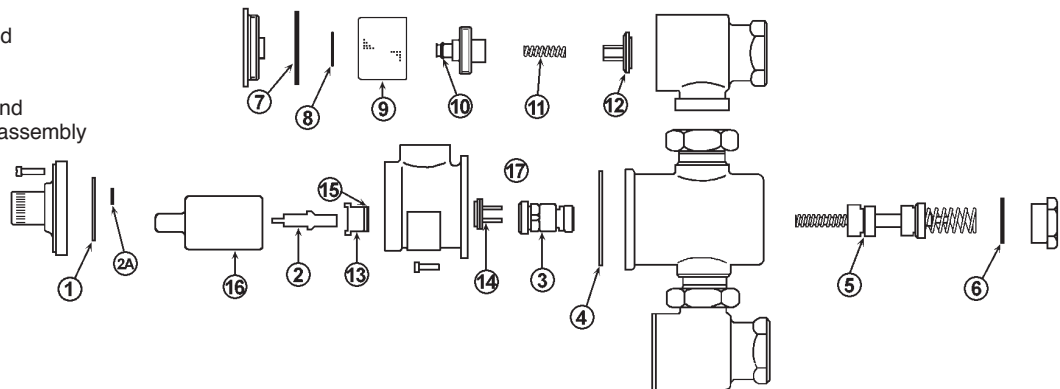
SHOWER VALVES AND PARTS

REPAIR KITS FOR HYDROGUARD 430 SERIES VALVES

PART DESCRIPTION	REPAIR KIT INCLUDES	MODEL 431	MODEL 432	MODEL 433	MODEL 434
Thermal actuator	1, 2, 4, 13 & 15	41001029	41001035	41001039	41001044
Strainer replacement	7, 8, 9, & 10	41001030	41001030	41001030	41001030
Checkstop replacement	7, 8, 10, 11, & 12	41001234	41001234	41001040	41001040
Gasket & Disc replacement	1, 2A, 4, 6, 7, 8, 10, & 12	41001032	41001036	41001041	41001045
Mixing valve replacement	3, 4, 5, & 6	41001033	41001037	41001042	41001235
Upgrade kits for older valves	1, 2, 2A, 4, 13-17	41001034	41001038	41001043	41001236
Shipped prior to 1/1/2001					

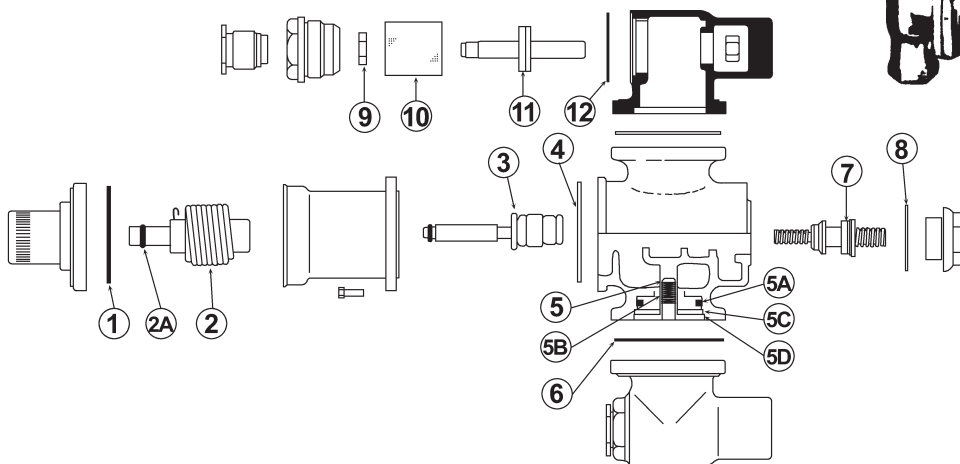
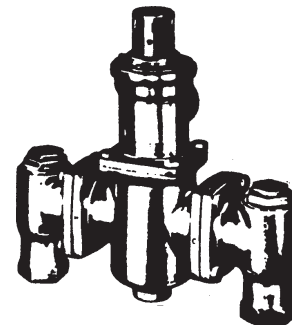


- | | |
|------|-----------------------------------------------------|
| ITEM | DESCRIPTION |
| 1 | Gasket |
| 2 | Actuator |
| 2A | O-ring |
| 3 | Hot water poppet and overload assembly |
| 4 | O-ring |
| 5 | Cold water poppet and motor failure spring assembly |
| 6 | O-ring |
| 7 | O-ring |
| 8 | Gasket |
| 9 | Screen |
| 10 | O-ring |
| 11 | Spring |
| 12 | Poppet assembly |



REPAIR KITS FOR HYDROGUARD 430 "N" SERIES VALVES

KIT	MODEL N-45	MODEL N-125
Upgrade Kit	41001038	41001236
See 430 Series drawing: includes items 1, 2, 2A, 4, 13-17		



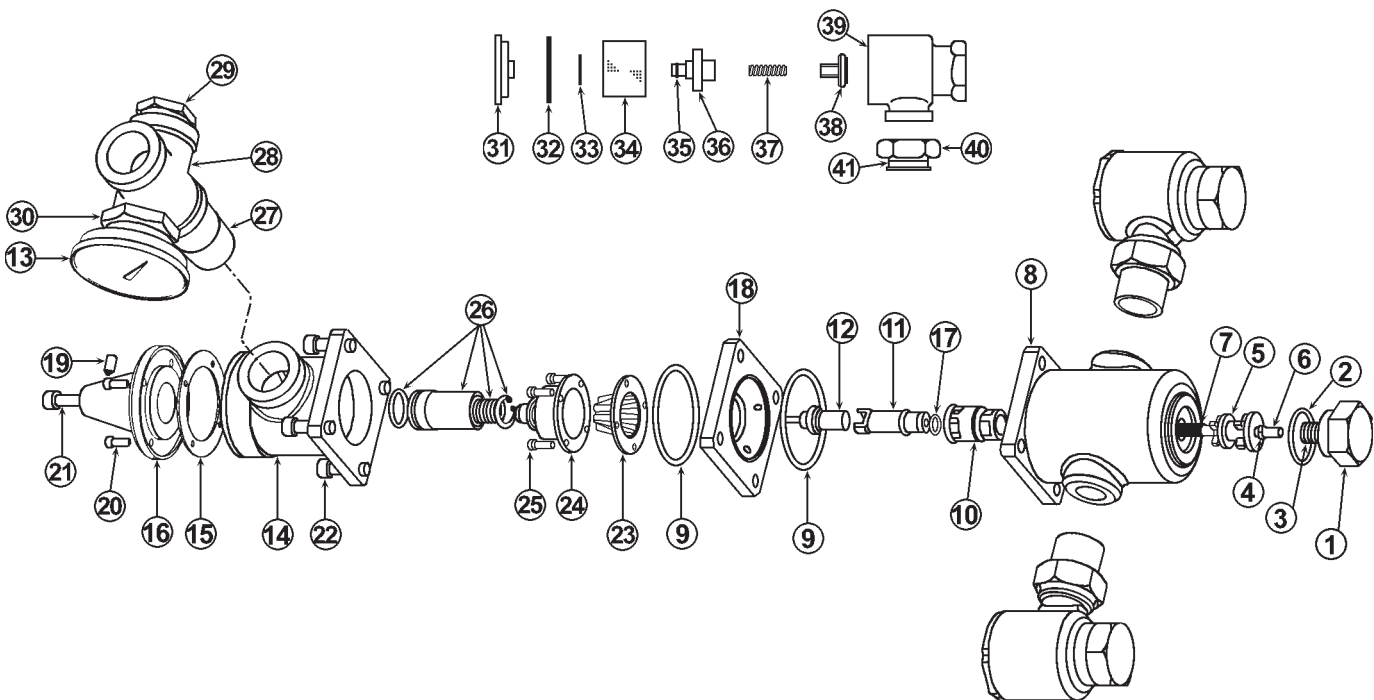
Toll Free Telephone: 877/867-8675 • Toll Free Fax: 877/867-8674
www.tms4parts.com

POWERS HYDROGUARD 1432 AND 1434

ITEM	DESCRIPTION	ITEM	DESCRIPTION
1	Body cap	22	Bolts
2	O-ring	23	Expandable restrictor
3	Return spring	24	Retainer
4	Nut	25	Screws (4)
5	Cold water poppet	26	Overload assembly
6	Cold water stem	27	Pipe/nipple
7	Motor failure spring	28	Cross
8	Lower body	29	Hex plug
9	O-ring	30	Hex bushing
10	Hot water poppet	31	Bonnet
11	Motor adapter	32	O-ring
12	Thermal motor	33	Gasket
13	Dial thermometer	34	Screen
14	Motor housing	35	O-ring
15	Motor housing gasket	36	Stem
16	Motor housing cap	37	Spring
17	O-ring	38	Poppet assembly
18	Funnel cage	39	Body
19	Set screw	40	Nut
20	Screw (4)	41	Tailpiece
21	Temp. adjustment screw		

PART DESCRIPTION	REPAIR KIT INCLUDES	MODEL 1432	MODEL 1434
Thermal actuator	12, 23	41001048	41001049
Strainer replacement	32, 33, 34, 35	41001030	41001030
Checkstop replacement	32, 33, 34, 35, 37, 38	41001234	41001040
Mixing valve replacement	3 - 7 & 10	41001037	41001235

CHECKSTOP SECTION





TOTAL MAINTENANCE SOLUTIONS

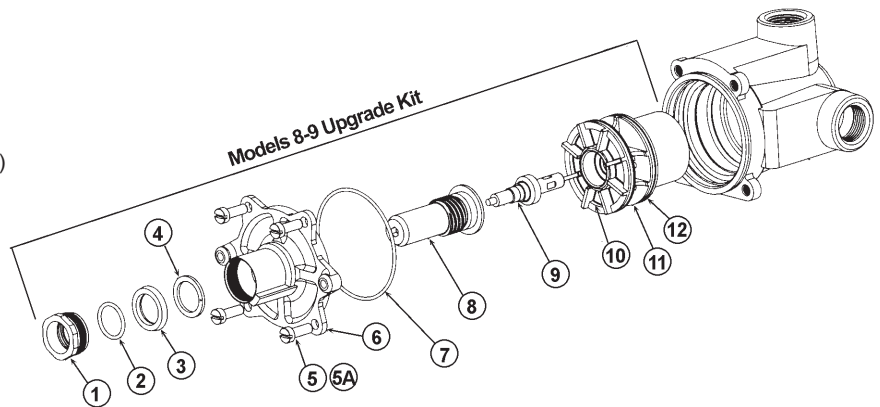
TOTAL MAINTENANCE SOLUTIONS

POWERS

SHOWER VALVES AND PARTS

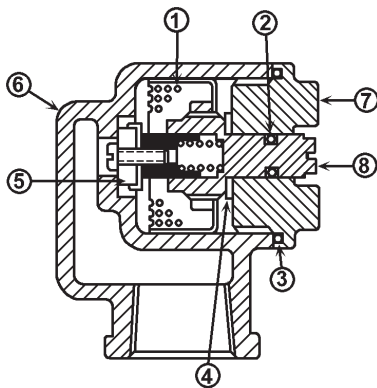
POWERS HYDROGUARD 420UTC

ITEM	PART #	DESCRIPTION
1	41001050	Packing gland
2	41001051	Stem "o-ring"
3	41001052	Huva cup
4		Packing stop o-ring
5		Screw kit (12 pcs.)
5A		Vandal resistant screw kit (12 pcs.)
6	41001053	Bonnet
7	41001054	Bonnet o-ring
8		Stem (use bonnet kit 41001053)
9	41001056	Thermal actuator
10	41001057	O-ring
11	41001058	Cartridge
12		O-ring (use bonnet kit 41001053)



Problem	Recommended Kit Type	Repair Kit #	Includes
Variable or untempered discharge temperature	Thermal Actuator	41001056	Thermal Motor & Bonnet O-ring
Water leaks at bonnet/body	Soft Parts Kit	41001237	Stem O-ring, Bonnet O-ring, & Shutoff Disc
Variable or untempered discharge temperature continues after motor replacement	Cartridge Kit	41001058	Cartridge & O-rings
	Bonnet Kit	41001053	Bonnet O-ring
	Models 8-9 Upgrade Kit	41001061	All items except body

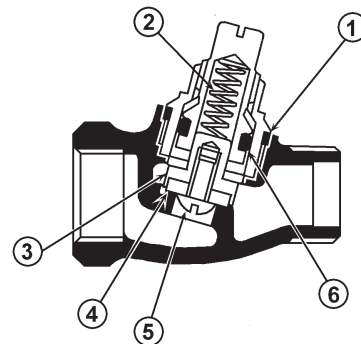
POWERS HYDROGUARD ANGLE STOP CHECK



ITEM	DESCRIPTION
1	Strainer
2	O-ring
3	O-ring/gasket
4	Washer
5	Poppet with spring
6	Body
7	Bonnet
8	Stem

Poppet Kit includes 2 each of items 1, 2, 3, 4, and 5
Part # 41001062

POWERS HYDROGUARD STRAIGHT STOP CHECK

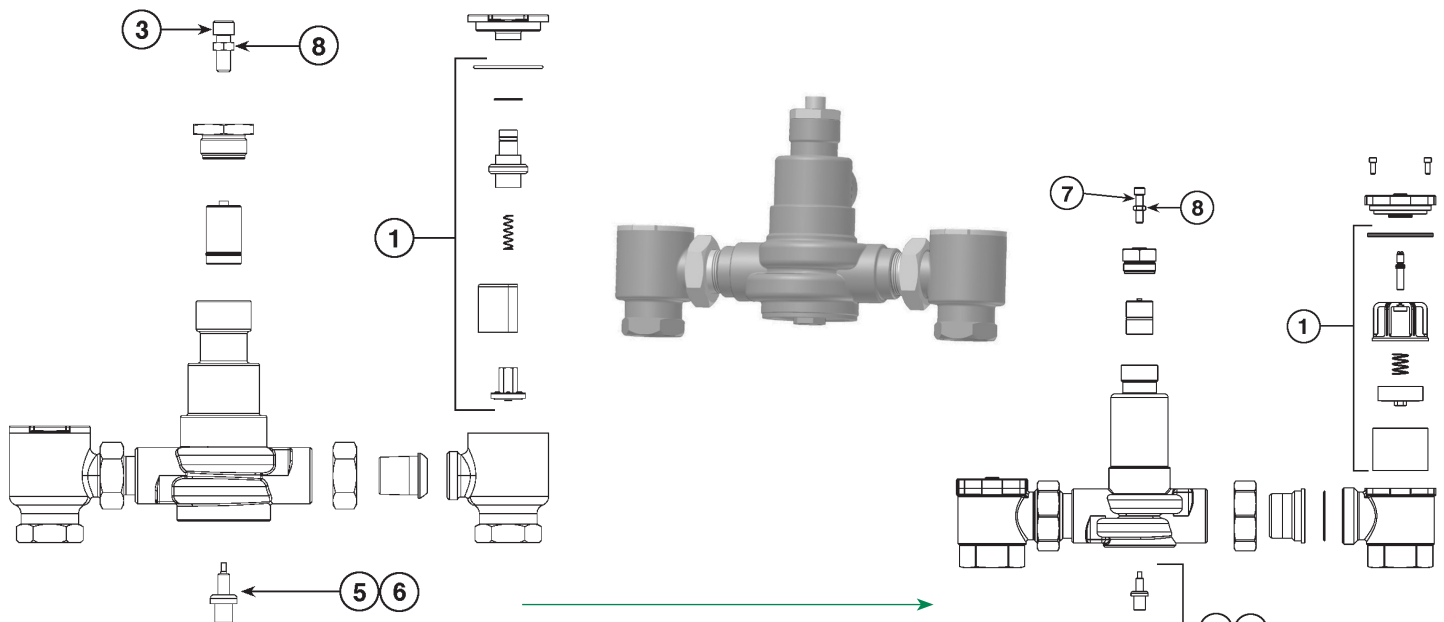


ITEM	DESCRIPTION
1	Bonnet seal ring
2	Poppet spring
3	Poppet
4	Poppet washer
5	Washer retaining screw
6	Seal ring

Check stop plunger kit includes 2 of each item
Part # 41001063

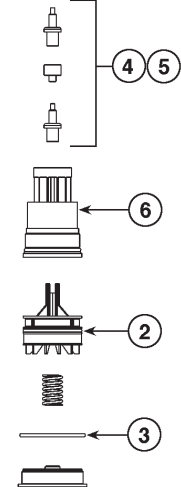
HYDROGUARD XP SERIES MM430 MASTER TEMPERING VALVES

ITEM	DESCRIPTION	PART #							
		MM431	LFMM431	MM432	LFMM432	MM433	LFMM433	MM434	LFMM434
1	Checkstop rebuild kit	40141338	40141339	40141338	40141339	40141340	40141341	40141340	40141341
2	Plunger kit	40141343	40141343	40141343	40141343	40141344	40141344	40141344	40141344
3	Adjusting screw	-	-	-	-	-	-	-	-
4	O-ring	40141345	40141345	40141345	40141345	40141346	40141346	40141346	40141346
5	Actuator – standard temperature	40141347	40141347	40141347	40141347	40141348	40141348	40141348	40141348
6	Actuator – low temperature	40141349	40141349	40141349	40141349	40141350	40141350	40141350	40141350
7	Funnel kit	40141351	40141351	40141351	40151351	40141352	40141352	40141352	40141352
8	Locknut	-	-	-	-	-	-	-	-



HYDROGUARD XP SERIES MM435 AND LFM435

ITEM	DESCRIPTION	PART #	
		MM435	LFMM435
1	Checkstop rebuild kit	40141353	40141354
2	Plunger kit	40141355	40141355
3	O-ring	40141356	40141356
4	Actuator – standard temperature	40141357	40141357
5	Actuator – low temperature	40141358	40141358
6	Funnel kit	40141359	40141359
7	Adjusting screw	-	-
8	Locknut	-	-

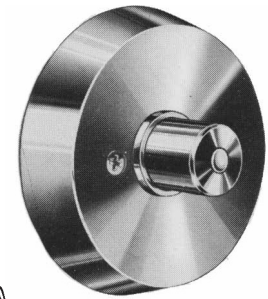
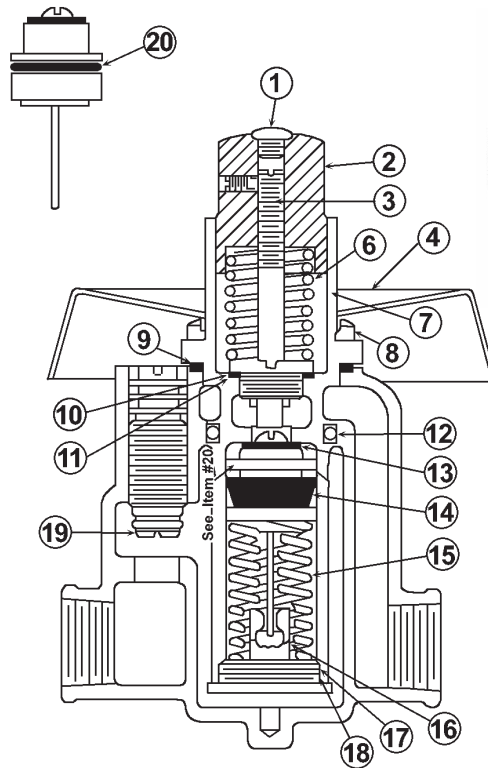




TOTAL MAINTENANCE SOLUTIONS

**SYMMONS SHOWEROFF 60 (1960 TO 1983)
AUTOMATIC SHOWER LIMITING VALVE**

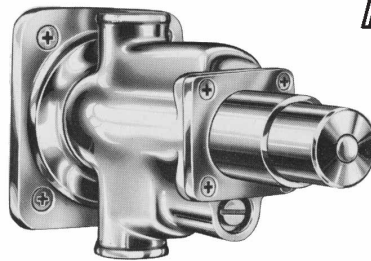
ITEM	PART #	DESCRIPTION
1	41001064	Screw
2	41001065	Knob & screw
3	41001085	Push rod
4	41001238	Escutcheon
5	41001239	Escutcheon screw (not shown)
6	41001069	Knob spring
7	41001240	Cap
8	41001071	Cap screw
9	41001241	Cap gasket
10		Guide nut w/o-ring
11		Guide nut gasket
12		Cap o-ring
13		Shut-off washer & screw
14		Piston unit (1)
15		Spring
16		Control rod sleeve (1)
17		Sleeve retainer (1)
18		Retainer washer
19	41001073	Integral stop unit
20	41001074	Piston o-ring
	41001075	Washer & gasket repair kit Includes items marked (1) plus all necessary washers & gaskets
	40150053	Complete replacement unit (cartridge)
	40150027	Cartridge after 1983



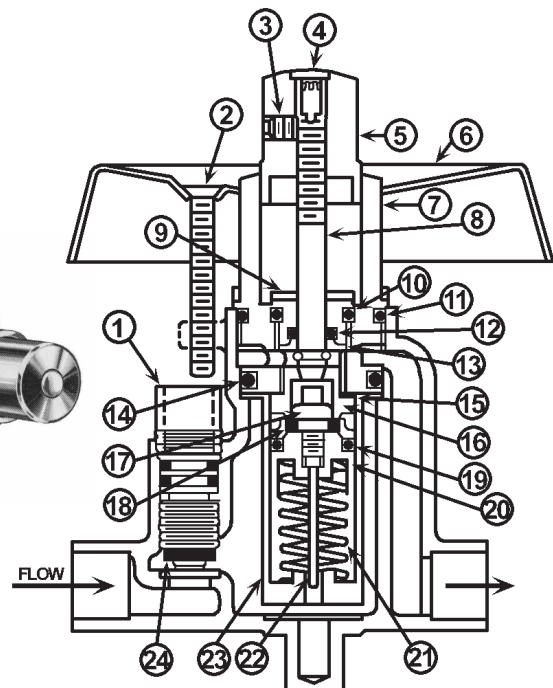
COMPOSED VALVE

**SYMMONS SHOWEROFF MODEL 80 (1983 TO DATE)
AUTOMATIC SHOWER LIMITING VALVE**

ITEM	PART #	DESCRIPTION
1	41001078	Stop retainer
2	41001079	Escutcheon screws
3	41001080	Knob set screw
4	41001081	Knob plug button
5	41001242	Knob
6	41001083	Escutcheon
7	41001084	Cap
8	41001085	Push rod w/snap ring
9	41001086	Guide nut
10	41001087	Guide nut large o-ring (1)
11	41001088	Cap large o-ring (1)
12	41001089	Guide nut small o-ring (1)
13	41001090	Guide nut washer (1)
14	41001091	Cap small o-ring (1)
15	41001180	Retainer gasket (1)
16	41001093	Retainer (1)
17	41001094	Washer screw (1)
18	41001095	Shut off washer (1)
19	41001095	Piston o-ring (1)
20	41001097	Piston (1)
21	41001098	Piston spring (1)
22	41001099	Control rod (1)
23	41001100	Cylinder (1)
24	41001101	Integral stop unit (1)
	40150027	Complete replacement unit (cartridge)
	40150056	Washer & gasket kit - items marked (1)
	41001103	Adapter plate - not shown



EXPOSED VALVE

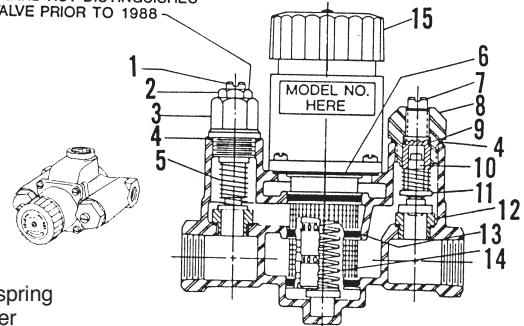


SYMMONS TEMPCONTROL THERMOSTATIC WATER CONTROLLER

ITEM	5-200 PART #	5-400 PART #	5-500 PART #	5-700 PART #	DESCRIPTION
1	N/A	N/A	N/A	N/A	Stop spindle *
2	41001104	41001105	41001106	41001107	Gland nut and packing
3	N/A	N/A	N/A	N/A	Cap *
4	41001108	41001109	41001110	41001111	Cap gasket
5	41001112	41001113	41001114	41001115	Check spindle and spring
6	41001116	41001117	41001118	41001119	Casing gasket
7	41001120	41001121	41001122	41001123	Stop spindle
8	41001124	41001125	41001126	41001127	Cap
9	N/A	N/A	N/A	N/A	Stop spindle o-ring
10	41001128	41001129	41001130	41001131	Check spindle and spring
11	41001132	41001133	41001134	41001135	Check spring retainer
12	41001243	41001137	41001138	41001139	Check seat
13	41001244	41001141	41001142	41001143	Sleeve o-rings (3 required)
14	41001144	41001145	41001146	41001147	Spring with spring saddle
15	40150029	40150030	40150031	40150032	Cartridge unit
*	41001152	41001153	41001154	41001155	Complete spindle assembly

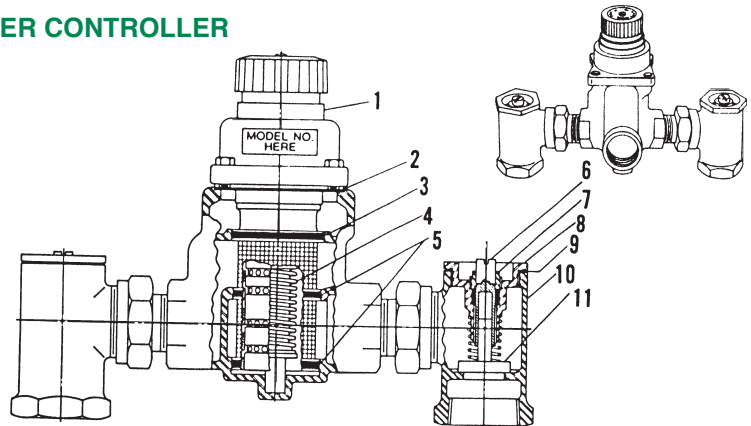
* Repair kit contains items 7, 8, 9, 10 & 11

GLAND NUT DISTINGUISHES VALVE PRIOR TO 1988



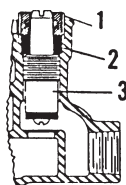
SYMMONS TEMPCONTROL THERMOSTATIC WATER CONTROLLER

ITEM	5-900 PART #	5-1000 PART #	DESCRIPTION
1	41001156	41001157	Cartridge unit
2	41001158	41001159	Casing gasket
3	41001160	41001161	Sleeve large o-ring
4	41001162	41001163	Double spring w/spring saddle
5	41001164	41001165	Sleeve small o-rings
6	41001166	41001167	Stop spindle
7	41001168	41001169	Gland nut & packing
8	41001170	41001171	Cap
9	41001172	41001173	Cap gasket
10	41001174	41001175	Check stop body w/ integral seat
11	41001176	41001177	Check spindle & spring



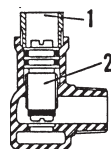
SYMMONS SAFETYMIX, SAFETY MIX'ETTE' & TEMPTROL STOP PARTS SAFETYMIX - PRIOR TO 1956

ITEM	PART #	DESCRIPTION
1	41001178	Packing nut
2	41001179	Packing
3	41001180	Spindle assembly



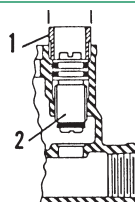
STOP PARTS SAFETYMIX'ETTE' & TEMPTROL 1965 TO 1986 - OBSOLETE/NLA

ITEM	PART #	DESCRIPTION
1	41001181	Plaster shield for 5/8"
	41001182	Plaster shield for 11/16"
2	41001183	Spindle assembly for 5/8"
	41001184	Spindle assembly for 11/16"



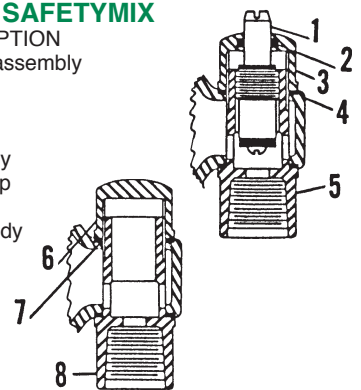
STOP PARTS SAFETYMIX - 1956 TO DATE SAFETYMIX'ETTE' 1964 TO 1965

ITEM	PART #	DESCRIPTION
1	41001185	Plaster shield for 5/8"
	41001186	Plaster shield for 11/16"
2	41001187	Spindle assembly for 5/8"
	41001188	Spindle assembly for 11/16"



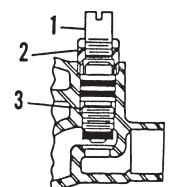
STOP PARTS EXPOSED SAFETYMIX

ITEM	PART #	DESCRIPTION
1	41001189	Spindle assembly
2	41001190	O-Ring
3	41001191	Cap
4	41001192	Gasket
5	41001193	Stop body
6	41001194	Union cap
7	41001192	Gasket
8	41001195	Union body



STOP PARTS TEMPTROL VALVE W/ SWEAT CONNECTION

ITEM	PART #	DESCRIPTION
1	41001196	Escutcheon screw retainer
2	41001197	Plaster shield
3	41001198	Spindle assembly

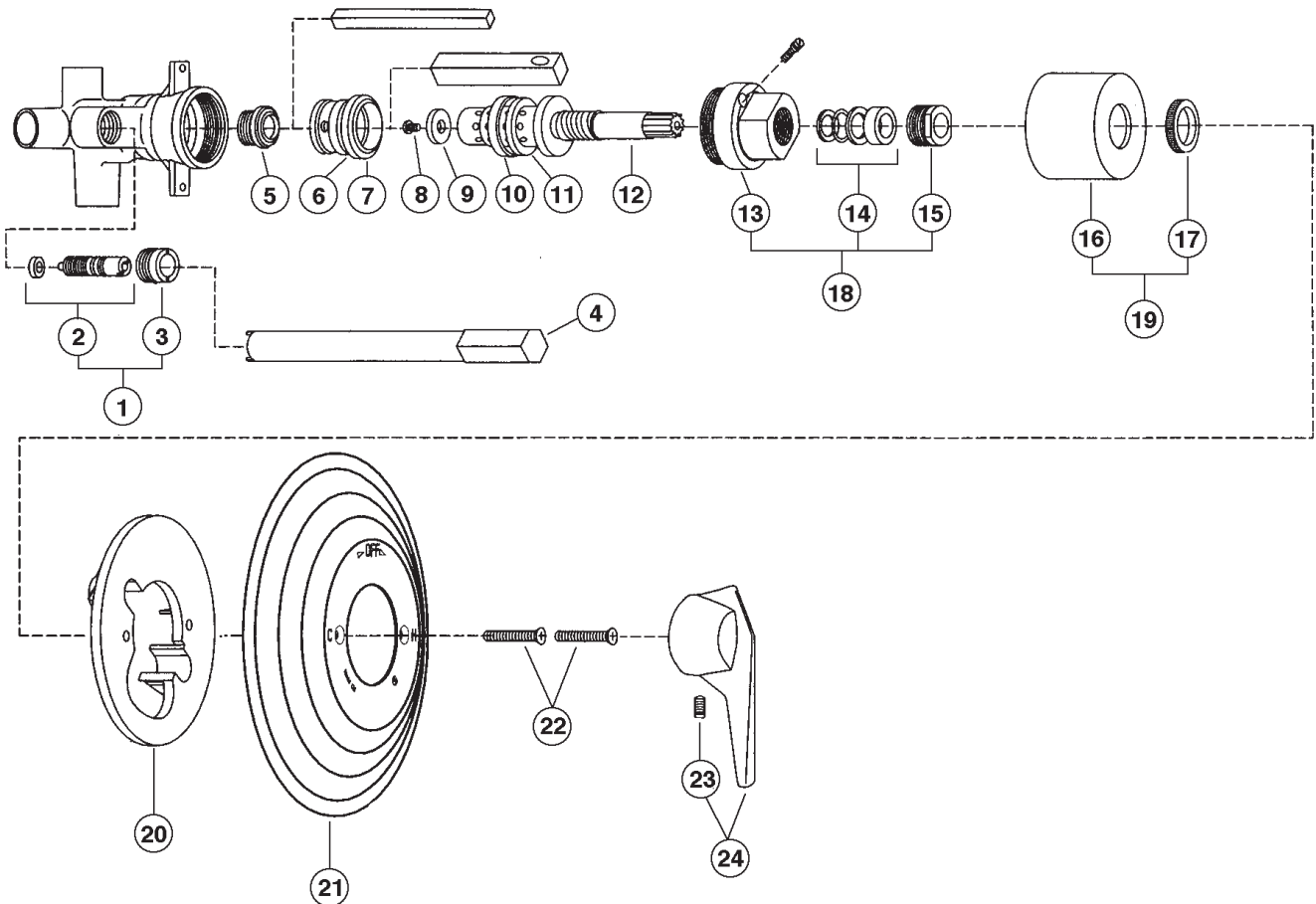
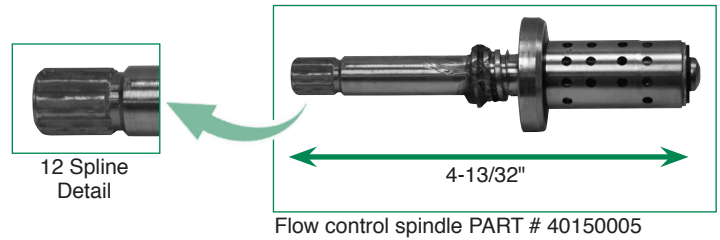




TOTAL MAINTENANCE SOLUTIONS

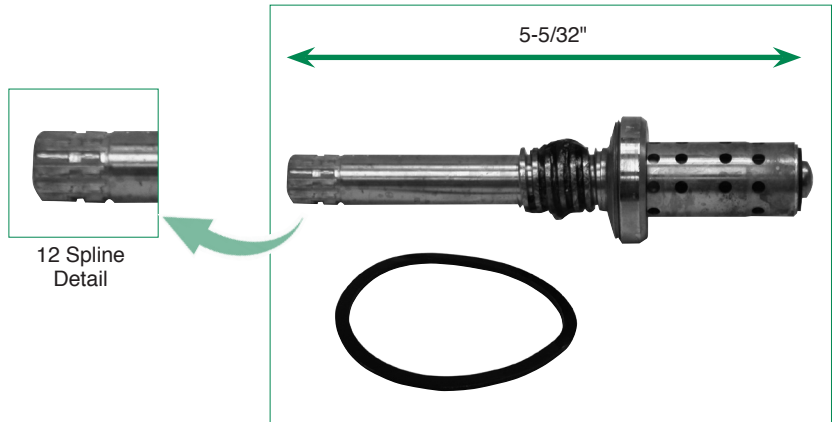
SYMMONS TEMPTROL

ITEM	PART #	DESCRIPTION
1	41001198	Stop spindle assembly/escutcheon screw retainer/ stop plaster shield
2	41001632	Stop spindle assembly/escutcheon screw retainer
3	41001633	Stop plaster shield
4		Stop plaster shield removal tool
5		Hot renewable seat
6		Cold seat o-ring
7		Cold renewable seat
8	41001634	Hot washer screw
9	41001635	Hot washer
10	41001636	Cold washer retainer
11	41001637	Cold washer
12	40150005	Flow control spindle
13	41001638	Cap gasket
14	41001639	Packing, o-ring and washers
15	41001640	Packing nut
16		Dome cover
17		Lock nut
18	40150062	Cap assembly
19	40150105	Dome cover/locknut
20		Wall mounting flange
21		Escutcheon
22		Escutcheon screws (2)
23		Set screw
24	40150163	Single blade lever handle

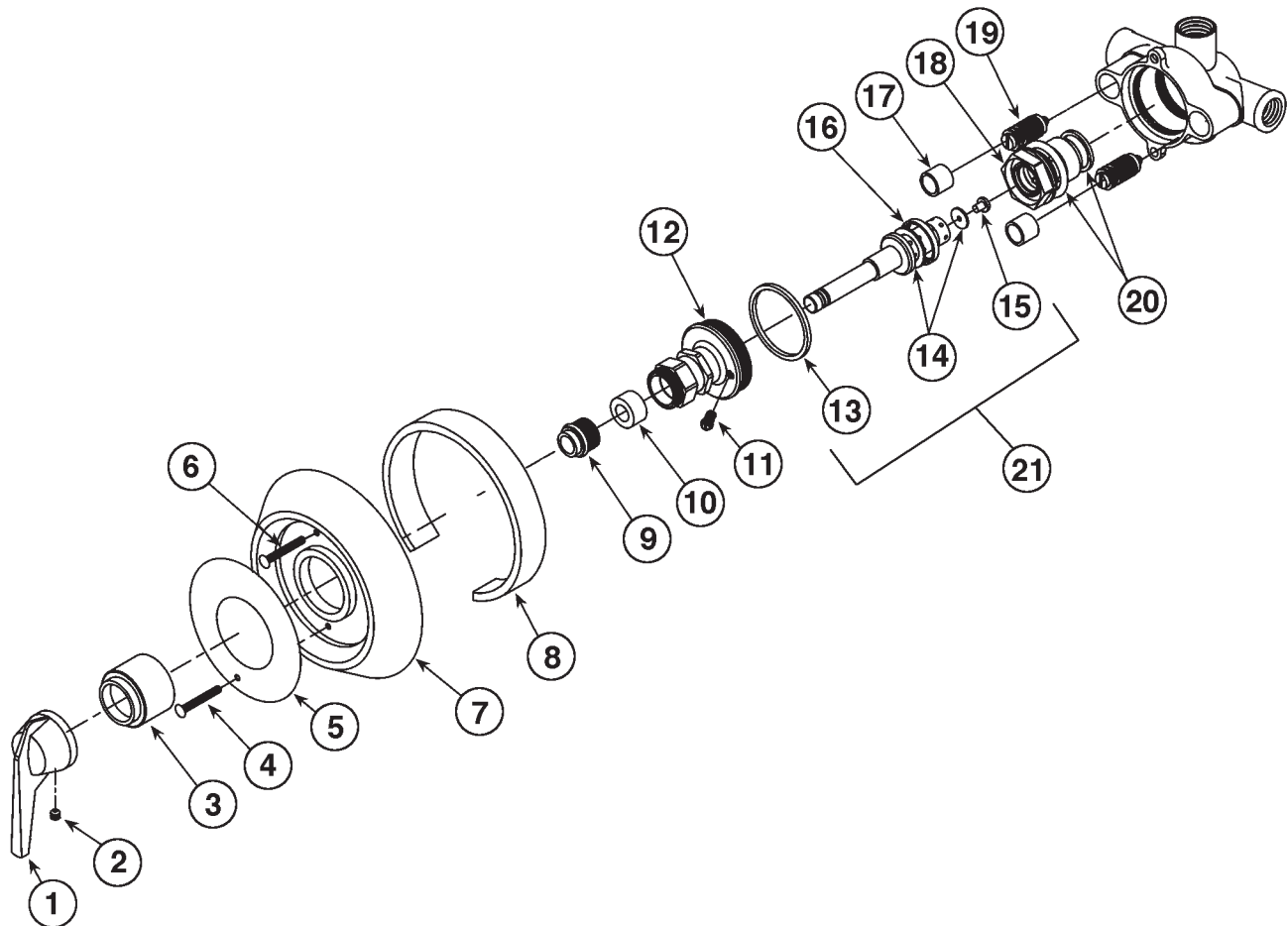


SYMMONS TEMPTROL

ITEM	PART #	DESCRIPTION
1	40150054	Lever handle
2	41001641	Handle screw
3	41001642	Dome cover and lock nut
4		Escutcheon screw
5	41001643	Dial
6		Escutcheon screw
7	41001644	Escutcheon and screw
8		Escutcheon gasket
9	41001645	Packing nut with o-rings
10	41001646	Packing
11	41001647	Limit stop with o-ring
12	41001648	Cap
13	41001649	Cap gasket
14		Hot and cold washers
15		Hot washer screw
16		Cold washer retainer
17	41001186	Plaster shield
18	40150088	Renewable seat
19	NLA	Spindle assembly – OBSOLETE
20	41001650	Top seat o-ring and bottom seat gasket
21	40150182	Flow control spindle Washer and gasket kit (includes 2, 10, 13, 14, 15 and 16)



Flow control spindle PART # 40150182





TOTAL MAINTENANCE SOLUTIONS

SYMMONS HYDAPIPE

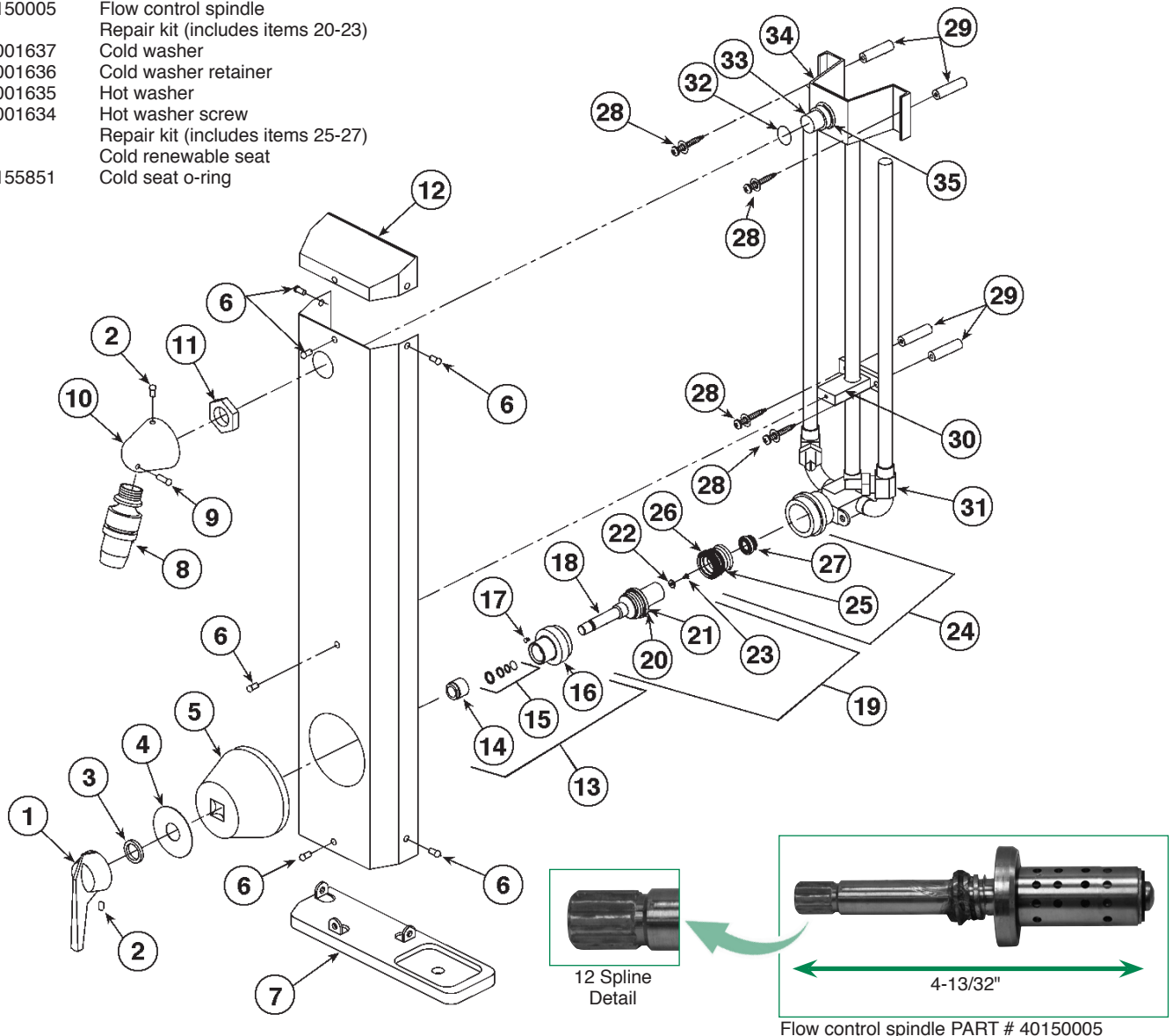
ITEM	PART #	DESCRIPTION
1	40150142	Handle
2		Set screw
3		Dome lock nut
4		Nameplate
5		Dome cover
6		Screw
7		Soap dish
8		Fre-Flo Showerhead
9		Set screw
10		Showerhead bracket
11		Mounting bracket nut
12		Top cap
13	40150062	Cap assembly
14	41001640	Packing nut
15	41001639	Packing nut, o-ring and washer
16	41001638	Cap gasket
17	41001651	Limit stop with o-ring
18	40150005	Flow control spindle
19		Repair kit (includes items 20-23)
20	41001637	Cold washer
21	41001636	Cold washer retainer
22	41001635	Hot washer
23	41001634	Hot washer screw
24		Repair kit (includes items 25-27)
25		Cold renewable seat
26	40155851	Cold seat o-ring

TOTAL MAINTENANCE SOLUTIONS

SYMMONS

SHOWER VALVES AND PARTS

ITEM	PART #	DESCRIPTION
27		Hot renewable seat
28		Screw
29		Star plastic anchors
30		Pipe and shield bracket
31		Service stop complete
32		O-ring
33		Head bracket stud
34		Head mounting bracket
35		Locking nut



Toll Free Telephone: 877/867-8675 • Toll Free Fax: 877/867-8674
www.tms4parts.com



SYMMONS

SHOWER VALVES AND PARTS

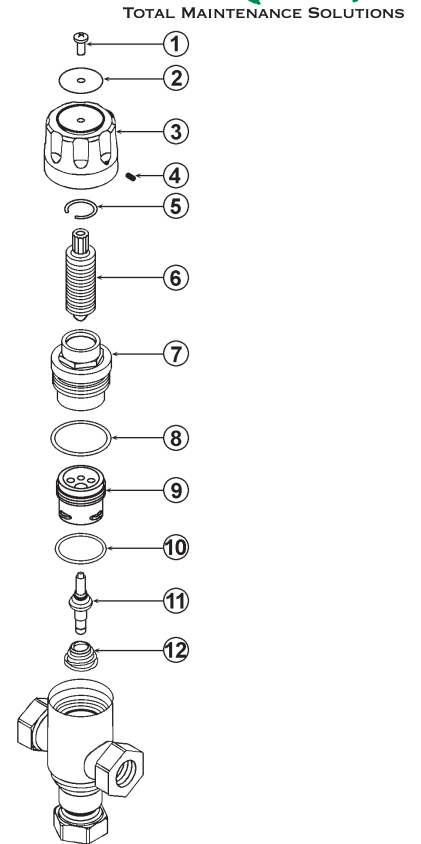
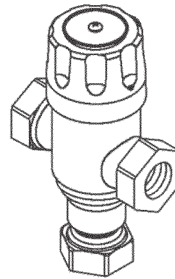
SYMMONS THERMIXER® THERMOSTATIC MIXING VALVE FROM 1998 TO DATE

ITEM	DESCRIPTION
1	Screw
2	Nameplate
3	Handle
4	Set screw
5	Retaining ring
6	Spindle assembly
7	Cap
8	O-ring
9	Piston
10	O-ring
11	Thermal motor
12	Conical spring

REPAIR KITS

Thermal motor replacement kit consists of items 8, 10, & 11
PART # 41001245

Complete control assembly replacement kit consists of items 8, 9, 10, 11, & 12
PART # 41001229



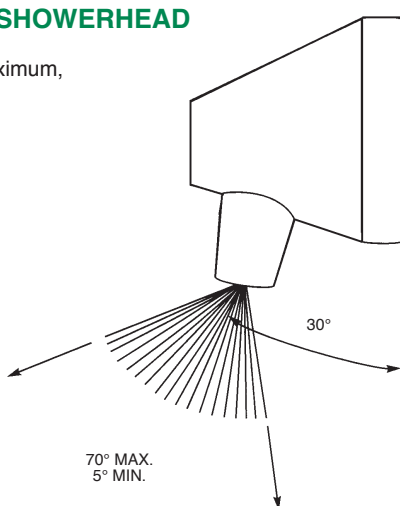
INSTITUTIONAL SHOWERHEADS

LOOKING FOR SHOWERHEADS FROM ACORN ENGINEERING AND BRADLEY CORPORATION?
SEE PAGES 64-65 AND 68-69

METCRAFT 30° SHOWERHEAD

Spray pattern 70° maximum,
5° minimum

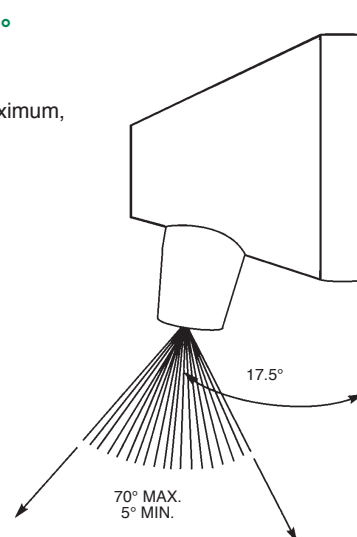
Part # 40140083



METCRAFT 17.5° SHOWERHEAD

Spray pattern 70° maximum,
5° minimum

Part # 40140084





TOTAL MAINTENANCE SOLUTIONS

SLOAN ACT-O-MATIC INSTITUTIONAL SELF-CLEANING SHOWERHEAD

MODEL AC-450

PART # 40261400

REPAIR KIT FOR AC-450 MODELS

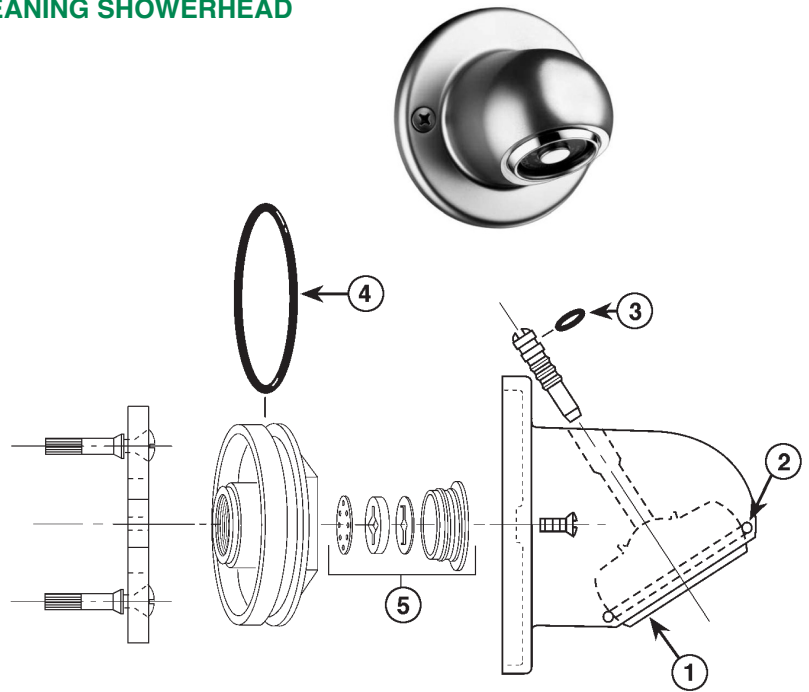
ITEM	DESCRIPTION
1	Showerhead spray disc assembly
2	Spray disc o-ring
3	Adjustment screw o-ring
4	Pipe fitting o-ring
5	2.5 gpm (9.4Lpm) flow control kit

PART # 40261401

O-RING REPLACEMENT KIT

(includes 2, 3, and 4)

PART # 40261402

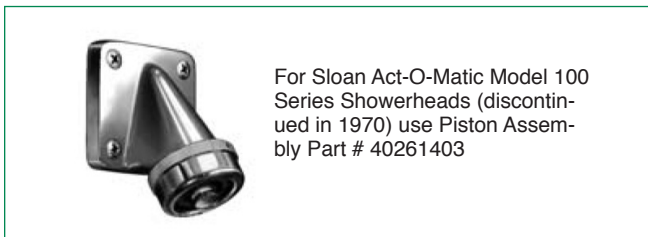
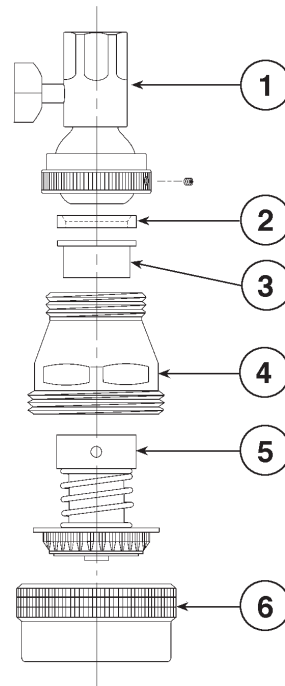


SLOAN ACT-O-MATIC STANDARD STYLE SHOWERHEADS

ITEM	PART #	DESCRIPTION
1		Ball joint coupling with volume control†
		Ball joint coupling less volume control
2		SH-3 Gasket (pack of 24 pieces)
3		2.5 gpm (9.4 Lpm) flow control
4		Body
5		Piston assembly†
		Piston assembly – needle spray†
6		Coupling ring‡
		Coupling ring – needle spray‡

† – Includes item #2

‡ – Chrome plated. Call TMS for other available finishes

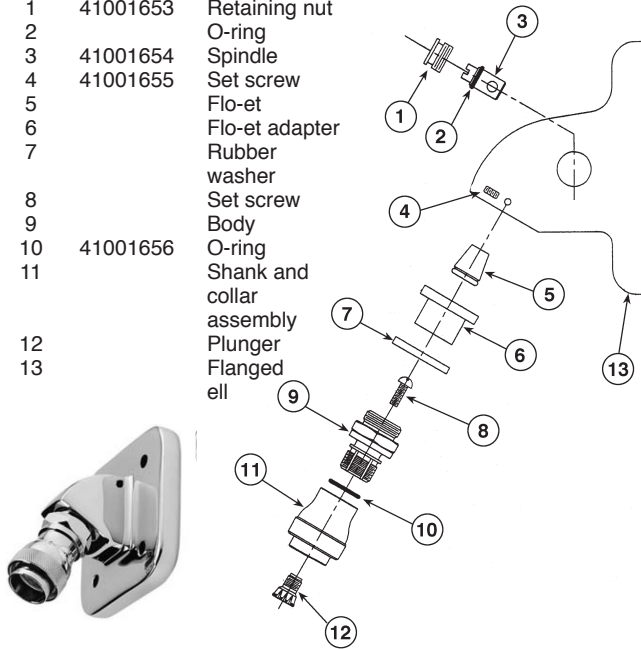


TOTAL MAINTENANCE SOLUTIONS
INSTITUTIONAL
 SHOWERHEADS



SPEAKMAN WALL MOUNTED SHOWERHEAD MODEL 2-2285-AF

ITEM	PART #	DESCRIPTION
1	41001653	Retaining nut
2		O-ring
3	41001654	Spindle
4	41001655	Set screw
5		Flo-et
6		Flo-et adapter
7		Rubber washer
8		Set screw
9		Body
10	41001656	O-ring
11		Shank and collar assembly
12		Plunger
13		Flanged ell

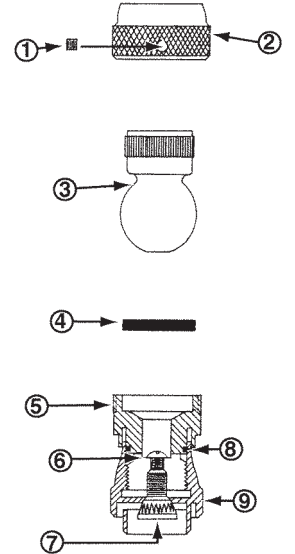


SPEAKMAN WATER SAVER SHOWERHEAD, MODEL S-2288-AF

ITEM	PART #	DESCRIPTION
1	41001199	Set screw
2	41001200	Coupling nut
3	41001201	Ball joint
4	41001202	Packing
5	41001203	Showerhead body
6	41001204	Screw
7	41001205	Plunger
8	40950025	O-ring
9	41001206	Shank and collar assembly

COMPLETE SHOWERHEAD MODEL S-2288-AF

(Items 1-9)
 PART # 41001230



SPEAKMAN WALL MOUNTED ADJUSTA-SPRAY SHOWERHEAD MODEL S-2460

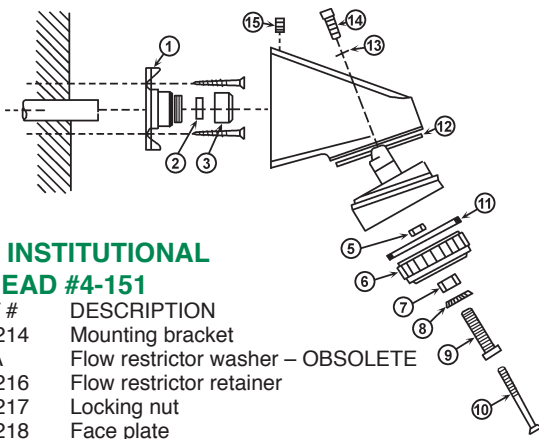
REPLACEMENT PARTS NOT AVAILABLE
 REPLACE COMPLETE SHOWERHEAD

PART # 41001248



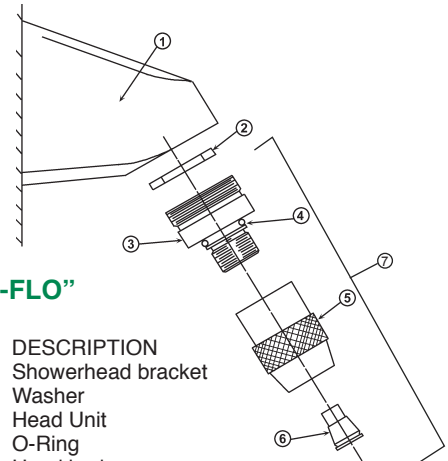
SYMMONS INSTITUTIONAL SHOWERHEAD #4-151

ITEM	PART #	DESCRIPTION
1	41001214	Mounting bracket
2	NLA	Flow restrictor washer - OBSOLETE
3	41001216	Flow restrictor retainer
5	41001217	Locking nut
6	41001218	Face plate
7	41001219	Spacer
8	41001220	Spray Insert
9	41001221	Stud screw
10	41001222	Face plate locking screw
11	41001223	Face plate gasket
12	41001224	Insert gasket
13	41001225	Insert Locking screw gasket
14	41001226	Insert Locking screw
15	41001227	Head screw (obsolete/NLA)



SYMMONS "FRE-FLO" SHOWERHEAD

ITEM	PART #	DESCRIPTION
1	41001207	Showerhead bracket
2	41001208	Washer
3	41001209	Head Unit
4	40950025	O-Ring
5	41001211	Head body
6	41001212	Spray control
7	41001246	Front assembly (FF-1A) (items 2-6)



SYMMONS FRE-FLO RIGID SHOWERHEAD 4-285F
 PART # 40151205



Head body
 PART #
 41001211

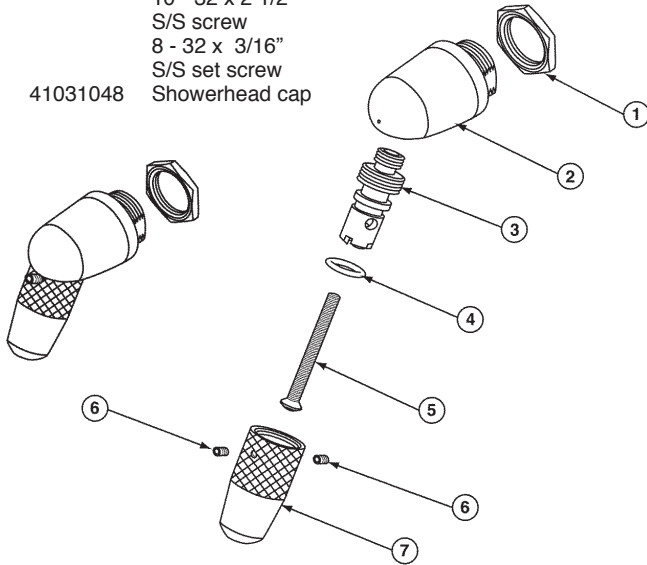


TOTAL MAINTENANCE SOLUTIONS

TOTAL MAINTENANCE SOLUTIONS
INSTITUTIONAL
 SHOWERHEADS

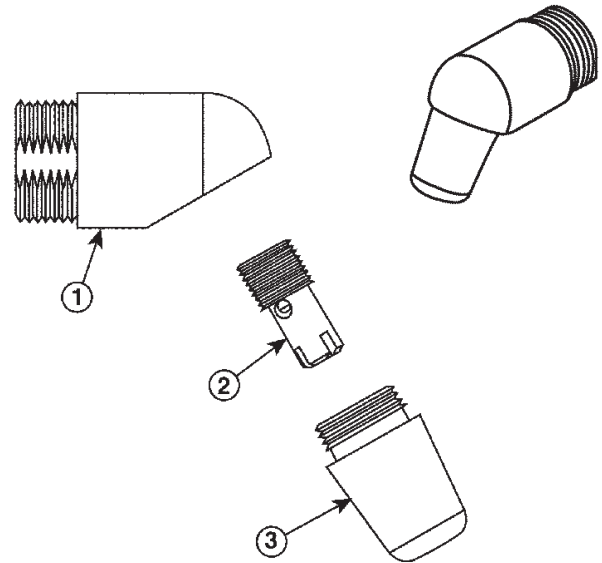
WILLOUGHBY PENAL SHOWERHEAD, WSH-5D

ITEM	PART #	DESCRIPTION
1		Locknut 3/4" NPT brass
2		Showerhead base, 30°
3	41031047	Showerhead orifice, brass
4	41031018	O-Ring
5		10 - 32 x 2 1/2" S/S screw
6		8 - 32 x 3/16" S/S set screw
7	41031048	Showerhead cap



WILLOUGHBY PENAL SHOWERHEAD, WSH-7

ITEM	PART #	DESCRIPTION
1		Showerhead base, 30°
2	41031049	Showerhead insert
3	41031050	Showerhead cap



ZURN TEMP-GARD INSTITUTIONAL SHOWERHEAD
 PART # 41031090



**ZURN TEMP-GARD INSTITUTIONAL SHOWER
 WALL MOUNT W/ BALL JOINT SOLID BRASS
 SHOWERHEAD**
 PART # 41031091



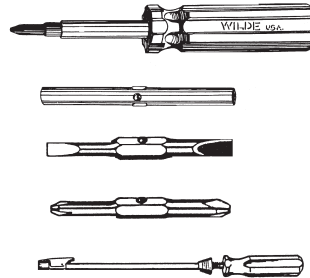
TOTAL MAINTENANCE SOLUTIONS TOOLS



TOTAL MAINTENANCE SOLUTIONS

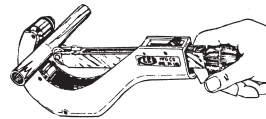
SCREWDRIVERS

PART #	DESCRIPTION
20401005	4 in 1 screwdriver w/ 2 slotted & 2 Phillips bits
20301404	Slotted bit for 4 in 1
20301405	Phillips bit for 4 in 1
20301448	Bit for 2 in 1
20401015	6 in 1 screwdriver



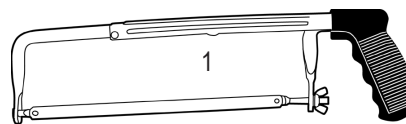
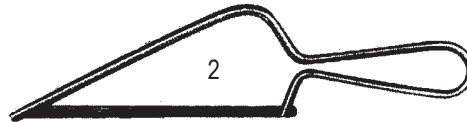
TUBING CUTTERS

PART #	DESCRIPTION
20200160	Quick release cutter 1/4" OD to 2-5/8" OD
20401109	Quick release cutter 1/8" OD to 1-5/16" OD
20401110	Quick release cutter 3/8" OD to 3-1/2" OD



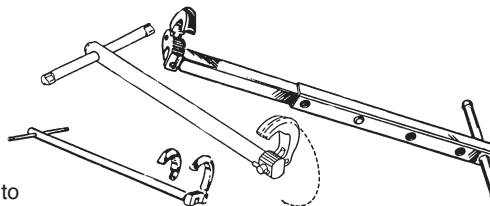
SAWS & BLADES

ITEM	PART #	DESCRIPTION
1	20200168	3" depth cut hack saw, uses 10" & 12" blades
2	20200169	Teeny Weeny hack saw
3	20200170	Compass saw handle



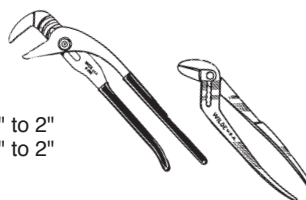
Basin WRENCHES

PART #	DESCRIPTION
20200149	Basin wrench, 11" handle, 1/2" to 1-1/8" capacity
20200172	Basin wrench, 15" handle, 1/2" to 1-1/8" capacity
20200003	Telescoping basin wrench, 10" to 17" handle with 3/8" to 1-1/4" capacity.



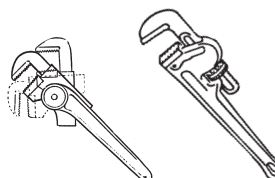
PIPE WRENCH PLIERS

PART #	DESCRIPTION
20200234	10" Heavy duty pipe wrench, capacity 1/8" to 1-1/2"
20200235	12" Heavy duty pipe wrench, capacity 1/8" to 2"
20200173	14" Heavy duty pipe wrench, capacity 1/4" to 2"
20200174	10" Self adjusting pipe wrench
20200175	14" Self adjusting pipe wrench



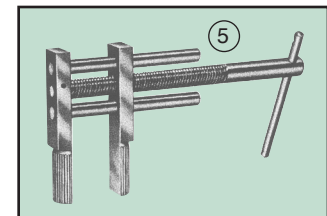
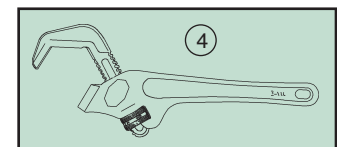
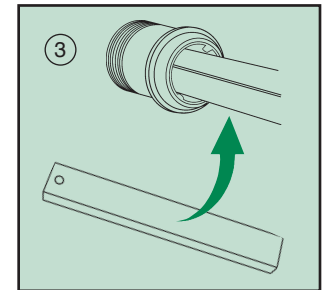
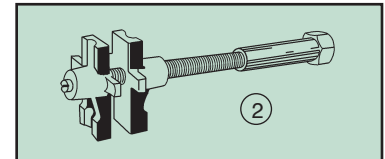
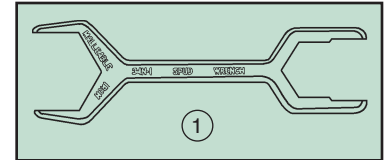
PIPE WRENCHES

PART #	DESCRIPTION
20200176	10" Heavy duty pipe pliers w/ plastic grip
20200180	10" Heavy duty smooth jaw pliers w/ plastic grip



FLUSH VALVE TOOLS

For specific manufacturer tool information, please see the FLUSH VALVE Section



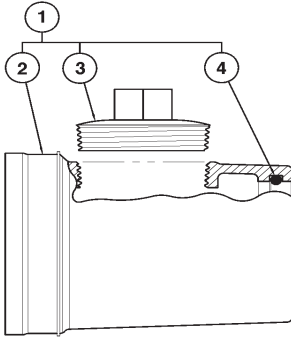
- 1 20200167 3-IN-1 Outside spud wrench
- 2 20200134 Inside expansion wrench for spuds, basket strainers, pipe nipples 1/2", 3/4", 1", and larger
- 3 20200171 Tailpiece removal tool – fits Sloan, Delany & Zurn
- 4 20200147 Ridgid off set smooth jaw hex wrench
- 5 20200148 Adjustable spud wrench



TOTAL MAINTENANCE SOLUTIONS

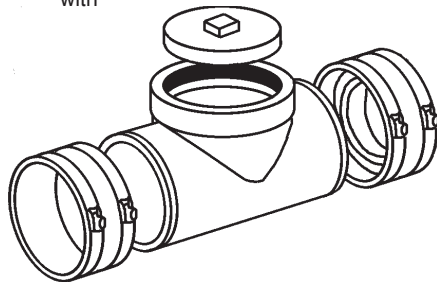
4" NO-HUB TO 3" OD WASTE

ITEM	PART #	DESCRIPTION
1	41011261	4" No-hub to 3" OD waste connection
2		4" No-hub connector w/ cleanout
3	41011202	DWV plug (plastic)
4		O-ring



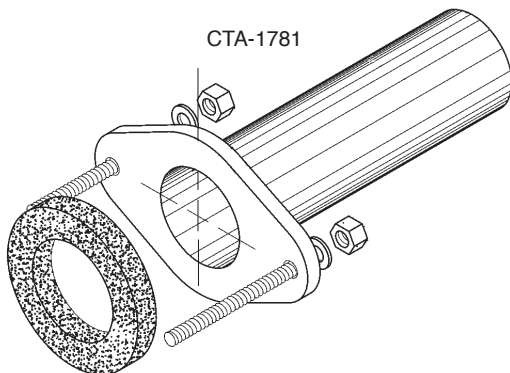
NO-HUB CLEANOUT TEE

PART #	FITTINGS	CLEANOUT
41021266	3"	without
41021267	4"	without
41021268	4"	with



FLANGED WASTE CONNECTION BY NO-HUB (3")

CTA-1781 Wall outlet w/out cleanout: used for toilets and combo units with flanged waste outlet

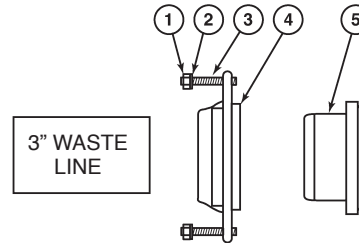


TOTAL MAINTENANCE SOLUTIONS

WASTE CONNECTIONS

3" CI FLANGED CONNECTION WITH WASTE GASKET (ACORN)

ITEM	PART #	DESCRIPTION
1		5/16"-18 nut
2		5/16" washer
3		5/16"-18 x 2" stud
4		Waste connection flange*
5		Waste connection gasket*



* NO LONGER AVAILABLE – USE 4" X 3" NO HUB CLOSET FLANGE WITH WAX OR FELT GASKET

4" X 3" NO-HUB CLOSET FLANGE



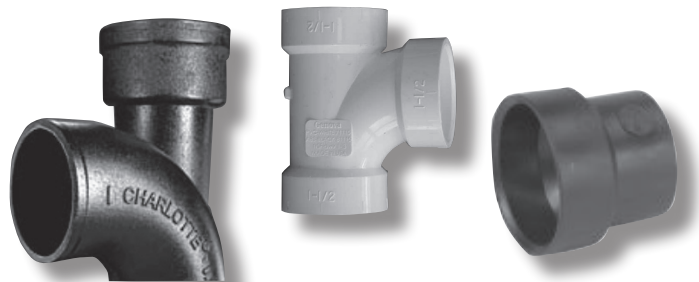
Use PART # 40211294 to slide inside existing 3" waste or



PART # 40212026, 4" x 3" depth no caulk closet flange

NEED WASTE FITTINGS?

We have PVC, DWV, and Cast Iron No-Hub



Toll Free Telephone: 877/867-8675 • Toll Free Fax: 877/867-8674
www.tms4parts.com

TOTAL MAINTENANCE SOLUTIONS WASTE ACCESSORIES



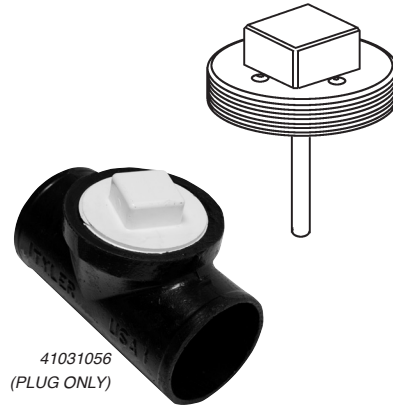
PINNED CLEANOUT PLUGS

ACORN
2-1/2" NPT PLASTIC CLEANOUT WITH PIN PART # 41011262

BRADLEY
PVC WITH S/S PIN PART # 41021282

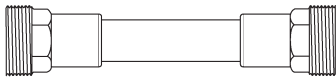
METCRAFT
3" BRASS WITH BRASS PIN PART # 40140094
4" BRASS WITH BRASS PIN PART # 40140095

WILLOUGHBY
3" PVC PART # 41031055
3" BRASS PART # 41031088
4" PVC PART # 41031056
4" BRASS PART # 41031089

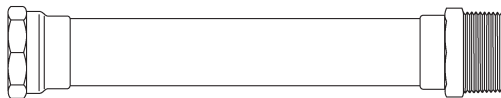


41031056
(PLUG ONLY)

THRU-WALL EXTENSIONS FOR FLUSH VALVES

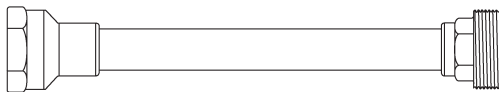


ASSEMBLY FOR TOILETS AND COMBIES
1-1/2" x 8" TOILET – FVT EXTENSION
PART # 41011264



ASSEMBLY FOR BLOWOUT JET URINALS
1-1/2" x 4" URINAL – FVT EXTENSION
PART # 41011265

1-1/2" X 8" URINAL – FVT EXTENSION
PART #41011266



ASSEMBLY FOR WASHOUT URINALS
3/4" X 8" URINAL – FVT EXTENSION
PART #41011267

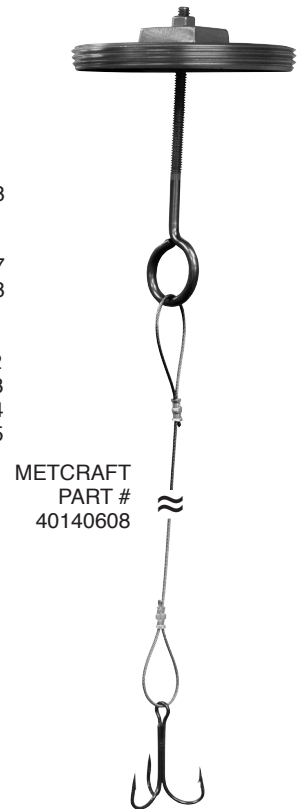
CLEANOUT PLUGS WITH HOOK

ACORN
PART # 41011263

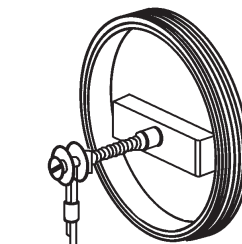
BRADLEY
4" BRASS PART # 41021268

METCRAFT
3" BRASS PART # 40140607
4" BRASS PART # 40140608

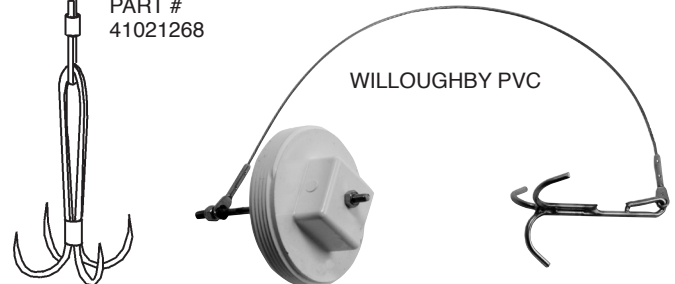
WILLOUGHBY
3" PVC PART # 41011102
4" PVC PART # 41031103
3" BRASS PART # 41031104
4" BRASS PART # 41031105



METCRAFT
PART #
40140608



BRADLEY
PART #
41021268



WILLOUGHBY PVC

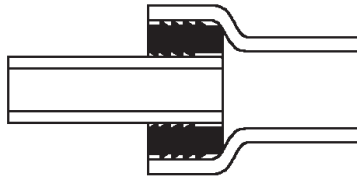


TOTAL MAINTENANCE SOLUTIONS

WASTE ACCESSORIES

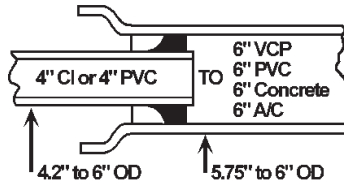
**DONUT FOR CLAY BELL X
CAST IRON OR ABS/PVC
SEWER & DRAIN**

PART #	DESCRIPTION
40800876	4" x 4" Clay Bell x Cast Iron (SV) or ABS/PVC S&D



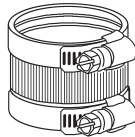
**DONUT FOR CLAY BELL X
CAST IRON OR ABS/PVC DWV**

PART #	DESCRIPTION
40801269	6" x 4" Clay Bell x CixH or ABS/PVC DWV



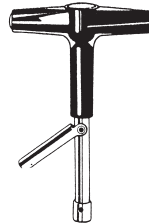
**NO HUB COUPLINGS (IAPMO
APPROVED, STANDARD A74)**

PART #	SIZE
40800355	1-1/2"
40800356	2"
40800953	2" x 1-1/2"
40800353	3"
40800354	4"



**NO HUB TORQUE
WRENCH**

Part # 40800351



**FLEXIBLE COUPLINGS
(FOR CAST IRON AND PVC)**

PART #	DESCRIPTION
40800837	1-1/4" x 1-1/4" CI/PVC x CI/PVC
40800494	1-1/2" x 1-1/2" CI/PVC x CI/PVC
40800472	2" x 2" CI/PVC x CI/PVC
40800647	2" x 1-1/2" CI/PVC x CI/PVC
40800528	3" x 3" CI/PVC/SS x CI/PVC/SS
40800949	3" x 2" CI/PVC x CI/PVC
40900984	4" x 3" CI/PVC x CI/PVC
40800495	4" x 4" CI/PVC/SS x CI/PVC/SS



**FLEXIBLE COUPLINGS (FOR
CLAY X CAST IRON OR PVC)**

PART #	DESCRIPTION
40800950	4" x 4" Clay x CI/PVC
40800951	6" x 4" Clay x CI/PVC

TOTAL MAINTENANCE SOLUTIONS
FLEXIBLE
WASTE CONNECTIONS

**Call Us for
All of Your
Sewer
Machine
Needs**

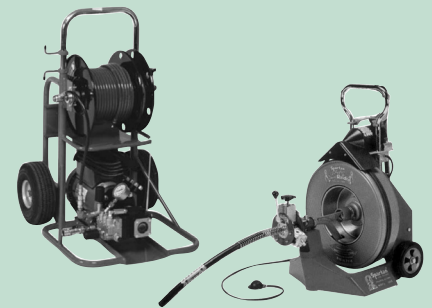
*from Spartan,
General,
Rigid,
and Marco*

Cable Machines

Mini Jetters

Accessories

Root Cutters

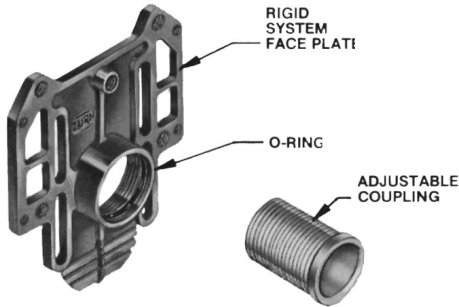


TOTAL MAINTENANCE SOLUTIONS
TOILET
 CONNECTIONS AND HARDWARE



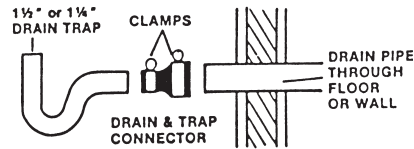
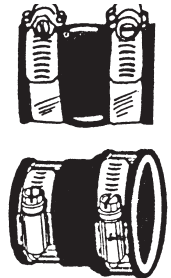
FOR ZURN 1203 & 1204 SERIES

PART NO.	DESCRIPTION
40291211	10" ABS Nipple
40291212	O-ring for sealing at carrier face



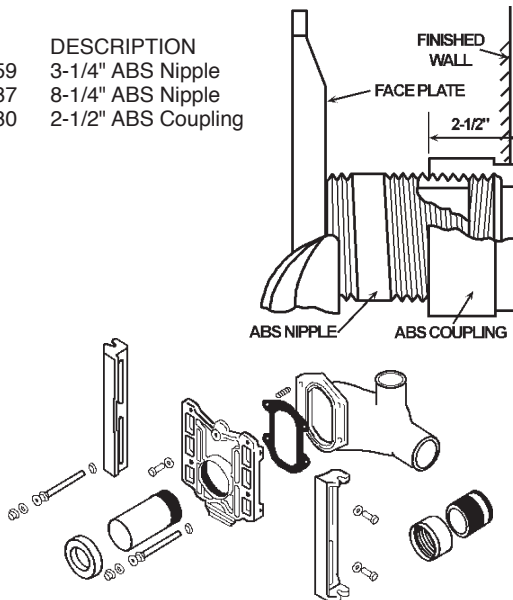
**TRAP DRAIN ADAPTERS
 CI/PVC, COPPER X TUBULAR**

PART #	DESCRIPTION
40800569	1-1/4" X 1-1/4" or 1-1/2" X 1-1/2" Tubular X Tubular
40800552	1-1/2" x 1-1/2" or 1-1/2" x 1-1/4" Tubular X Tubular
40800503	1-1/2" X 1-1/2" or 1-1/2" X 1-1/4" CI/PVC X Tubular
40800952	2" X 1-1/2" or 2" X 1-1/4" CI/PVC X Tubular



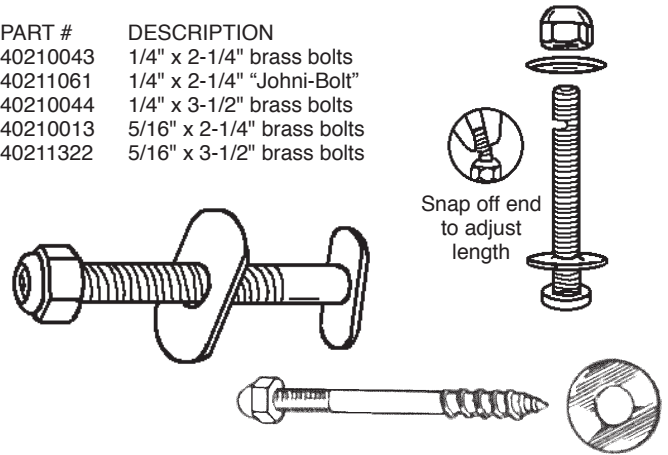
**J.R. SMITH "LINEBACKER"
 CLOSET CARRIERS**

PART #	DESCRIPTION
40300359	3-1/4" ABS Nipple
40300187	8-1/4" ABS Nipple
40300180	2-1/2" ABS Coupling



CLOSET BOWL BOLTS

PART #	DESCRIPTION
40210043	1/4" x 2-1/4" brass bolts
40211061	1/4" x 2-1/4" "Johni-Bolt"
40210044	1/4" x 3-1/2" brass bolts
40210013	5/16" x 2-1/4" brass bolts
40211322	5/16" x 3-1/2" brass bolts

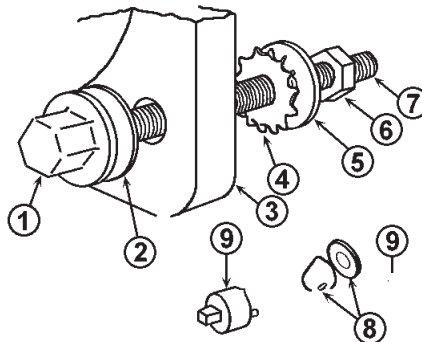


CLOSET BOWL SCREWS

PART #	DESCRIPTION
40210062	1/4" x 2-1/2" brass screws
40211319	1/4" x 3-1/2" brass screws

CLOSET CARRIER PARTS

ITEM	PART #	DESCRIPTION
1	40300214	Chrome washer nut
2	40300209	Fiber washer
3		Closet flange
4	40300211	Bowl stabilizer washer
5	40300360	Metal washer
6		Back-up nut
7		Mounting stud (specify length)
	40300710	Trim kit (contains 4 each item 1 and item 2)
8	40300361	Vandal proof trim kit
9	40300362	Socket for vandal proof trim kit



EXTENDED TRIM KIT
 (Includes 4 each, nut and washer)
 PART # 40301102

TRIM KIT
 (Includes 4 each, nut and washer)
 PART # 40300710



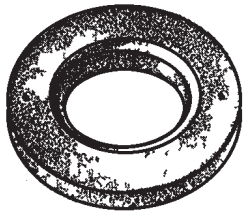
TOTAL MAINTENANCE SOLUTIONS

CLOSET GASKETS - WALL & FLOOR MOUNTED

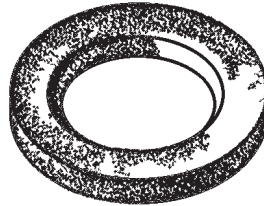
Regular Wax, Urethane Wax, Urethane & Wax with or without Flanges, and Extra Thick

TOTAL MAINTENANCE SOLUTIONS

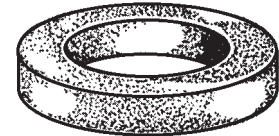
**TOILET
GASKETS**



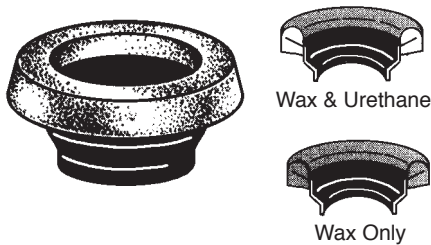
PART # 40212021
DESCRIPTION Wide flange type w/bolt holes
6-3/4"OD x 3-1/2"ID x 3/4"



PART # 40211233
DESCRIPTION Ring type w/no bolt holes
5-3/8"OD x 3-1/2"ID x 3/4"



PART # 40211016
DESCRIPTION Regular wax gasket for floor bowls only.
40211005 Urethane wax gasket for floor or wall bowls



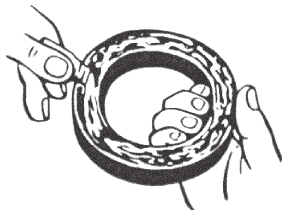
PART # 40210021
DESCRIPTION Regular wax gasket for floor bowls only
40211001 Urethane wax gasket for floor & most wall bowls



PART # 40211014
DESCRIPTION Extra Thick wax seal floor bowls only



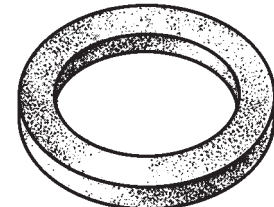
PART # 40211234
DESCRIPTION Urethane wax gasket for floor bowls only (4" lines)



PART # 40291034
DESCRIPTION Zurn "Neo-Seal" Sponge gasket with adhesive.

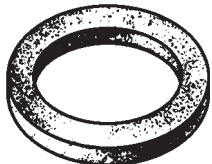


PART # 40211224
DESCRIPTION Felt type gasket for 4" lines.
5" OD x 3-3/8" ID x 3/4"



PART # 40211223
DESCRIPTION Sponge type gasket for 4" lines.
5-1/8" OD x 3-3/8" ID x 3/4"

URINAL GASKETS



PART # 40211237
DESCRIPTION Sponge type gasket
4-3/8"ODx 2-7/8"IDx 1/2"
40210042 Sponge type gasket
3"ODx 2-1/8"IDx 3/8"



PART # 40211012
DESCRIPTION Urethane wax gasket for 2" outlets



PART # 40210239
DESCRIPTION Felt type gasket
3-1/2"ODx 2"IDx 3/4"

TRAPS

SPUDS AND TOILET FLANGES

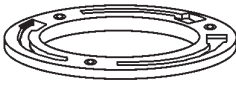

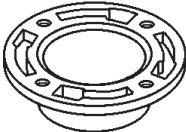
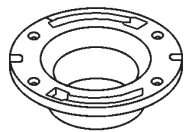
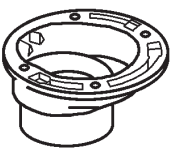
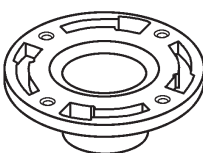
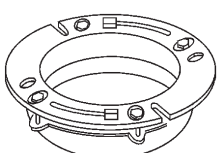
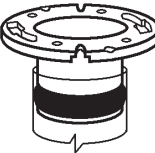
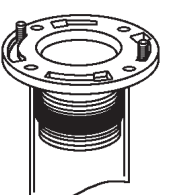
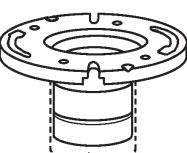
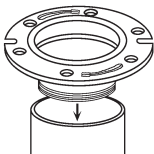

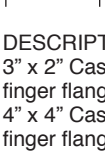
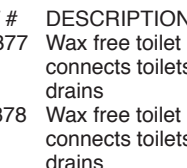


BRASS CLOSET & URINAL SPUDS

- | | |
|---------------|-------------------------------------------|
| PART # | FULL SPUDS W/GASKET & RING |
| 40210960 | 1-1/4" x 1-1/4" Spud (urinal) |
| 40210959 | 1-1/2" x 1-1/2" Spud (closet) |
| 40210058 | 2" x 2" Spud (closet) |
| PART # | REDUCING SPUDS W/GASKET & RING |
| 40210961 | 1" x 3/4" Spud (urinal) |
| 40210020 | 2" x 1-1/4" Spud (closet) |
| 40211068 | 2" x 1-1/2" Spud (closet) |
| PART # | SPUD WASHERS |
| 40211020 | 3/4" |
| 40211019 | 1-1/4" |
| 40211018 | 1-1/2" |
| 40211087 | 2" |

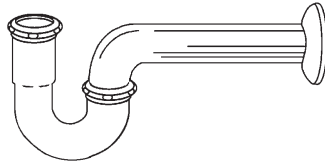


FLANGES

- | | | | |
|----------------------------------------------------------------------------------------------------------------------------------------------------|---------------------------------------------------------------------------------|-------------------------------------------------------------------------------------------------------------------------------------|------------------------------------------------------------------------------------------|
|  | PART # DESCRIPTION
40212022 14 oz. Brass closet flange |  | PART # DESCRIPTION
40212023 1-1/8" Deep brass closet flange |
|  | PART # DESCRIPTION
40851116 4" PVC closet flange |  | PART # DESCRIPTION
40851019 4" or 3" PVC closet flange |
|  | PART # DESCRIPTION
40212024 2" Offset closet flange for 3" or 4" line |  | PART # DESCRIPTION
40212025 3" Street closet flange |
|  | PART # DESCRIPTION
40212026 No Caulk closet flange C.I. (4") |  | PART # DESCRIPTION
40210016 4" Street compression closet flange |
|  | PART # DESCRIPTION
40211253 PVC Twist-N-Set closet flange |  | PART # DESCRIPTION
40211294 3" Inside compression flange |
|  | PART # DESCRIPTION
40212027 3" x 2" Cast iron two finger flange |  | PART # DESCRIPTION
40211377 Wax free toilet seal connects toilets to 3" drains |
|  | PART # DESCRIPTION
40211340 4" x 4" Cast iron two finger flange |  | PART # DESCRIPTION
40211378 Wax free toilet seal connects toilets to 4" drains |

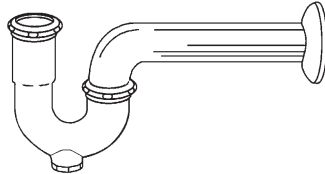
P-TRAPS-NO CLEANOUT

- | | |
|---------------|--------------------|
| PART # | DESCRIPTION |
| 40800853 | 1-1/4" 22 GA |
| 40800508 | 1-1/4" 20 GA |
| 40800005 | 1-1/4" 17 GA |
| 40800540 | 1-1/2" 22 GA |
| 40801062 | 1-1/2" 20 GA |
| 40800006 | 1-1/2" 17 GA |



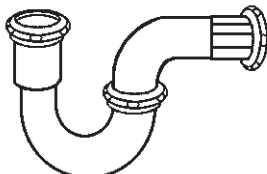
P-TRAPS-WITH CLEANOUT

- | | |
|---------------|--------------------|
| PART # | DESCRIPTION |
| 40800011 | 1-1/4" 17 GA |
| 40800012 | 1-1/2" 17 GA |



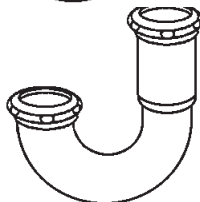
REPAIR TUBE TRAPS

- | | |
|---------------|--------------------|
| PART # | DESCRIPTION |
| 40800466 | 1-1/4" 20 GA |
| 40801096 | 1-1/2" 20 GA |



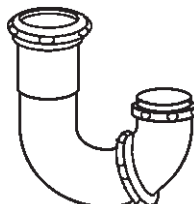
J-BENDS

- | | |
|---------------|--------------------|
| PART # | DESCRIPTION |
| 40801271 | 1-1/4" 22 GA |
| 40801097 | 1-1/4" 20 GA |
| 40800007 | 1-1/4" 17 GA |
| 40801272 | 1-1/2" 22 GA |
| 40801273 | 1-1/2" 20 GA |
| 40800008 | 1-1/2" 17 GA |



SINK TRAP J-BENDS

- | | |
|---------------|--------------------|
| PART # | DESCRIPTION |
| 40800479 | 1-1/4" 20 GA |
| 40801274 | 1-1/2" 22 GA |
| 40801063 | 1-1/2" 20 GA |

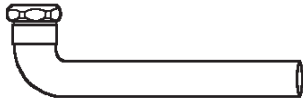




TOTAL MAINTENANCE SOLUTIONS

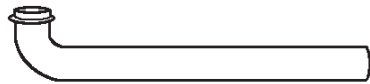
WASTE ARMS

PART #	DESCRIPTION
40801275	1-1/2" X 7" 22 GA Direct Conn.
40801276	1-1/2" x 15" 22 GA Direct Conn.
40801277	1- 1/2" x 24" 22 GA Direct Conn.
40801278	1- 1/2" x 7" 22 GA Slip Joint
40801279	1-1/2" x 15" 22 GA Slip Joint
40801280	1-1/2" x 24" 22 GA Slip Joint
40801281	1-1/2" x 30" 22 GA Slip Joint



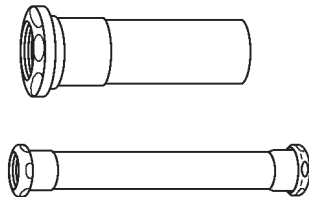
WALL BENDS

PART #	DESCRIPTION
40801282	1-1/4" X 8" 22 GA
40801283	1-1/4" x 8" 17 GA
40801284	1- 1/4" x 12" 22 GA
40800042	1-1/4" x 15" 17 GA
40801285	1-1/2" x 9" 22 GA
40801064	1-1/2" x 9" 17 GA
40801286	1- 1/2" x 12" 22 GA
40800043	1-1/2" x 15" 17 GA



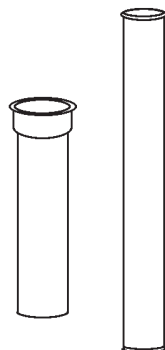
TAILPIECES- EXTENSION TUBES – SLIP JOINT

PART #	DESCRIPTION
40801287	1-1/4" X 6" 22 GA
40800056	1-1/4" x 6" 17 GA
40800626	1-1/4" x 8" 22 GA
40800057	1-1/4" x 8" 17 GA
40800058	1-1/4" x 12" 17 GA
40800627	1-1/2" x 6" 22" GA
40801288	1-1/2" x 8" 22 GA
40800060	1-1/2" x 8" 17 GA
40800061	1-1/2" x 12" 17 GA
40801289	1-1/4" x 16" 22 GA Dble. S.J.
40801290	1-1/2' x 16" 22 GA Dble. S.J.



TAILPIECES – FLANGED

PART #	DESCRIPTION
40801291	1-1/2" X 1-1/4" X 6" 17 GA
40801292	1-1/2" x 1-1/4" x 8" 17 GA
40801293	1-1/2" x 1-1/4" x 12" 22 GA
40800854	1-1/4" x 6" 17 GA
40801294	1-1/2" x 4" 22 GA
40801295	1-1/2" x 4" 17 GA
40800045	1-1/2" x 6" 17 GA
40801296	1-1/2" x 8" 22 GA
40800046	1-1/2" x 8" 17 GA
40800047	1-1/2" x 12" 17 GA
40801297	1-1/2" x 12" 22 GA Dble. Flng



TOTAL MAINTENANCE SOLUTIONS TUBULAR

TAILPIECES-THREADED ON 1-1/2" END

PART #	DESCRIPTION
40801298	1-1/2" X 1- 1/4" x 6" 20 GA
40801299	1-1/2" x 1-1/4" x 12" 20 GA



WASTE TUBES- THREADED ON ONE END

PART #	DESCRIPTION
40801066	1-1/4" X 4" 17 GA
40801300	1-1/4" X 6" 17 GA
40801301	1-1/4" X 8" 20 GA
40800541	1-1/4" X 8" 17 GA
40801302	1-1/2" X 4" 20 GA
40801303	1-1/2" X 8" 20 GA



WASTE TUBES-THREADED ON BOTH ENDS

PART #	DESCRIPTION
40800049	1-1/4" X 12" 17 GA
40801304	1- 3/8" X 12" 22 GA
40801067	1-1/2" X 8" 17 GA
40800051	1-1/2" X 12" 20 GA



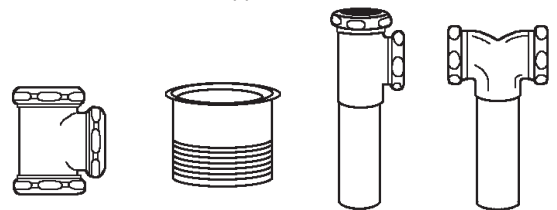
EXTENSION TUBES TO SOLDER

PART #	DESCRIPTION
40801305	1-1/4" X 8" 22 GA
40801069	1-1/4" X 8" 17 GA
40801306	1-1/2" X 6" 22 GA



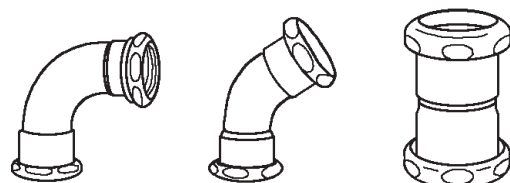
WASTE PARTS-CONTINUOUS WASTE

PART #	DESCRIPTION
40801070	1-1/2" Tee for E.O. waste direct conn.
40801071	1-1/2" Tee for E.O. waste slip joint
40801072	1-1/2" Tee for C.O. waste
40800030	1-1/2" Three-way repair tee
40801307	1-1/2" 17 GA waste nipple



DOUBLE SLIP REPAIR CONNECTIONS

PART #	DESCRIPTION
40800024	1-1/2" 90 ELL
40800028	1-1/2" 45 ELL
40800649	1-1/2" Coupling

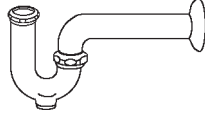


TOTAL MAINTENANCE SOLUTIONS TUBULAR



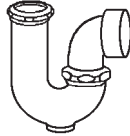
CAST TRAPS-BENT WALL TUBE W/CLEANOUT

PART #	DESCRIPTION
40800013	1-1/4" 17 GA
40800014	1-1/2" 17 GA



CAST TRAP-GROUND JOINT SWIVEL ELBOW W/ CLEANOUT

PART #	DESCRIPTION
40800575	1-1/4" X 1-1/4" X 1-1/4" SPC outlet
40800022	1-1/2" X 1-1/2" X 1-1/2" SPC outlet



WASTE CONNECTIONS

PART #	DESCRIPTION
40800277	1-1/2" S.J. X 1-1/2" MIP X 1-1/2" SWT
40800280	1-1/2" S.J. X 1-1/2" FIP



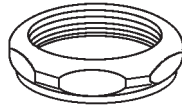
RUBBER SLIP JOINT WASHERS

PART #	DESCRIPTION
40950107	1-1/4" Rubber slip joint washer
40950102	1-1/4" Friction ring
40950008	1-1/2" Rubber slip joint washer
40950103	1-1/2" Friction ring
40950111	1-1/2" x 1-1/4" Rubber slip joint washer
40950156	1-1/2" x 1-3/8" Rubber slip joint washer
40950009	2" Rubber slip joint washer



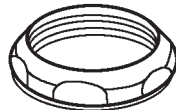
SLIP JOINT NUTS – CHROME PLATED BRASS

PART #	DESCRIPTION
40950157	1/2" X 9/16" CP Nut & washer
40800034	1-1/4" X 1-1/4" CP Nut & washer
40800035	1-1/2" X 1-1/4" CP Nut & washer
40801074	1-1/2" X 1-3/8" CP Nut & washer
40800036	1-1/2" X 1-1/2" CP Nut & washer
40800037	2" X 2" CP Nut & washer



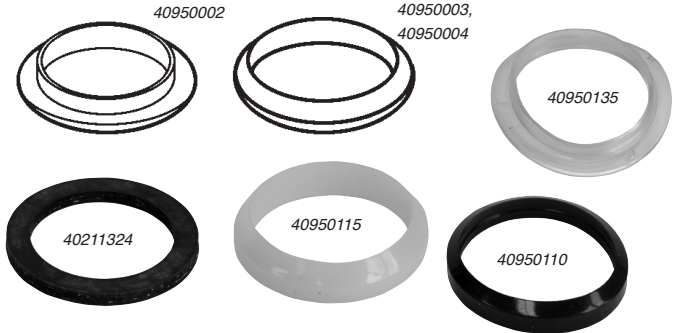
SLIP JOINT NUTS – CHROME PLATED DIE CAST

PART #	DESCRIPTION
40950158	1/2" X 9/16" CP
40950159	3/4" X 9/16" CP
40800031	1-1/4" X 1-1/4" CP
40800032	1-1/2" X 1-1/4" CP
40950160	1-1/2" X 1-3/8" CP
40800033	1-1/2" X 1-1/2" CP
40800071	2" X 1- 1/2" CP
40800072	2" X 2" CP



POLY SLIP JOINT & TAILPIECE WASHERS

PART #	DESCRIPTION
40950003	1-1/4" Beveled poly slip joint washer
40950004	1-1/2" Beveled poly slip joint washer
40950119	1-1/2" x 1-1/4" Poly slip joint washer
40801104	2" Poly slip joint washer
40950002	1-1/2" Poly tailpiece washer
40950115	1-1/4" vinyl S.J. washer, drip-free
40950110	1-1/2" vinyl S.J. washer, drip-free
40950135	1-1/2" vinyl tailpiece washer, drip-free
40211324	Cloth insert washer for 1-1/2" tailpiece



EVERSEAL PICK-PROOF CAULK

SB-190 Everseal from Surebond is a versatile, high strength, hard setting one-part sealant that has superb tensile strength and excellent impact resistance. It's also water, weather and pick proof. Everseal can be used in a variety of industries including educational facilities, correctional facilities, manufacturing, public facilities and marine applications on surfaces* such as plastic, PVC, fiberglass, metal, vinyl, glass, painted materials, cement, brick and wood.

*Everseal is not recommended for use with copper or soft expansion joints, polystyrene or styrene containing plastic.

APPLICATIONS:

Reduce contraband:
adhere metal bars and seal windows, protect visitation areas and lock down utility boxes.

Prevent vandalism:
seal lockers, secure telephones, and in restrooms use to bond wall fixtures.

Increase security in public areas:
in hospitals and psychiatric wards fasten down furniture to protect patients and visitors, and in public parks bond fixtures in restrooms, secure wall mountings such as fire extinguishers and thermostats and maximize safety for at-risk individuals. (10.3 oz, Clear)

Part # 60500137 (each)
Part # 60500138 (case)

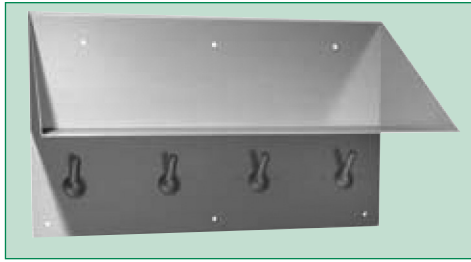




TOTAL MAINTENANCE SOLUTIONS

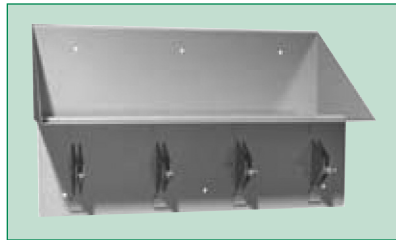
**BOOK SHELF/
CLOTHES
HOOK – FRONT
MOUNTING**

Shelf and back plate are 14 gauge stainless steel type 304 with satin finish. Hooks are 12 gauge stainless steel and back plate is 14 gauge stainless steel. Seams are welded and ground smooth. Hooks snap down for safety if excessively loaded. Unit has 6 holes through back for front mounting. Overall size 18" x 11" x 8" (460 x 280 x 200mm). MODEL # 128-1



CLOTHES/TOWEL HOOK STRIP – FRONT MOUNTING

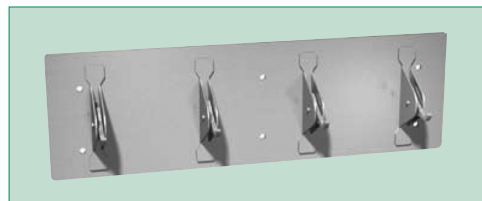
Fabricated of 12 gauge stainless steel type 304 with satin finish. Back plate of 14 gauge stainless steel. Hooks snap down for safety if excessively loaded. Six holes through back for front mounting. Overall size: 18" long x 5-1/2" x 2-1/8". 460 x 140 x 55) MODEL # 129



**BOOK SHELF/
CLOTHES HOOK
STRIP – FRONT
MOUNTING**

Book shelf and back plate are fabricated of 14 gauge stainless steel type type 304 with satin finish. Hooks are 7 gauge and brackets are 11 gauge stainless steel. Hooks snap down for safety if excessively loaded. Unit has 6 holes through back for front mounting. Overall size: 18" long x 11" high x 8" deep (460 x 280 x 200mm).MODEL # 137

safety if excessively loaded. Unit has 6 holes through back for front mounting. Overall size: 18" long x 11" high x 8" deep (460 x 280 x 200mm).MODEL # 137



CLOTHES/TOWEL HOOK STRIP – FRONT MOUNTING

Wall plate 14 gauge with beveled edges. 11 gauge brackets, and four, 7 gauge hooks. Stainless steel type 304 with satin finish. Hooks snap down for safety if excessively loaded. Unit has 6 mounting holes through back for front mounting. Overall size: 11" x 5-1/2" x 3-1/8" (280 x 140 x 80mm) projection. MODEL 127

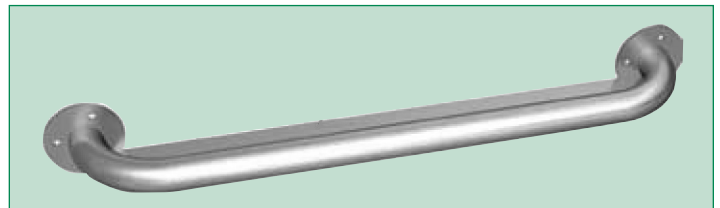
**SQUARE CLOTHES HOOK
– REAR MOUNTING**

Fabricated of 12 gauge type 304 stainless steel with a #4 satin finish. Back plate is fabricated of 14 gauge stainless steel. If hook is excessively loaded, it will snap down for safety. Unit has four studs welded on back for rear mounting. Overall size 4-1/4" x 4-1/4" x 2-1/8" (110 x 110 x 55mm) MODEL # 122



GRAB BAR – FRONT MOUNTING

Tube 18 gauge and flanges 1/8" (3mm) thick stainless steel type 304 with satin finish. Closure plate is 1/8" (3mm) thick. All welded construction. Unit has 3 holes through each flange for front mounting



SQUARE CLOTHES HOOK – FRONT MOUNTING

Similar to Model # 122, except with four holes for front mounting MODEL #123



CLOTHES HOOK – FRONT MOUNTING

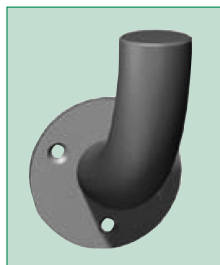
Bracket 11 gauge, hook 7 gauge type 304 stainless steel with satin finish. If hook is excessively loaded, it will snap down for safety. Unit has four holes through flange for front mounting. Overall size 3"x 5" x 3-1/16" (75 x 130 x 80mm) MODEL # 120

CLOTHES HOOK – REAR MOUNTING

Similar to Model 120, but with four studs welded to back for rear mounting. MODEL # 121

**FRONT MOUNTING POST TYPE
TOILET TISSUE HOLDER**

Fabricated of 18 gauge 1-1/4" (32mm) OD stainless steel type 304 with satin finish. Flange is 3" (76mm) dia. x 1/8" (3mm) thick and has 3 countersunk holes for front mounting. Overall size: 4-1/2" x 3-3/4" (115 x 95) projection. MODEL #111



For rear mounting specify wall thickness for length of welded-on 1/4" (6mm) – 20 threaded rods, washers and nut. NOTE: Following are standard models and sizes. Other sizes are available on request. Sizes are measured at center line of flanges.

MODEL	DESCRIPTION
160	Grab bar, 24" (610 mm) – Rear mount
165	Grab bar, 24" (610 mm) – Front mount
161	Grab bar, 30" (760 mm) – Rear mount
162	Grab bar, 30" (760 mm) – Front mount
163	Grab bar, 36" (915 mm) – Rear mount
164	Grab bar, 36" (915 mm) – Front mount
166	Grab bar, 42" (1070 mm) – Rear mount
167	Grab bar, 42" (1070 mm) – Front mount
168	Grab bar, 48" (1220 mm) – Rear mount
169	Grab bar, 48" (1220 mm) – Front mount

SECURITY ACCESSORIES



FRAMED MIRROR – REAR MOUNTING

Frame 14 gauge type 304 stainless steel with stain finish, coners welded and ground smooth. Unit provided with fiberboard backing and 6 “t” nuts welded on back for rear mounting. Specify glazing suffix required (see below for legend) and also specify wall thickness if greater than 6” (150 mm). Overall size: 12” x 16” x 5/8” (305 x 405 x 16mm) MODEL 101

- B = Tempered glass
- C = Stainless Steel
- D = Lexan Dura-Mir (polycarbonate)
- E = Plexiglas®
- L = Laminated glass



FRAMED MIRROR – FRONT MOUNTING

Similar to Model 101, but front mounting, furnished with TORX vandal resistant 1/4”-20 x 2” (150mm) machine screws. MODEL 105



FRAMED MIRROR – FRONT MOUNTING

Unit consists of wall mounting plate fabricated of 7 gauge type 304 stainless steel with 4 countersunk mounting holes and 8 tapped holes. Formed mirror fabricated of 18 gauge type 304 stainless steel with #8 mirror polish finish provided with 8 dimpled holes through integral frame and 1/4-20 x 1/4” TORX head screws for securing to wall mounting plate. Overall size: 10-1/16” x 11-9/16” x 7-1/16” (255 x 290 x 11mm) MODEL 104



ONE PIECE FRAMED MIRROR WITH ROUNDED CORNERS – FRONT MOUNTING

One piece 18 gauge type 304 stainless steel formed mirror with #8 mirror polish finish, integral frame, rounded corners and 6 mounting holes. MODEL 107

ONE PIECE FRAMED MIRROR WITH ROUNDED CORNERS – REAR MOUNTING

(NOT SHOWN) Same as 107 with 6 “T” nuts welded on back for rear mounting. MODEL 108



TOTAL MAINTENANCE SOLUTIONS

SECURITY ACCESSORIES – SECURITY FASTENERS

ONE-WAY TAPPING SCREWS

PART #	SIZE
50300408	8 x 3/4"
50300167	10 x 5/8"
50300165	10 x 3/4"
50300166	10 x 1"



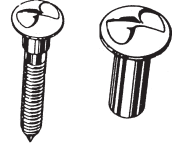
ONE-WAY MACHINE SCREWS

PART NO	SIZE
50300181	8-32 x 3/4"
50300183	8-32 x 1-1/8"
50300186	10-24 x 3/4"
50300228	8-32 Button Head nut
50300222	10-24 One-way slotted nut



ONE-WAY SHOULDER SCREWS & BARREL NUTS
(For toilet partitions and thru-bolt application)

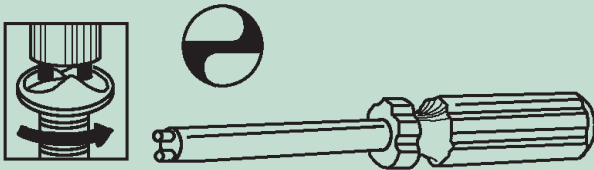
PART #	SIZE
50300217	10-24 x 15/16" shoulder screw (7/8"-1" panel)
50300219	10-24 x 1-5/16" shoulder screw (1-1/4" panel)
50300222	10-24 x 5/8" barrel nut



SECURITY ACCESSORIES – SPECIALTY TOOLS

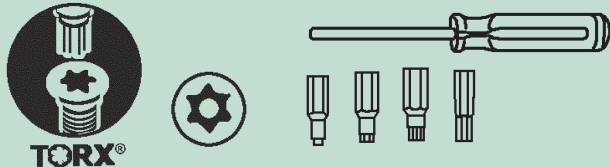
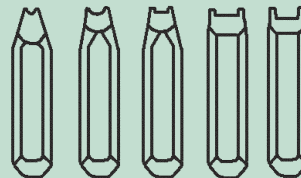
ONE-WAY SCREW REMOVAL TOOLS

PART #	DESCRIPTION
50300225	Removal tool for screw size 4-6-8
50300226	Removal tool for screw size 10-12
50300227	Removal tool for screw size 14, 18, 1/4, 3/8
50300224	Removal tool set



SPANNER DRIVER KIT

Kit contains 1 magnetic hand driver with 5 spanner bits in a vinyl pouch. Bit sizes are 6, 8, 10, 12, & 14.
Part # 20301446

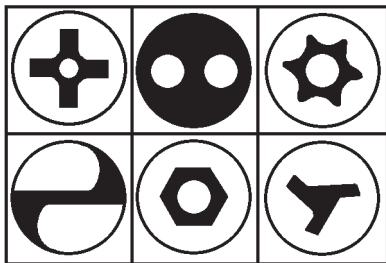


TORX® DRIVER KIT

Kit contains 1 magnetic driver and 4 bits. Bits included are T15, T20, T25, & T30. Bits are stored in handle of driver.
Part # 20301447

Bits for TORX® tamper resistant fasteners are available

SECURITY FASTENERS – TAMPERPROOF FASTENERS



SPANNER SHEET METAL
SPANNER MACHINE
SPANNER NUTS
SPANNER SET SCREWS

PIN HEAD SET SCREWS
BUTTON HEAD SCREWS
TRI-WING SCREWS
SECURITY PHILLIPS

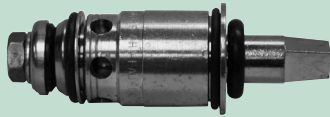
105 PIECE SECURITY/STANDARD SCREWDRIVER BIT SET

This complete set includes security bits to remove tamper resistant screws as well as standard bits for more common fasteners: slotted bits, drywall #2 Phillips bits, square drive bits, Hex SAE bits, clutch bits, security Torx bits, security hex bits and spanner bits. Also includes a heavy duty ratchet screwdriver with forward, reverse, and conventional settings; a magnetic extension bit holder and convenient carry case.

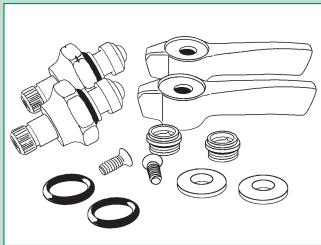
PART # 20300131



FAUCET STEMS



Quatum Stem Units from Chicago Faucets

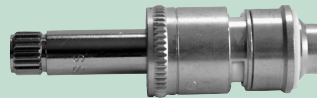


Encore Faucet Repair Kit #1 from CHG
PART # 40110158

- T&S BRASS
- FISHER
- CHG (COMPONENT HARDWARE GROUP)
- CHICAGO FAUCETS

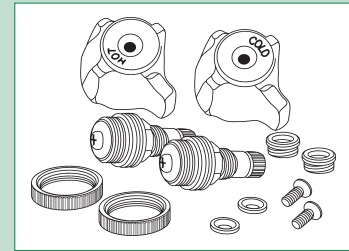
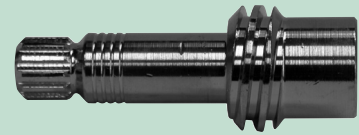


Encore Replacement Cartridges from CHG



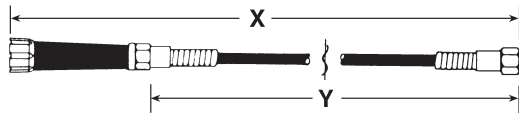
Ceramic cartridges from T&S Brass

Check and Swivel Stems from Fisher



Encore Faucet Repair Kit #2 from CHG
PART # 40120070

PRE-RINSE HOSES IN SIZES FROM 20" TO 80"



CHG

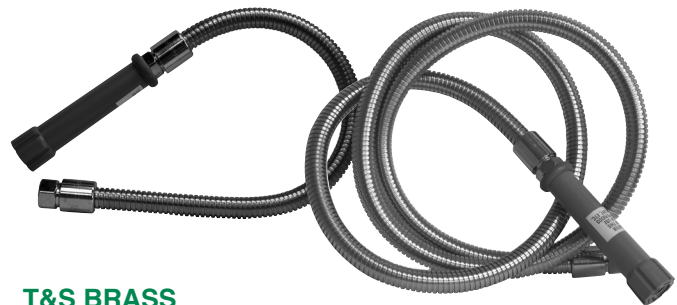
44" Universal pre-rinse hose (X length) PART # 40310016

CHICAGO FAUCETS

44" Flexible S/S hose w/ adapters (X length) PART # 40123054
58" Flexible S/S hose w/ adapters (X length) PART # 40120665

FISHER

15-1/2" Pre-rinse hose (Y length) PART # 40130737
25-1/2" Pre-rinse hose (Y length) PART # 40130738
36" Pre-rinse hose (Y length) PART # 40130739



T&S BRASS

20" Pre-rinse hose (X length) PART # 40160079
26" Pre-rinse hose (X length) PART # 40160109
44" Pre-rinse hose (X length) PART # 40160040
48" Pre-rinse hose (X length) PART # 40160075
68" Pre-rinse hose (X length) PART # 40160106
80" Pre-rinse hose (X length) PART # 40160088
35 ft. Real Kleen replacement hose PART # 40160126

PRE-RINSE VALVES AND REPAIR KITS

CHG

Pre-rinse spray head PART # 40120635
Encore spray head kit PART # 40123055

CHICAGO FAUCETS

Pre-rinse spray head PART # 40121050

FISHER

Ultra spray valve PART # 40130740
Spray valve repair kit PART # 40130741

T&S BRASS

B-107 Spray head PART # 40190038
B-107 Spray head repair kit PART # 40160105
Water Saver spray head PART # 40160091
Spray valve bonnet kit PART # 40160018
Jet Spray Valve 1.48 gpm PART # 40160190
Jet Spray Face Repair Kit PART # 40160194
Jet Spray Valve Repair Kit PART # 40160191





TOTAL MAINTENANCE SOLUTIONS

TOTAL MAINTENANCE SOLUTIONS

FOOD SERVICE

SAMPLE LISTING (CALL US FOR OUR COMPLETE CATALOG)

ROTARY DRAINS: FOR 3-1/2" SINK OPENING, 1-1/2" OR 2" WASTE OUTLET

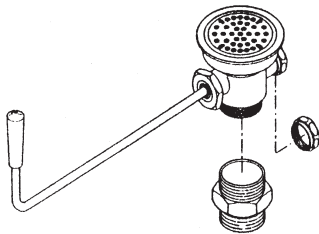
QUIK-FLO ROTARY DRAIN FOR 3-1/2 SINK OPENING, NICKEL PLATED BRASS AND STAINLESS – 1-1/2 OR 2" WASTE OUTLET

- Heavy-duty nickel plated solid brass
- Patented rotary valve provides fast, unobstructed water evacuation
- Twist-lock recessed removable beehive crumb-cup prevents clogging and insures continuous water flow
- Self-adjusting heat and chemical resistant Teflon® seals eliminate costly replacement of O-rings and conventional gaskets
- 3 times the flow rate of conventional lever drains
- Fits standard 3-1/2" (90 mm) sink opening
- Full opening ball valve allows access for snaking or plunging from sink top, eliminating costly service calls

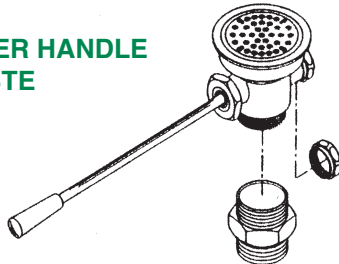


Quik-Flo Rotary Drain, Nickel Plated Brass
PART # 40451230

TWIST HANDLE WASTE



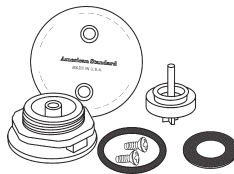
LEVER HANDLE WASTE



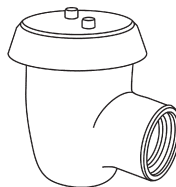
COMMERCIAL SINK STRAINER REBUILD KIT

Contains 1 larger gasket (4.3"OD x 3.5"ID x .124" thick), 1 large gasket (3.8"OD x 3.2"ID x .124" thick), 1 larger plastic friction ring (4.3"OD x 3.5"ID x .124" thick), 1 large plastic friction ring (3.8"OD x 3.2"ID x .124" thick), 1 inner bearing surface, 1 outer bearing surface, 1 S/S washer, 1 S/S clip (not shown), 1 o-ring (fits large stopper plug), 1 small, thin o-ring, 1 slip joint washer and 1 silicone lube (not shown)
PART # 40451001

VACUUM BREAKER REPAIR KITS



AMERICAN STANDARD
PART # 40110057

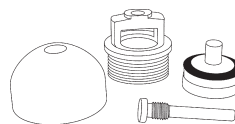


CHICAGO FAUCET
1/2" Vacuum Breaker
PART # 40110067

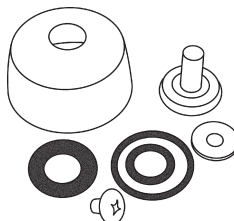
3/8" Vacuum Breaker
PART # 40110068



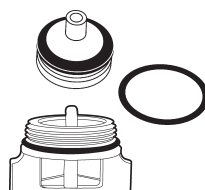
CHICAGO FAUCET
PART # 40111002



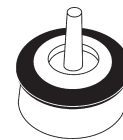
JONES STEPHENS SERVICE SINK
1/2"
PART # 40141405



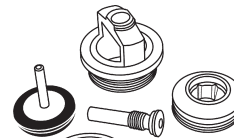
KOHLER
1/2"
PART # 40140121



FISHER
1/2"
PART # 40110233
Less bonnet can sub # 40110050

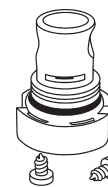


SPEAKMAN NEW STYLE VACUUM BREAKER CHECK ASSEMBLY
PART # 40155850

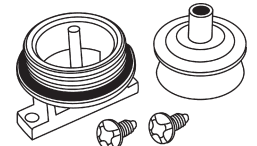


SPEAKMAN VACUUM BREAKER DISC ASSEMBLY

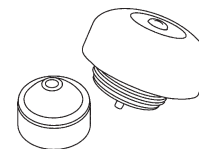
Also fits FIAT and Stern-Williams
PART # 40110040



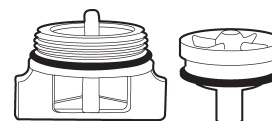
T&S REPAIR KITS
3/8" PART # 40110154 (at left)
1/2" PART # 40110065 (below)



WATTS REGULATOR
3/8" PART # 40110049
1/2" PART # 40110050
3/4" PART # 40110051



ZURN
Mop sink vacuum breaker
PART # 40300174



ZURN REPAIR KITS
3/8" PART # 40291048
1/2" PART # 40291047

Toll Free Telephone: 877/867-8675 • Toll Free Fax: 877/867-8674
www.tms4parts.com

TOTAL MAINTENANCE SOLUTIONS
ALSO AVAILABLE
 FROM TMS



BACKFLOW KITS AND COMPLETE UNITS



FAUCET STEMS AND HANDLES

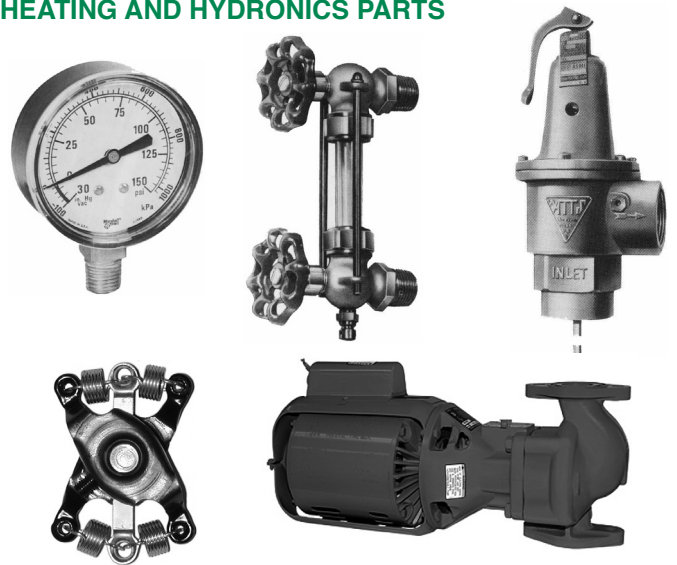


CHEMICALS

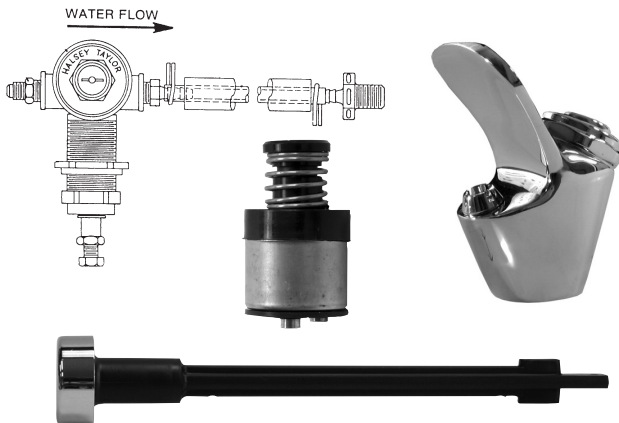
- DRAIN OPENERS
- PASTE-FLUX
- HEAT PROOF GREASE
- PICK PROOF CAULK
- DEGREASERS
- AND MUCH MORE!



HEATING AND HYDRONICS PARTS



DRINKING FOUNTAIN AND WATER COOLER PARTS



HARDWARE SPECIALTIES



Toll Free Telephone: 877/867-8675 • Toll Free Fax: 877/867-8674
www.tms4parts.com



TOTAL MAINTENANCE SOLUTIONS

TOTAL MAINTENANCE SOLUTIONS INDEX

Acorn		Manifold Assembly		F	
Adapto Valve	9	2 Cell and 3 Cell	27	Faucet Repair	
Air-Control	14	No. 1034	28	Logan	62
Check Stop Assembly	14	Manifold Service Parts		Fixtures	1-7
Metering Servomotor	14	No. 1031	27	Acorn Engineering	2, 3, 7
Non-Metering Servomotor	14	No. 1031 (S45-1305)	28	American Standard	1, 3
Air-Trol Valve Assemblies	15, 16, 17	Metering Valve 1021	22	Bradley Corporation	3, 4, 7
Auto-Cloz	13	Retrofit Kit for Model 1020	24	Crane	1
B-10	11	Showerheads	68	Kohler	1
Complete Showerheads	65	Shower Valves		Metcraft	3, 5
Flood-Trol Valve Assembly	17	9052 Hot & Cold Metering Valve	71	Willoughby	3, 6, 7
Institutional Showerheads	64	9056 With Hot & Cold Handitap Valve	72	Flanges	100
Penal Showerhead Assembly	65	Column and Wall Showers	67	Floor-Mounted Toilets	
Penal Showerhead with Flo-Control	65	Compression Shower Valve	66	Vitreous China	3
Logan Adjustable Showerhead	64	Metering Air Valve Repair Parts		Flush Valve Tools	94
Master-Trol	19, 20	2W AST Econowall Shower	73	Food Service	
Solenoid	21	Navigator TMV25	67	Hoses	107
Penal-Matic	13	Navigator TMV45	70	Pre-Rinse	107
Penal-Trol	10, 11	Navigator TMV80	70	Rotary Drains	108
Stop Assemblies	12	Posi-Pak	66	Stems	107
Quick-Cloz	13	Pushbutton Air Valve Parts	73	Vacuum Breaker Repair Kits	108
Shower Valves		Touch'N Flo Valve	66		
Flo-Cloz	61	Super Secure Model 1020	23	G	
Logan Models	62	Super Secure Model 1025	23	Gaskets. <i>See Toilet Parts, Gaskets</i>	
Safty-Trol Valves	63	Stainless Steel			
Single Temp Air-Control	61	Lavatories	4	I	
Sill Cock Assemblies	65	Lav-Toilet Combination Units	4	I-Con Water Management Systems	
Single Temp Air-Trol	18	Toilets & Urinals	4	Rebuild Kits	59
Standard Showerhead #851	64	Brass Spud Parts	53	Institutional Showerheads	
Super Secure Model 1517	9			Metcraft	90
Super Secure Model 1518	9	C		Sloan Act-O-Matic 450	91
Stainless Steel		Central Brass Exposed Shower	74	Sloan Act-O-Matic AC-11	91
Cabinet Shower	3	Complete Flush Valves – Concealed	45	Sloan Act-O-Matic AC-51	91
Drinking Fountains	2	Crane		Speakman	
Floor-Mounted Toilets	3	Parvus	1	2-2285-AF	92
Lavatories	2	Prison Lavatory	30	Adjusta-Spray Model S-2460	92
Lav-Toilet Combination Units	2	Prison Lavatory Stem	30	Water Saver S-2288-AF	92
Toilets & Urinals	2			Symmons	
Wall-Mounted Toilets	3	D		#4-151	92
Wall Shower	3	Delany		Fre-Flo Showerhead	92
Time-Trol	19, 20	Complete Control Stops	48	Willoughby	
Universal Ball Joint	64	Concealed Vacuum Breaker Parts	46	WSH-5D	93
Valve Controller	20	Concealed Valve Handle Parts	48	WSH-7	93
Vitreous China		Control Stop Parts	49	Zurn	
Floor-Mounted Toilets	3	Flushboy Renewal Parts	47, 48	Temp-Gard	93
Wall-Mounted Toilets	3	Flush Valve Tools	48	Temp-Gard w/ Ball Joint	93
American Standard		Hydro-Flush Renewal Parts	46		
Exposed Shower	74	Operating Mechanism Variations	49	K	
Prison Lavatory	1, 22	Delta Commercial/Cambridge Brass.		Kohler	
		<i>See also Metcraft Tempus II</i>		Chardon Lavatory	1
B		Delta Commercial/Cambridge Brass		Institutional Lavatory	32
Basin Wrenches	94	Teck Prison Metering Assembly			
Bradley Corporation		<i>See also Metcraft Tempus II</i>		L	
Air Valve Models 1030 through 1036	24	Teck II Concealed Flushometer	49	Lav-Toilet Combinations	2
B-5 <i>See Super Secure Model 1025</i>				Lawler	
Buba Normally Open Valve	29	E		Shower Valves	
Check Valve Assembly Repair Kit	27	Eljer		802 & 805 High-Low Thermostatic Mixing	
Column Shower and Wall Saver		Prison Lavatory	31	Valve	75
Showerheads	69				
Combination Unit					
Model 5180 through 5195	25, 26				
Complete Valves	29				

TOTAL MAINTENANCE SOLUTIONS INDEX



Leonard		Sloan		W	
Shower Valves		Actuator Repair Kit Cartridge	53	Wall-mounted Toilets	
210 Mixing Valve	76	Concealed Vacuum Breaker Parts	55	Stainless Steel	3
TM-28	78	Crown and Crown II	49	Vitreous China	3
TM-30, 50, 80, 125 and 150	79	Crown Piston Flushometer	49	Waste Connections	
TM-15/20	77	Diaphragm Type Flush Valves	49	Cleanout Plugs with Hook	96
Logan	62	Dual Filtered Inside Parts Kit	49	Closet Bowl Bolts	98
M		Filler Rods	53	Closet Carriers	98
Metcraft Industries		Flush Valve Tools	55	Donuts	97
Anti-Flood Device	36	Hydraulic Repairs	53	Flexible Couplings	97
Bubber/Filler Assemblies	36	Inside Parts – Individual Items	49	No Hub Connections	95
Flow Control Assemblies	35	Inside Parts Kits	49	No-Hub Couplings	97
Flow Control Tee Assemblies	35	Programmed Water Technologies	58	Pinned Cleanout Plugs	96
Pneumatic & Metro-Fit	34	Pushbutton Repair	53	Thru-Wall Extensions	96
Showerheads <i>See</i> Institutional Showerheads		PWT. <i>See</i> Programmed Water Technologies		Toilet Connections and Hardware	98
Stainless Steel		Showerheads <i>See</i> Institutional Showerheads		Trap Drain Adapters	98
Drinking Fountain	5	Shower Systems	59	Willoughby	
Lavatory	5	Tailpiece Assemblies	53	Checkstop/Strainer Assembly	42
Toilet-Lavatory Combination Unit	5	Vacuum Breaker Parts	53	Diaphragm Pushbutton Pump	42
Toilets	5	Washer Set	49	Dual Temp Metering Valve	37
Urinals	5	Sloan/I-CON Cross Reference	59	Dual Temp Pneumatic Metering Valve	39
Tempus II	33	Speakman Showerheads		Flush Actuator Assembly Panel Mounted	44
P		<i>See</i> Institutional Showerheads		Mechanical Metering Dual Temp Lavatory	37
Pipe Wrenches	94	Spud Parts. <i>See also</i> Brass Spud Parts		Metering Cartridge	41
Pipe Wrench Pliers	94	Spuds, Brass	100	Model T-4 (Top-Four-B) Overflow Preventer	43
Polyethylene Tubing	8	Symmons		PM Series Pneumatic Valve	42
Polyurethane Tubing	8	Shower Valves		PS1/PM1 Single Temp Pneumatic Valve	40
Powers		Hydapipe	89	PS2/PM2 Dual Temp Pneumatic Valve	40
Shower Valves		SafetyMix, Safety Mix'ette and Temptrol	86	Pushbutton Pump	42
Hydroguard 420UTC	83	Showerheads <i>See</i> Institutional Showerheads		SC1/ME1 Single Temp Mechanical Valve	40
Hydroguard 430 Series	81	Showeroff 60	85	SC2/ME2 Dual Temp Mechanical Valve	40
Hydroguard 1432 and 1434	82	Showeroff 80	85	SC Modified for China Lavatory	38
Hydroguard Angle Stop Check	83	Stop Parts – Exposed SafetyMix	86	Security Diverter Valve	44
Hydroguard Straight Stop Check	83	Stop Parts – Temptrol Valve	86	Self-Closing Cartridge	41
Hydroguard XP Series MM430	84	TempControl	86	Showerheads <i>See</i> Institutional Showerheads	
Hydroguard XP Series MM435		Temptrol	87, 88	Single Temperature Pneumatic	
and LFM435	84	Thermixer	90	Metering Valve	39
R		T		Stainless Steel	
Replaceware	7	Toilet Parts		Detox/Floor Fixtures	6
Rotary Drains	108	Gaskets	99	Lavatories	6
S		Toilets		Toilet-Lavatory Combinations	6
Saws & Blades	94	Stainless Steel	2	Toilets	6
Screwdrivers	94	Tools		Urinals	6
Security Accessories	102	Basin Wrenches	94	Top-Four Assembly Detail	42
Book Shelves	104	Flush Valve Tools	94	WMRV Retrofit Valve Assembly	40
Fasteners	106	Pipe Wrenches	94	Z	
Framed Mirrors	105	Pipe Wrench Pliers	94	Zurn	
Grab Bars	103	Saws and Blades	94	AquaFlush Diaphragm Kit	57
Hooks	104	Screwdrivers	94	Aquavantage Flush Valves	
Mirrors	103	Tubing Cutters	94	Exposed and Concealed	56
Recessed Items	103	Tubing. <i>See</i> Polyethylene tubing for water; <i>See</i>		Inside Parts Kits	57
Showerheads <i>See</i> Institutional Showerheads		Polyurethane Tubing for air			
		Tubing Cutters	94		
		Tubular	100, 101, 102		
		V			
		Vacuum Breaker Repair Kits	108		
		Vitreous China	1		